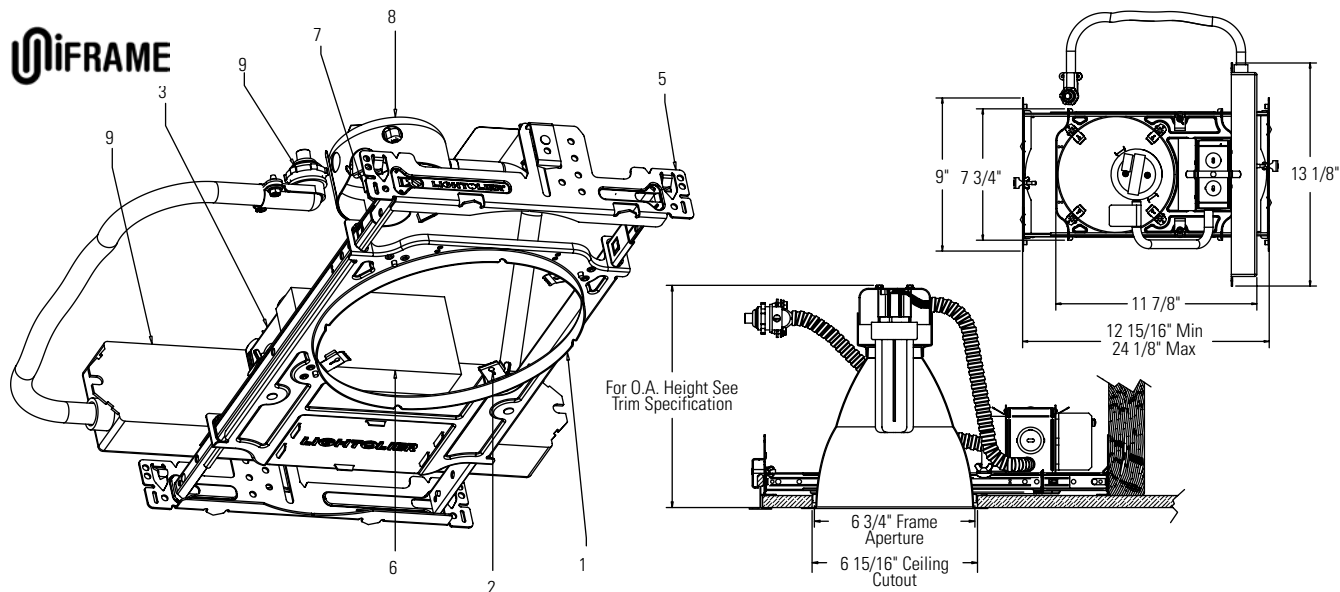


# Lytecaster® Performance Recessed CFL Downlighting **1101FEL**

Page 1 of 1

6 3/4" Aperture, 1 Light, Compact Fluorescent, Non-IC, Hi Lumen, Emergency, Frame-In Kit



Complete Fixture consists of Frame-In Kit and Reflector Trim. Select each separately.

UniFrame™ Frame-In Kit	UniFrame™ Compact Fluorescent Performance Series Reflector Trims		
	Vertical Open	Horizontal Open	Horizontal Wet Location Lensed
<b>1101F2642UEL</b> 26w Quad/Triple, GX24q-3 Base 120v – 0.33amp max 277v – 0.14amp max	<b>1101CLIE</b> <b>1101CDIE</b>	<b>1101HCLIE</b> <b>1101HCDIE</b>	<b>1101HCLCIE</b> (Clear Lens) <b>1101HCFDIE</b> (Fresnel Lens)
32w Triple, GX24q-3 Base 120v – 0.40amp max 277v – 0.17amp max	<b>Universal Series Reflector Trims</b>		
42w Triple, GX24q-4 Base 120v – 0.53amp max 277v – 0.23amp max	Cone		
	1113IE 1113CDIE 1113WHIE		

## Features

- Mounting Frame:** .036" (#20ga.) Galvanized Steel. Accommodates all ceilings up to 1-1/2" thick.
- Trim Clips:** "Push In / Twist Out" Stainless Steel clips hold reflector flush to ceiling.
- Junction Box:** 2" x 4" x 3-1/2" (22cu.in.) .032" (#22ga.) galvanized steel. UL Listed for maximum of 8 (#12ga.) through branch circuit conductors.
- UniFrame™ Mounting System – Grid Ceiling:** Tool free mounting in grid ceilings. .036" (20ga.) Galvanized Steel interlocking slide bars adjust to 24-1/8" long accommodating 24" O.C. Ceiling Grid. Adjustable speed clamps for positive attachment to grid ceiling systems.
- UniFrame™ Mounting System – Wood Joist Ceiling:** Integral nailing tabs, alignment guides, fastener holes and bendable strapping guides for wood joist installation. Galvanized Steel interlocking slide bars adjust from 12-15/16" to 24-1/8" long to accommodate 16" and 24" O.C. joist spacing, with or without strapping.
- Ballast:** 120V – 277V UL Listed Electronic Ballast, end of lamp life protection, class "P" thermally protected, class "A" sound rating.
- Socket:** Four-pin base, molded thermoplastic socket, prewired with No. 18 AWM leads to ballast.
- Socket Housing:** .036" (#20ga.) Galvanized Steel housing attaches to reflector trim by spring clip for precise optic alignment.
- Emergency Battery:** High lumen output. 90 minute battery backup, complete with integrated test switch.

## Average Lumen Output with Battery Pack

Lamp	Lumen Output (1 Lamp)
26W CF Quad 4-Pin	725*
32W CF Quad 4-Pin	1050*
42W CF Quad 4-Pin	1300*

\* Manufacturers Specifications

**Labels:** cULus Listed.

**Accessories:** 1967A Extra Thick Ceiling Adapter (up to 2" thk)

Job Information	Type:
<b>Job Name:</b>	
<b>Cat. No.:</b>	
<b>Lamp(s):</b>	
<b>Notes:</b>	

Lightolier a Genlyte company www.lightolier.com  
 631 Airport Road, Fall River, MA 02720 • (508) 679-8131 • Fax (508) 674-4710  
 We reserve the right to change details of design, materials and finish.  
 © 2007 Genlyte Group LLC • A1107

## Free Manuals Download Website

<http://myh66.com>

<http://usermanuals.us>

<http://www.somanuals.com>

<http://www.4manuals.cc>

<http://www.manual-lib.com>

<http://www.404manual.com>

<http://www.luxmanual.com>

<http://aubethermostatmanual.com>

Golf course search by state

<http://golfingnear.com>

Email search by domain

<http://emailbydomain.com>

Auto manuals search

<http://auto.somanuals.com>

TV manuals search

<http://tv.somanuals.com>