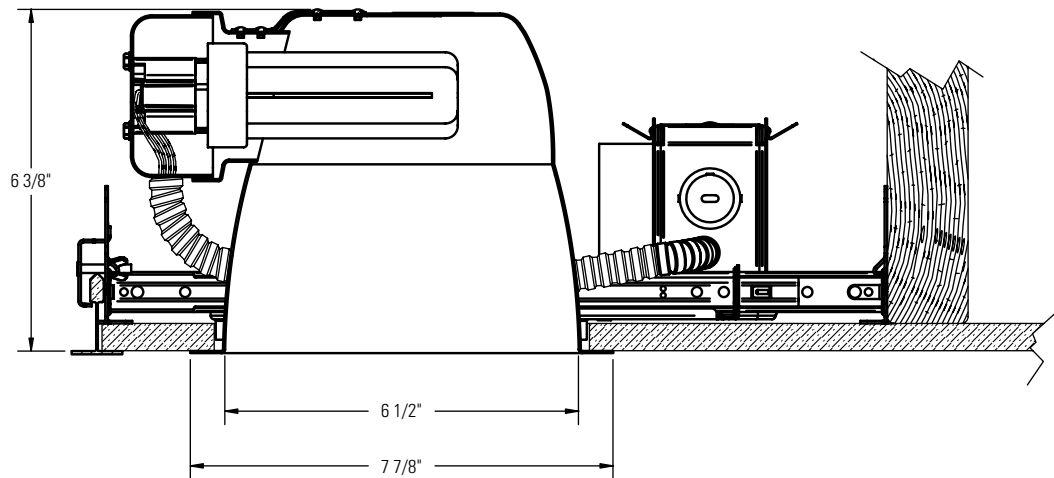


Lytecaster® Performance Recessed CFL Downlighting **1101H**

Page 1 of 2

6 3/4" Aperture Horizontal Open, Compact Fluorescent, Performance Series, Reflector Trim



Complete Fixture consists of Frame-In Kit and Reflector Trim. Select each separately.

| Uniframe™ Compact Fluorescent Performance Series Reflector Trims | | Compatible Frame-In Kits (See Individual Frame-In Kit Specification Sheets) | | |
|--|---|--|---|-------------------------------|
| Catalog No. | Description | Catalog No. | Installation Type | Lamping |
| 1101HCL | 6-3/4" Horizontal Open Downlight – Specular Clear | 1101F18U | Uniframe™ Non-IC 120/277v | 18w Quad/Triple |
| 1101HCD | 6-3/4" Horizontal Open Downlight – Clear Diffuse | 1101FR18U | Uniframe™ Non-IC Remodeler 120/277v | |
| 1101HWH | 6-3/4" Horizontal Open Downlight – Matte White | 1101FD26L1 | Uniframe™ Non-IC Lutron Dimming 120v | 26w Quad/Triple |
| | | 1101FD26L2 | Uniframe™ Non-IC Lutron Dimming 277v | |
| | | 1101FD32L1 | Uniframe™ Non-IC Lutron Dimming 120v | 32w Triple |
| | | 1101FD32L2 | Uniframe™ Non-IC Lutron Dimming 277v | |
| | | 1101F2642U | Uniframe™ Non-IC 120/277v | 26w Quad/Triple |
| | | 1101FR2642U | Uniframe™ Non-IC Remodeler 120/277v | 32w Triple |
| | | 1101F2642UEM | Uniframe™ Non-IC Emergency 120/277v | 42w Triple |
| | | 1101FD2642MX1 | Uniframe™ Non-IC Advance Mark10 Dimming 120v | |
| | | 1101FD2642MX2 | Uniframe™ Non-IC Advance Mark10 Dimming 277v | |
| | | 1101FD2642M7U | Uniframe™ Non-IC Advance Mark7 Dimming 120/277v | |
| | | 1101F18ICU/N | Performance IC 120/277v | 18w Quad/Triple |
| | | 1101F2642ICU | Performance IC 120/277v | 26w Quad/Triple |
| | | 1101F2642IUN | | 32w Triple 42w Triple |
| | | 1101FDICMX1/N | Performance IC Advance Mark10 Dimming 120v | 26w Quad/Triple 32w Triple |
| | | 1101FDICMX2/N | Performance IC Advance Mark10 Dimming 277v | 26w Quad/Triple 32w Triple |

Features

- Reflector:** Formed aluminum. Matte White flange.
- Finishes:** CL = Specular Clear (Iridescent Free coating)
CD = Clear Diffuse
WH = Matte White Paint
- Performance Data:** 60° Cutoff angle.
See attached photometric reports for distribution and efficiency data.
Go to www.lightolier.com for .IES files.

Labels

cULus Listed. Suitable for Damp Locations. I.B.E.W.

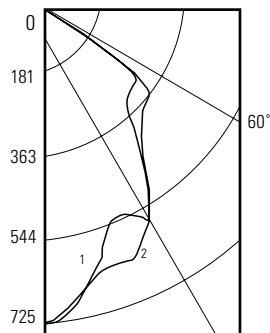
| Job Information | Type: |
|------------------|-------|
| Job Name: | |
| Cat. No.: | |
| Lamp(s): | |
| Notes: | |

Lightolier a Genlyte company www.lightolier.com
 631 Airport Road, Fall River, MA 02720 • (508) 679-8131 • Fax (508) 674-4710
 We reserve the right to change details of design, materials and finish.
 © 2007 Genlyte Group LLC • C1007

Lytecaster® Performance Recessed CFL Downlighting **1101H**

Page 2 of 2 6 3/4" Aperture Horizontal Open, Compact Fluorescent, Performance Series, Reflector Trim

32W TRIPLE TUBE LAMP, LUMEN RATING = 2200 LMS, ELECTRONIC BALLAST, CL FINISH TRIM



SC = 1.1 1 = 90° 30°
 2 = 0°
 CERTIFIED TEST REPORT NO. 3166FR
 COMPUTED BY LSI PROGRAM
 TEST-LITE

| CANDLEPOWER SUMMARY | | | ZONAL LUMEN SUMMARY | | ZONAL LUMENS AND PERCENTAGES | | | |
|---------------------|-------|--------|---------------------|--------|------------------------------|---------|-------|-------|
| Angle | 0° CP | 90° CP | Zone | Lumens | Zone | Lumens | %Lamp | %Fixt |
| 0 | 720 | 720 | 0-10 | 68.47 | 0-30 | 516.68 | 23.5 | 38 |
| 5 | 722 | 725 | 10-20 | 181.71 | 0-40 | 827.14 | 37.6 | 60.9 |
| 10 | 689 | 697 | 20-30 | 266.5 | 0-60 | 1337.28 | 60.8 | 98.5 |
| 15 | 641 | 633 | 30-40 | 310.46 | 0-90 | 1357.97 | 61.7 | 100 |
| 20 | 626 | 558 | 40-50 | 281.1 | 90-120 | 0 | 0 | 0 |
| 25 | 621 | 535 | 50-60 | 229.04 | 90-150 | 0 | 0 | 0 |
| 30 | 573 | 569 | 60-70 | 13.53 | 90-180 | 0 | 0 | 0 |
| 35 | 492 | 483 | 70-80 | 4.17 | 0-180 | 1357.97 | 61.7 | 100 |
| 40 | 416 | 399 | 80-90 | 2.98 | | | | |
| 45 | 383 | 336 | 90-100 | 0 | | | | |
| 50 | 366 | 321 | 100-110 | 0 | | | | |
| 55 | 318 | 306 | 110-120 | 0 | | | | |
| 60 | 42 | 44 | 120-130 | 0 | | | | |
| 65 | 9 | 9 | 130-140 | 0 | | | | |
| 70 | 5 | 6 | 140-150 | 0 | | | | |
| 75 | 4 | 4 | 150-160 | 0 | | | | |
| 80 | 3 | 3 | 160-170 | 0 | | | | |
| 85 | 2 | 3 | 170-180 | 0 | | | | |
| 90 | 2 | 3 | | | | | | |

** Efficiency = 61.7% **

| Ceiling | COEFFICIENTS OF UTILIZATION | | | | | | | | | | |
|---------|---|----|----|----|-----|----|-----|----|-----|----|----|
| | 80% | | | | 70% | | 50% | | 30% | | 0 |
| Wall | 70 | 50 | 30 | 10 | 50 | 10 | 50 | 10 | 50 | 10 | 0 |
| RCR | Zonal Cavity Method - Effective Floor Reflectance = 20% | | | | | | | | | | |
| 0 | 73 | 73 | 73 | 73 | 72 | 72 | 69 | 69 | 66 | 66 | 62 |
| 1 | 69 | 67 | 65 | 63 | 65 | 62 | 63 | 60 | 61 | 58 | 55 |
| 2 | 64 | 60 | 57 | 54 | 59 | 54 | 57 | 52 | 55 | 51 | 49 |
| 3 | 59 | 54 | 50 | 47 | 53 | 47 | 52 | 46 | 50 | 45 | 43 |
| 4 | 55 | 49 | 44 | 41 | 48 | 41 | 47 | 40 | 45 | 40 | 38 |
| 5 | 51 | 44 | 40 | 36 | 44 | 36 | 42 | 36 | 41 | 35 | 34 |
| 6 | 48 | 40 | 36 | 32 | 40 | 32 | 39 | 32 | 38 | 34 | 31 |
| 7 | 44 | 37 | 32 | 29 | 36 | 29 | 35 | 28 | 35 | 31 | 28 |
| 8 | 41 | 34 | 29 | 26 | 33 | 26 | 33 | 26 | 32 | 28 | 26 |
| 9 | 39 | 31 | 27 | 23 | 31 | 23 | 30 | 23 | 30 | 26 | 23 |
| 10 | 36 | 29 | 24 | 21 | 29 | 21 | 28 | 21 | 27 | 24 | 21 |

Determined In Accordance With Current IES Published Procedures
 Luminaire Input Watts = 33.0

Job Information **Type:**

Lightolier a Genlyte company www.lightolier.com
 631 Airport Road, Fall River, MA 02720 • (508) 679-8131 • Fax (508) 674-4710
 We reserve the right to change details of design, materials and finish.
 © 2007 Genlyte Group LLC • C1007

Free Manuals Download Website

<http://myh66.com>

<http://usermanuals.us>

<http://www.somanuals.com>

<http://www.4manuals.cc>

<http://www.manual-lib.com>

<http://www.404manual.com>

<http://www.luxmanual.com>

<http://aubethermostatmanual.com>

Golf course search by state

<http://golfingnear.com>

Email search by domain

<http://emailbydomain.com>

Auto manuals search

<http://auto.somanuals.com>

TV manuals search

<http://tv.somanuals.com>