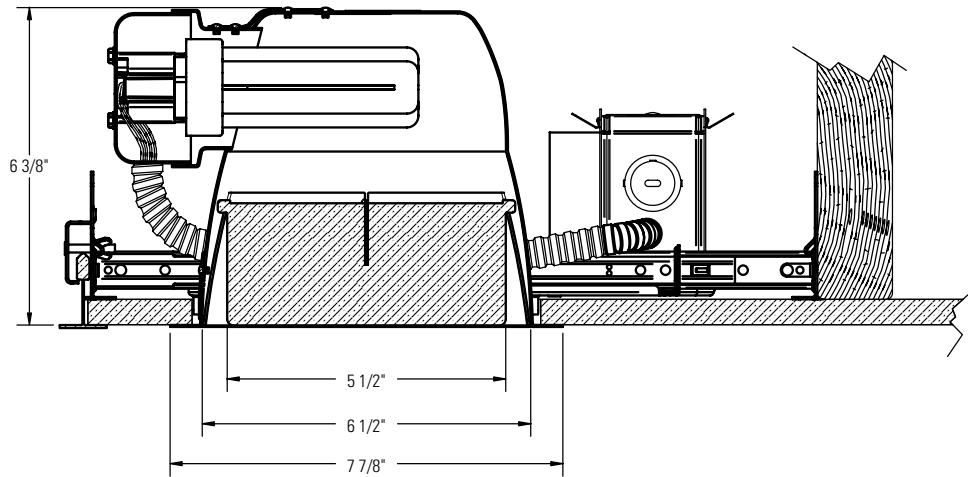


Lytecaster® Performance Recessed CFL Downlighting **1101HCB**



Complete Fixture consists of Frame-In Kit and Reflector Trim. Select each separately.

Uniframe™ Compact Fluorescent Performance Series Reflector Trims		Compatible Frame-In Kits (See Individual Frame-In Kit Specification Sheets)		
Catalog No.	Description	Catalog No.	Installation Type	Lamping
1101HACB	6-3/4" Horizontal Shielded Cross Blade – Aluminum	1101F18U 1101FR18U	Uniframe™ Non-IC 120/277v Uniframe™ Non-IC Remodeler 120/277v	18w Quad/Triple
1101HWHCB	6-3/4" Horizontal Shielded Cross Blade – Matte White	1101FD26L1 1101FD26L2	Uniframe™ Non-IC Lutron Dimming 120v Uniframe™ Non-IC Lutron Dimming 277v	26w Quad/Triple
		1101FD32L1 1101FD32L2	Uniframe™ Non-IC Lutron Dimming 120v Uniframe™ Non-IC Lutron Dimming 277v	32w Triple
		1101F2642U 1101FR2642U 1101F2642UEM 1101FD2642MX1 1101FD2642MX2 1101FD2642M7U	Uniframe™ Non-IC 120/277v Uniframe™ Non-IC Remodeler 120/277v Uniframe™ Non-IC Emergency 120/277v Uniframe™ Non-IC Advance Mark10 Dimming 120v Uniframe™ Non-IC Advance Mark10 Dimming 277v Uniframe™ Non-IC Advance Mark7 Dimming 120/277v	26w Quad/Triple 32w Triple 42w Triple
		1101F18ICU/N	Performance IC 120/277v	18w Quad/Triple
		1101F2642ICU 1101F2642IUN	Performance IC 120/277v	26w Quad/Triple 32w Triple 42w Triple
		1101FDICMX1/N	Performance IC Advance Mark10 Dimming 120v	26w Quad/Triple 32w Triple
		1101FDICMX2/N	Performance IC Advance Mark10 Dimming 277v	26w Quad/Triple 32w Triple

Features

- Reflector:** Formed aluminum. Matte White flange.
- Finishes:** WH = Matte White Paint
A = Aluminum Paint
- Cross Blade:** .050" thick aluminum "floating" cross blade painted white or aluminum.
- Performance Data:** 60° Cutoff angle.
See attached photometric reports for distribution and efficiency data.
Go to www.lightolier.com for .IES files.

Labels

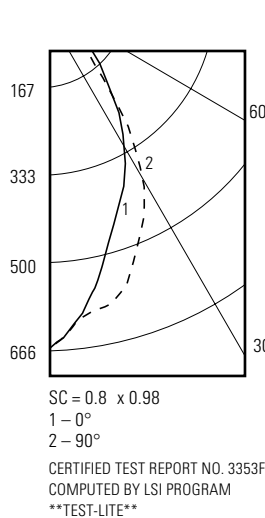
cULus Listed. Suitable for Damp Locations. I.B.E.W.

Job Information	Type:
Job Name:	
Cat. No.:	
Lamp(s):	
Notes:	

Lightolier a Genlyte company www.lightolier.com
 631 Airport Road, Fall River, MA 02720 • (508) 679-8131 • Fax (508) 674-4710
 We reserve the right to change details of design, materials and finish.
 © 2007 Genlyte Group LLC • C1007

Lytecaster® Performance Recessed CFL Downlighting **1101HCB**

32W TRIPLE TUBE LAMP, LUMEN RATING = 2200 LMS, ELECTRONIC BALLAST, WHITE CROSS BLADE

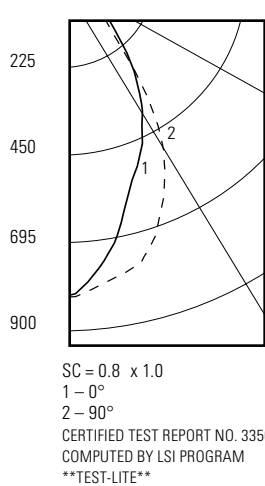


CANDLEPOWER SUMMARY			ZONAL LUMEN SUMMARY		ZONAL LUMENS AND PERCENTAGES			
Angle	0° CP	90° CP	Zone	Lumens	Zone	Lumens	%Lamp	%Fixt
0	666	666	0-10	59.95	0-30	390.66	17.8	47.9
5	635	637	10-20	147.91	0-40	550.53	25	67.5
10	572	597	20-30	183.79	0-60	726.61	33	89.1
15	494	582	30-40	159.87	0-90	815.38	37.1	100
20	432	528	40-50	103.2	90-120	0	0	0
25	383	468	50-60	72.98	90-130	0	0	0
30	324	401	60-70	50.18	90-150	0	0	0
35	263	287	70-80	28.8	90-180	815.38	37.1	100
40	193	177	80-90	9.7				
45	142	116	90-100	0				** Efficiency = 37.1% **
50	106	97	100-110	0				
55	80	80	110-120	0				
60	64	64	120-130	0				
65	51	51	130-140	0				
70	39	39	140-150	0				
75	27	28	150-160	0				
80	17	18	160-170	0				
85	8	9	170-180	0				
90	5	5						

COEFFICIENTS OF UTILIZATION														
Ceiling	80%				70%				50%				30%	
	Wall	70	50	30	10	50	10	50	10	50	10	50	10	0
RCR	Zonal Cavity Method - Effective Floor Reflectance = 20%													
Room Cavity Ratio	0	44	44	44	44	43	43	41	41	39	39	37	37	37
	1	41	40	38	37	39	37	37	36	36	34	33	33	33
	2	38	36	34	32	35	32	34	31	33	30	29	29	29
	3	36	32	30	28	35	32	28	31	27	30	26	26	26
	4	33	30	27	25	29	25	28	24	27	26	23	23	23
	5	31	27	24	22	27	22	26	22	25	22	21	21	21
	6	29	25	22	20	25	20	24	20	23	20	19	19	19
	7	27	23	20	18	23	18	22	18	22	18	17	17	17
	8	26	21	19	17	21	17	21	17	20	17	16	16	16
	36	24	20	17	16	20	16	19	16	19	15	15	15	15
	10	23	19	16	15	19	14	18	14	18	14	14	14	14

Determined In Accordance With Current IES Published Procedures
 Luminaire Input Watts = 35

42W TRIPLE TUBE LAMP, LUMEN RATING = 3200 LMS, ELECTRONIC BALLAST, WHITE CROSS BLADE



CANDLEPOWER SUMMARY			ZONAL LUMEN SUMMARY		ZONAL LUMENS AND PERCENTAGES			
Angle	0° CP	90° CP	Zone	Lumens	Zone	Lumens	%Lamp	%Fixt
0	816	816	0-10	73.64	0-30	498.04	15.6	47.7
5	778	801	10-20	188.16	0-40	701.05	21.9	67.2
10	701	774	20-30	236.24	0-60	929.8	29.1	89.1
15	604	751	30-40	203	0-90	1043.73	32.6	100
20	526	688	40-50	134.48	90-120	0	0	0
25	466	599	50-60	94.28	90-130	0	0	0
30	394	503	60-70	64.6	90-150	0	0	0
35	325	369	70-80	36.97	90-180	1043.73	32.6	100
40	249	232	80-90	12.35				** Efficiency = 32.6% **
45	185	154	90-100	0				
50	136	124	100-110	0				
55	104	102	110-120	0				
60	82	82	120-130	0				
65	65	65	130-140	0				
70	50	49	140-150	0				
75	35	35	150-160	0				
80	22	22	160-170	0				
85	11	11	170-180	0				
90	2	4						

COEFFICIENTS OF UTILIZATION														
Ceiling	80%				70%				50%				30%	
	Wall	70	50	30	10	50	10	50	10	50	10	50	10	0
RCR	Zonal Cavity Method - Effective Floor Reflectance = 20%													
Room Cavity Ratio	0	39	39	39	39	38	38	36	36	35	35	33	33	33
	1	36	35	34	33	34	32	33	31	32	30	29	29	29
	2	34	31	30	28	31	28	30	27	29	27	25	25	25
	3	31	29	26	25	28	24	27	24	26	24	23	23	23
	4	29	26	24	22	26	22	25	21	24	21	20	20	20
	5	27	24	21	20	23	19	21	19	20	19	18	18	18
	6	26	22	19	18	22	18	21	17	21	17	17	17	17
	7	24	20	18	16	20	16	20	16	19	16	15	15	15
	8	23	19	16	15	19	15	18	15	18	15	14	14	14
	36	21	18	15	14	17	14	17	14	17	14	13	13	13
	10	20	16	14	13	16	13	16	13	16	13	12	12	12

Determined In Accordance With Current IES Published Procedures
 Luminaire Input Watts = 47

Job Information **Type:**

Lightolier a Genlyte company www.lightolier.com
 631 Airport Road, Fall River, MA 02720 • (508) 679-8131 • Fax (508) 674-4710
 We reserve the right to change details of design, materials and finish.
 © 2007 Genlyte Group LLC • C1007



Free Manuals Download Website

<http://myh66.com>

<http://usermanuals.us>

<http://www.somanuals.com>

<http://www.4manuals.cc>

<http://www.manual-lib.com>

<http://www.404manual.com>

<http://www.luxmanual.com>

<http://aubethermostatmanual.com>

Golf course search by state

<http://golfingnear.com>

Email search by domain

<http://emailbydomain.com>

Auto manuals search

<http://auto.somanuals.com>

TV manuals search

<http://tv.somanuals.com>