

READ AND UNDERSTAND THESE INSTRUCTIONS BEFORE INSTALLING FIXTURE.

This fixture is intended for installation in accordance with the National Electrical Code and local or Federal code specifications. To assure full compliance with codes and regulations, check with your local electrical inspector before installation. To prevent electric shock, turn off electricity at fuse box before proceeding.

Retain these instructions for maintenance reference.

INSTRUCTION SHEET NO.

IS:1102TH1R

B0600

Page 1 of 2

**INSTALLATION PROCEDURE FOR REMODELER KITS 1102TH1R, 1102TH2R
FOR USE WITH 1102T SERIES TRIMS ONLY**

MAXIMUM CEILING THICKNESS - (1) INCH

WARNING: (RISK OF FIRE) DO NOT INSTALL INSULATION WITHIN 3" OF FIXTURE SIDES OR WIRING COMPARTMENT, NOR ABOVE FIXTURE IN SUCH A MANNER SO AS TO ENTRAP HEAT

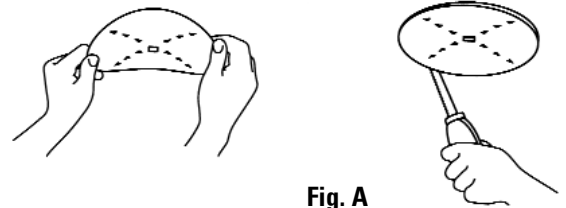


Fig. A

1. CUT OPENING (Fig.A)

Use aperture sticker provided as a template to cut a hole in the ceiling. Cut to outside edge of sticker.

2. WIRE- IN (Fig. B)

WHITE FIXTURE LEAD to NEUTRAL SUPPLY LEAD; BLACK FIXTURE LEAD to HOT (120V) SUPPLY LEAD; BARE FIXTURE WIRE to SUPPLY GROUND. Use wirenuts (local hardware item). Place all electrical connections in the J-BOX. Attach J-BOX COVER onto J-BOX. (For CABLE, use built-in CABLE CLAMP in J-BOX.)

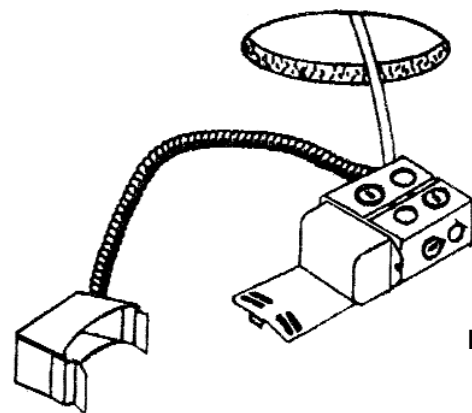


Fig. B

3. ATTACH J-BOX (Fig. C, D, & E)

1. Place J-BOX PLATE onto ceiling and push NAIL TAB into ceiling.
2. Push LONG LEGS of NAIL CLIPS (supplied in parts bag) into RAISED BUMP of J-BOX PLATE and SHORT LEG into ceiling. (FIG. E)



Fig. C

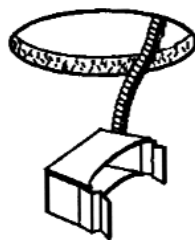


Fig. D

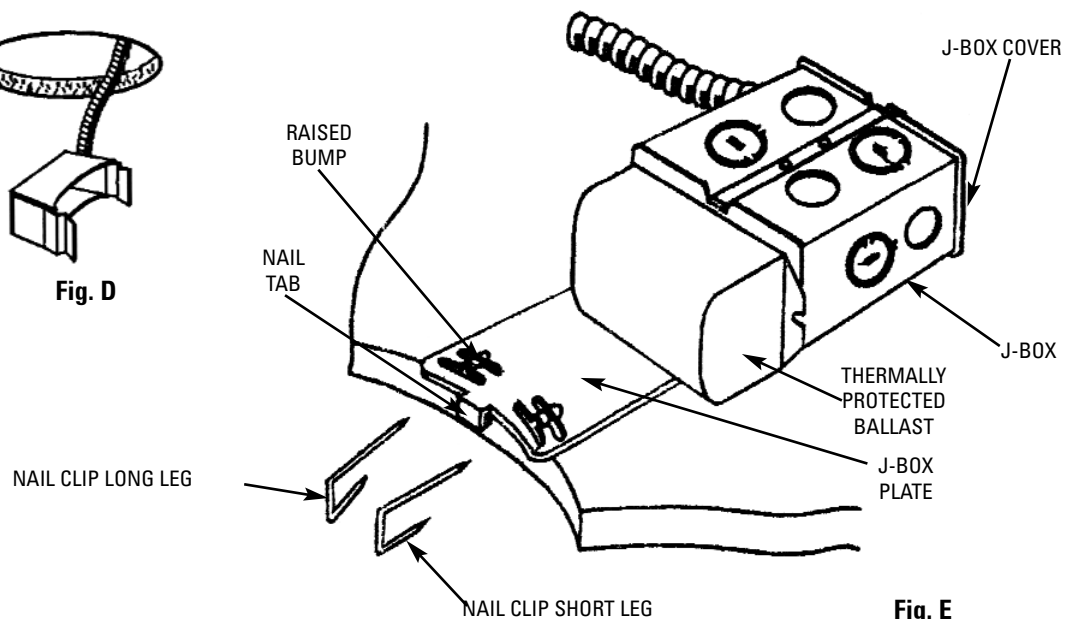


Fig. E

LIGHTOLIER®

LIGHTOLIER a GENLYTE THOMAS company
631 Airport Road, Fall River MA 02720

© 2000

READ AND UNDERSTAND THESE INSTRUCTIONS BEFORE INSTALLING FIXTURE.

This fixture is intended for installation in accordance with the National Electrical Code and local or Federal code specifications. To assure full compliance with codes and regulations, check with your local electrical inspector before installation. To prevent electric shock, turn off electricity at fuse box before proceeding.

Retain these instructions for maintenance reference.

4. ATTACH MOUNTING RING (FIG. F & G)

Push MOUNTING RING into opening until FLANGE sits against ceiling. Slide MOUNTING STRIOPS down to trap ceiling thickness and then bend up to secure.

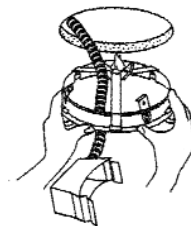


FIG. F

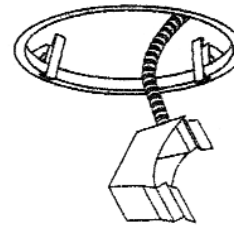
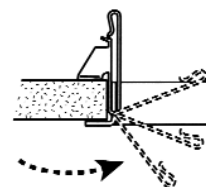
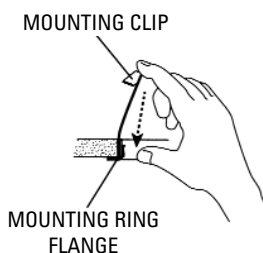


FIG. G



5. PULL-THRU (FIG. H)

6. PUSH-UP (FIG. I)

7. SNAP-IN (FIG. J)
SEE SEPRATE REFLECTOR TRIM INSTRUCTION SHEET



FIG. H

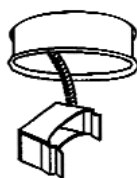


FIG. I

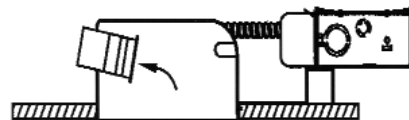


FIG. J

INSTRUCTION FOR BALLAST REPLACEMENT

BALLAST REPLACEMENT

1. TURN POWER OFF
2. Remove REFLECTOR TRIM from ceiling (see REFLECTOR TRIM instructions).
3. Remove BALLAST ASSEMBLY by lifting SPRING on top of J-BOX and pull BALLAST outward. (Fig. K)
4. Disconnect all wiring.
5. Remove BALLAST ASSEMBLY from J-BOX by pulling SPRING upward.
6. Remove BALLAST ASSEMBLY through ceiling opening.
7. Disassemble (2) locknuts which held BALLAST to J-BOX COVER. (Notice orientation of two MOUNTING FINGERS on bottom and one MOUNTING TAB on top of COVER. They are on the opposite (inside) surface of the door from which BALLAST is mounted.)
8. Replace old BALLAST with new BALLAST and lock with locknuts.
9. Reassemble new BALLAST ASSEMBLY to J-BOX by replacing TABS into SLOTS on frame, snap onto SPRING.
10. Rewire Fixture. (SEE WIRING DIAGRAM ON BALLAST LABEL.)

BALLAST ASSEMBLY

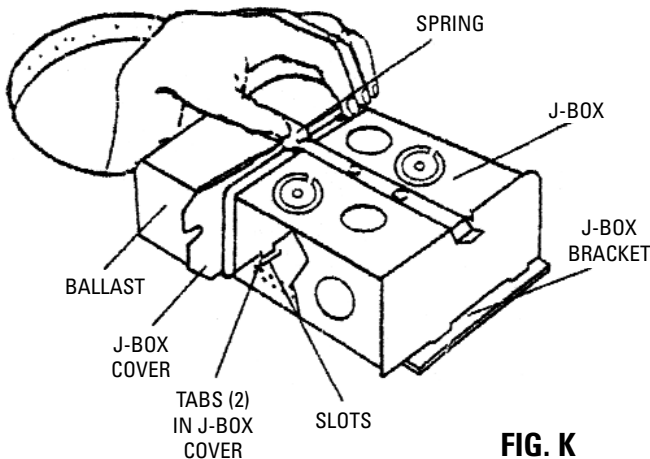


FIG. K

Free Manuals Download Website

<http://myh66.com>

<http://usermanuals.us>

<http://www.somanuals.com>

<http://www.4manuals.cc>

<http://www.manual-lib.com>

<http://www.404manual.com>

<http://www.luxmanual.com>

<http://aubethermostatmanual.com>

Golf course search by state

<http://golfingnear.com>

Email search by domain

<http://emailbydomain.com>

Auto manuals search

<http://auto.somanuals.com>

TV manuals search

<http://tv.somanuals.com>