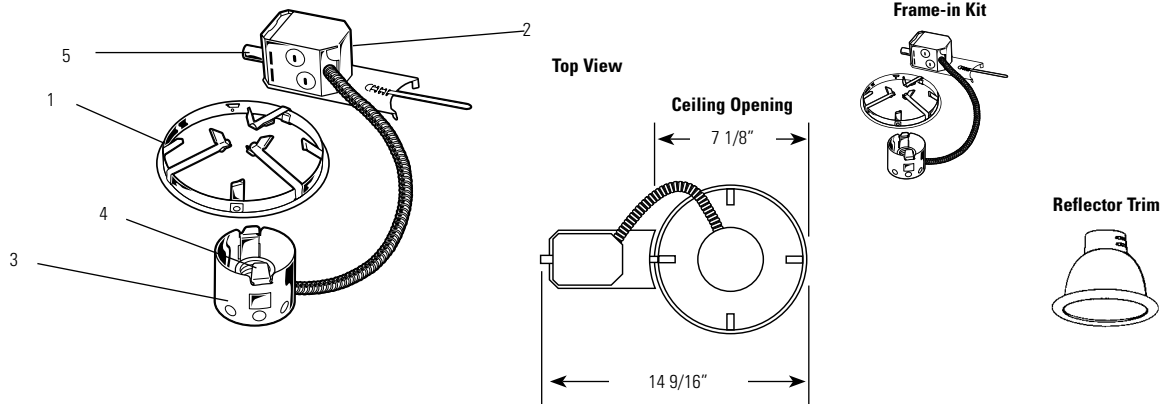


# Lytecaster® Recessed Downlighting **1103R**



Complete Fixture consists of Reflector Trim & Fram In Kit. Select each separately.

Frame-In Kit	Reflector Trims — See Individual Reflector Trim Specification Sheets															
	Open Downlight						Recessed Adjustable			Enclosed Diffusers	Wall Washer	Open Wet Location				
	Reflector	Cone	Cross Blade	Basic White	Baffles	Basic										
1103R	1143	1112	1132	1176WH	1105	1170M1	Line Voltage			1121	1135	1184WH				
	1144	1112NM		1170M1	1105BNM		1171	1127	1129CL				1138	1124	1135WH	1184CD
	1144CD	1113		1171	1105NM		1105WH	1127NM	1129CLNM				1138NM	1126	1185	
	1145	1113WH		1105WH	1176		1179M1	1127BK	1129GD				1148	1128	1186	
	1146	1113BK		1176	1179M1		1179WH	1127BKNM	1129GDNM				1148NM	1134	1186WH	
	1146CD	1113BKNM		1179M1	1179WH			1127CDNM	1129BK					1177SH		
	1149	1113CD						1127CD	1129BKNM					1178SH		
	1150	1113CDNM						1127BNM	1129WH					1190		
	1151	1113NM						1127WH								
	1151CD							1129								
		Satin Cone				Low Voltage										
		1108				1152	1161	1163								
		1108NM				1155	1161WH	1164								
		1110				Eyeball										
		1110NM				1122	1123	1182								
						1122WH	1123WH									

## Features

- Mounting Ring:** .032 (#22 ga.) galvanized steel. Accommodates existing ceilings up to 2" thick. Attaches securely to any type of ceiling material without tools using (3) mounting straps provided. Push-in/twist-out clips hold reflector flush to ceiling. Includes adhesive backed aperture template.
- Junction Box:** 2 1/2" X 2 1/2" X 3 1/2" (21 cu. in.) .032 (#22 ga.) galvanized steel. U.L. listed for 90° C supply wire. Integral cable clamps permit attachment of non-metallic (#12 or #14 ga.) Romex® cable without tools or additional connectors. Attaches to mounting ring without tools.
- Socket Housing:** Impact extruded aluminum or galvanized steel.
- Socket:** Porcelain medium base; nickel plated screw shell. Pre-wired with #18 ga. SF1 (300 VOLT 200° C) leads to junction box.
- Thermal Protector:** Meets NEC and U.L. requirements. Do not install insulation within 3 inches of fixture sides or wiring compartment nor above fixture in such a manner as to entrap heat.

## Options & Accessories

**Thermal Protector Replacement:** 1970  
**Replacement Clips (Set of 3):** 1997

## Labels

UL (Suitable for Damp Locations)

Romex® is a registered trademark of General Cable Industries Inc.  
**US and Foreign Patents Pending.**

Job Information	Type:
<b>Job Name:</b>	
<b>Cat. No.:</b>	
<b>Lamp(s):</b>	
<b>Notes:</b>	

**Lightolier** a Genlyte company www.lightolier.com  
 631 Airport Road, Fall River, MA 02720 • (508) 679-8131 • Fax (508) 674-4710  
 We reserve the right to change details of design, materials and finish.  
 © 2006 Genlyte Group LLC • F0906

## Free Manuals Download Website

<http://myh66.com>

<http://usermanuals.us>

<http://www.somanuals.com>

<http://www.4manuals.cc>

<http://www.manual-lib.com>

<http://www.404manual.com>

<http://www.luxmanual.com>

<http://aubethermostatmanual.com>

Golf course search by state

<http://golfingnear.com>

Email search by domain

<http://emailbydomain.com>

Auto manuals search

<http://auto.somanuals.com>

TV manuals search

<http://tv.somanuals.com>