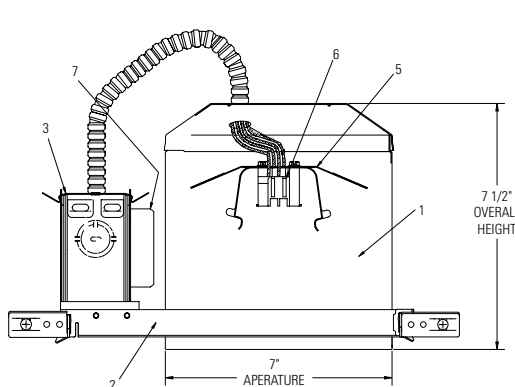
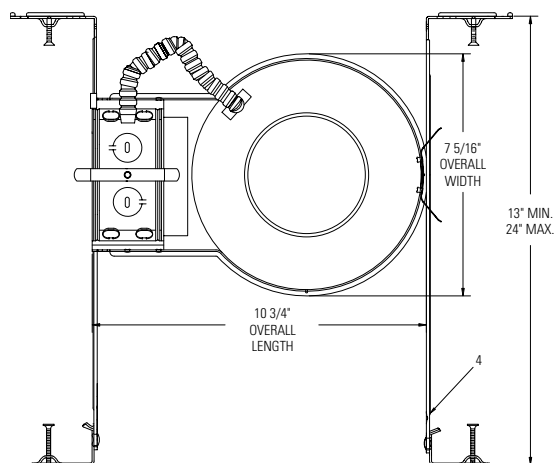


Lytecaster® Recessed Downlighting **1104F18ES**

Page 1 of 1 6 3/4" Aperture **Lyte^{ning}**® 1 Lt 18W Quad/Triple Tube Compact Fluorescent IC Frame-In Kit



Ceiling Opening 7" diameter

Complete Fixture consists of Reflector Trim & Frame-In Kit. Select each separately.

Frame-In Kit		Reflector Trims — See Individual Reflector Trim Specification Sheets								
	Voltage	Lamp	Open Downlight					Enclosed Diffusers	Wall Washer	Cross Blade
			Anodized Reflector	Anodized Cone	Satin Cone	Baffles	Basic White			
1104F18ES 1104F18ESN	120V	18W Quad or Triple Tube	1143	1112	1108	1105	1171	1121	1185	1132**
			1144	1112NM	1108NM	1105BNM	1124	1186		
			1144CD	1113	1110	1105NM	1170M1	1126**	1186WH	
				1113BK	1110NM	1105WH		1128**	1135	
				1113BKNM		1176		1134	1135WH	
				1113CD		1176WH		1177SH		
				1113CDNM		1179M1*		1177LX**		
				1113NM		1179WH*		1178SH		
				1113WH				1190**		

Features

- Housing:** .032" (#20 ga.) UL listed for direct contact with thermal insulation. Allows installation in ceilings up to 2" thick. Can be removed for access to junction box, ballast and ceiling plenum. AirSeal® housing minimizes air leakage to less than 2 CFM at 1.57 PSF (or 75pa), which complies with Model Energy Code (Section 602.3.3) and Washington State Energy Code (Section 502.4) and reduces heat loss and condensation in ceiling.
- Mounting Frame:** .048" (#18 ga.) galvanized steel. Locks into position along length of mounting bars with locking spring and bendable slot. (3) slots 90° apart simplify alignment.
- Junction Box:** 2" X 4" X 3 1/2" (22 cu. in.) .032" (#22 ga.) galvanized steel. UL listed for branch circuit wiring supplying connected luminaires. Integral cable clamps permit attachment of non-metallic (#12 or #14 ga.) Romex® cable without tools or additional connectors.
- Mounting Bars:** .059" (#16 ga.) galvanized steel. Bars pivot for easy attachment and wire-in below ceiling line. Bars extend to accommodate 16" to 24" O.C. joist spacing. Bars can accommodate 9" O.C. joist spacing after a slight field modification (see Instruction Sheet). Features integral self-tapping phillips screws or nails for secure attachment to wood or metal construction. Attaches to T-bar ceilings without the need of accessories.
- Socket Housing:** Trim retaining spring secures trim to any height on housing wall.
- Socket:** (4 Pin, GX24q-2) base, molded thermo-plastic. Pre-wired with #18 AWG leads to junction box.
- Ballast:** Electronic 120V, end of life protected, FCC class "B" consumer limits, class "A" sound rating. Energy Star® qualified.

Electrical

Input Watts: 19
Amps: .16
Ballast Factor: 1.0
Power Factor: .97

*Recommend Triple Tube Lamp for Optimal Performance.
**Use Triple Tube Lamp Only.

Electrical (cont.)

Max THD %: 10
Min Start Temp: 0°F/ -18°C

Options & Accessories

AirSeal® Kit: LAS56 (optional)

Note: Use only if factory installed tape or knockouts are removed from vertical adjustment slots in housing wall.

Labels

UL (Type IC Suitable for Damp Locations)

Complies with Air Leakage Requirements stated in the Model Energy Code, California Title 24 and the Washington State Energy Code.

Romex® is a registered trademark of General Cable Industries Inc.

US and Foreign Patents Pending.

Job Information	Type:
Job Name:	
Cat. No.:	
Lamp(s):	
Notes:	

Lightolier a Genlyte company www.lightolier.com
631 Airport Road, Fall River, MA 02720 • (508) 679-8131 • Fax (508) 674-4710
We reserve the right to change details of design, materials and finish.
© 2006 Genlyte Group LLC • C0906

Free Manuals Download Website

<http://myh66.com>

<http://usermanuals.us>

<http://www.somanuals.com>

<http://www.4manuals.cc>

<http://www.manual-lib.com>

<http://www.404manual.com>

<http://www.luxmanual.com>

<http://aubethermostatmanual.com>

Golf course search by state

<http://golfingnear.com>

Email search by domain

<http://emailbydomain.com>

Auto manuals search

<http://auto.somanuals.com>

TV manuals search

<http://tv.somanuals.com>