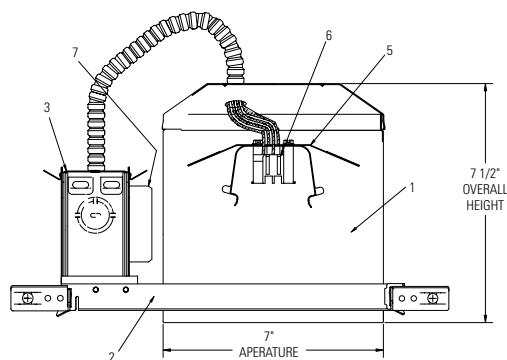
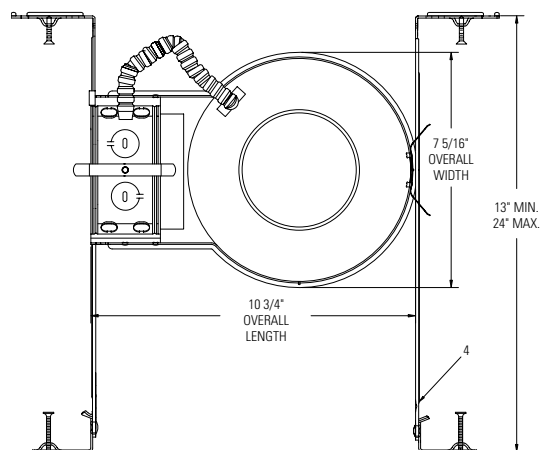


Lytecaster® Recessed Downlighting **1104F2632ES**

Page 1 of 1

6 3/4" Aperture **Lyte[™]ning**® 1 Lt 26/32W Quad/Triple Tube Compact Fluorescent

IC Frame-In Kit



Ceiling Opening 7" diameter

Complete Fixture consists of Reflector Trim & Frame-In Kit. Select each separately.

Frame-In Kit		Reflector Trims — See Individual Reflector Trim Specification Sheets							
	Voltage	Lamp	Open Downlight					Enclosed Diffusers	Wall Washer
			Anodized Reflector	Anodized Cone	Satin Cone	Baffles	Basic White		
1104F2632ES 1104F2632ESN	120V	26/32W Quad or Triple Tube	1143*	1112	1108	1105	1171*	1121	1185**
			1144*	1112NM	1108NM	1105BNM	1170M1	1124	1186
			1144CD*	1113	1110	1105NM		1126** (26W Only)	1186WH
				1113BK	1110NM	1105WH		1134	1135**
				1113BKNM		1176		1177SH**	1135WH**
				1113CD		1176WH		1178SH	
				1113CDNM				1190** (26W Only)	
				1113NM					
				1113WH					

Features

- Housing:** .032" (#20 ga.) UL listed for direct contact with thermal insulation. Allows installation in ceilings up to 2" thick. Can be removed for access to junction box, ballast and ceiling plenum. AirSeal® housing minimizes air leakage to less than 2 CFM at 1.57 PSF (or 75pa), which complies with Model Energy Code (Section 602.3.3) and Washington State Energy Code (Section 502.4) and reduces heat loss and condensation in ceiling.
- Mounting Frame:** .048" (#18 ga.) galvanized steel. Locks into position along length of mounting bars with locking spring and bendable slot. (3) slots 90° apart simplify alignment.
- Junction Box:** 2" X 4" X 3 1/2" (22 cu. in.) .032" (#22 ga.) galvanized steel. UL listed for branch circuit wiring supplying connected luminaires. Integral cable clamps permit attachment of non-metallic (#12 or #14 ga.) Romex® cable without tools or additional connectors.
- Mounting Bars:** .059" (#16 ga.) galvanized steel. Bars pivot for easy attachment and wire-in below ceiling line. Bars extend to accommodate 16" to 24" O.C. joist spacing. Bars can accommodate 9" O.C. joist spacing after a slight field modification (see Instruction Sheet). Features integral self-tapping phillips screws for secure attachment to wood or metal construction. Attaches to T-bar ceilings without the need of accessories.
- Socket Housing:** Trim retaining spring secures trim to any height on housing wall.
- Socket:** (4 Pin, GX24q-3) base, molded thermo-plastic. Pre-wired with #18 AWG leads to junction box.
- Ballast:** Electronic 120V, end of life protected, FCC class "B" consumer limits, class "A" sound rating. Energy Star® qualified.

Electrical

Input Watts: 27 *Recommend Triple Tube Lamp for Optimal Performance.
 Amps: .47 **Use Triple Tube Lamp Only.
 Ballast Factor: 1.0
 Power Factor: .98

Electrical (cont.)

Max THD %: 10
 Min Start Temp: 0°F / -18°C

Options & Accessories

AirSeal® Kit: LAS56† (Optional)

Note: Use only if factory installed tape or knockouts are removed from vertical adjustment slots in housing wall.

Labels

† UL (Type IC Suitable for Damp Locations)
 Complies with Air Leakage Requirements stated in the Model Energy Code, California Title 24 Code and the Washington State Energy Code.

Romex® is a registered trademark of General Cable Industries Inc.
US and Foreign Patents Pending.

Job Information	Type:
Job Name:	
Cat. No.:	
Lamp(s):	
Notes:	

Lightolier a Genlyte company www.lightolier.com
 631 Airport Road, Fall River, MA 02720 • (508) 679-8131 • Fax (508) 674-4710
 We reserve the right to change details of design, materials and finish.
 © 2006 Genlyte Group LLC • C0906



Free Manuals Download Website

<http://myh66.com>

<http://usermanuals.us>

<http://www.somanuals.com>

<http://www.4manuals.cc>

<http://www.manual-lib.com>

<http://www.404manual.com>

<http://www.luxmanual.com>

<http://aubethermostatmanual.com>

Golf course search by state

<http://golfingnear.com>

Email search by domain

<http://emailbydomain.com>

Auto manuals search

<http://auto.somanuals.com>

TV manuals search

<http://tv.somanuals.com>