

Under Shelf Luminaire TCU SERIES

Page 1 of 2

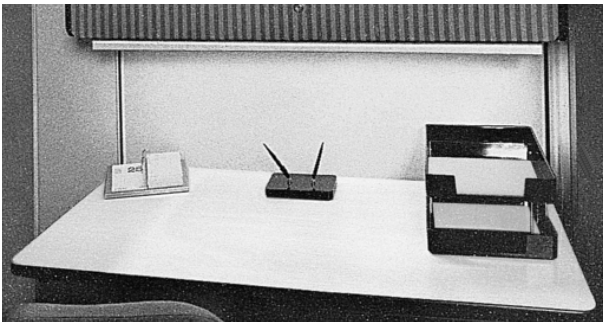
18", 24", 36", 48" Lengths, One Lamp, Rapid Start T8 and Trigger Start T12

Features

- 1-7/8" shallow depth.
- Four nominal lengths: 18", 24", 36", 48".
- Grounded convenience outlet (optional).
- On-off switch supplied standard with supply pack.
- Baked white enamel.



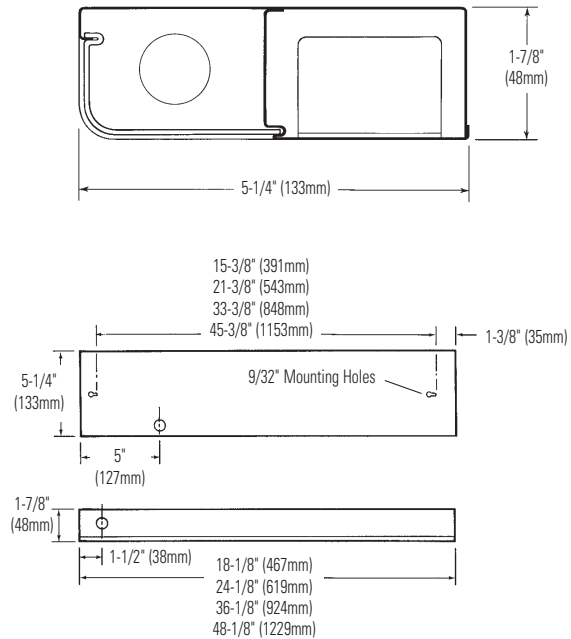
Features



Attractive, unobtrusive lighting

Dimensions

All K.O.'s are 7/8" unless otherwise noted.



Job Information

Type:

Job Name:

Cat. No.:

Lamp(s):

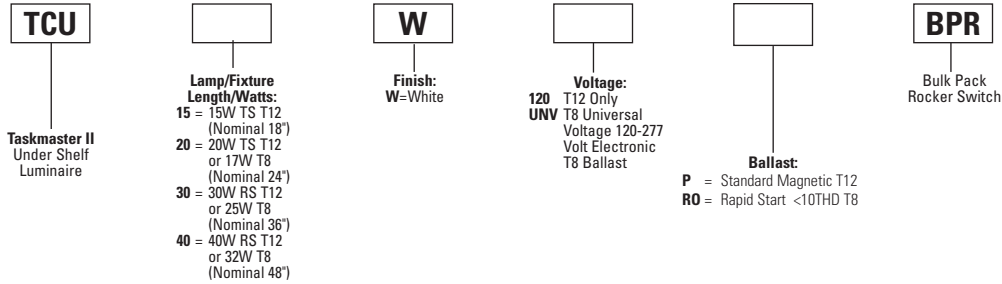
Volts/Ballast:

Lightolier a Genlyte Thomas Company www.lightolier.com
 Technical Information: (978) 657-7600 • Fax (978) 658-0595
 631 Airport Road, Fall River, MA 02720 • (508) 679-8131 • Fax (508) 674-4710
 We reserve the right to change details of design, materials and finish.
 Copyright 2003 Lightolier **Section 3A/Folio H150-10 Rev. B**



Under Shelf Luminaire TCU SERIES

Ordering Information



Type	Fixture Length	Lamp Watts/Type	Catalog No.
Taskmaster II Under Shelf Luminaire	18-1/8"	15W TS-T12	TCU15W120P BPR
	24-1/8"	20W TS-T12	TCU20W120P BPR
	36-1/8"	30W RS-T12	TCU30W120P BPR
	48-1/8"	40W RS-T12	TCU40W120P BPR
	24-1/8"	17W-T8	TCU20WUNVRO BPR
	36-1/8"	25W-T8	TCU30WUNVRO BPR
	48-1/8"	32W-T8	TCU40WUNVRO BPR

Warning (277 BPR)
Bulk pack rocker switch can not be installed on fixture if 277 voltage is being run.

Options/Accessories

Accessories that ship separately order

- GLR-B (6 pack of 3 amp fusing)
- RIF-SUPR 1-RFI suppressor)
- CONV OUTLET 10-PACK (10 pack of outlets and hardware)

Accessories are for field installation.

Specifications

Materials: Chassis parts are die-formed code gauge cold rolled steel.

Lens: White opal acrylic.

Finish: Cavity—white baked enamel, minimum 85% reflectance. Phosphate undercoating. **Chassis exterior**—white baked enamel.

Electrical: Rapid start LPF, thermally protected class "P" ballast C.B.M. approved, non PCB. If K.O. is within 3" of ballast, use wire suitable for at least 90°.

Labels: I.B.E.W./UL and ULc Listed.

Job Information

Type:

Lightolier a Genlyte Thomas Company www.lightolier.com
 Technical Information: (978) 657-7600 • Fax (978) 658-0595
 631 Airport Road, Fall River, MA 02720 • (508) 679-8131 • Fax (508) 674-4710
 We reserve the right to change details of design, materials and finish.
 Copyright 2003 Lightolier **Section3A/Folio H150-10 Rev. B**

Free Manuals Download Website

<http://myh66.com>

<http://usermanuals.us>

<http://www.somanuals.com>

<http://www.4manuals.cc>

<http://www.manual-lib.com>

<http://www.404manual.com>

<http://www.luxmanual.com>

<http://aubethermostatmanual.com>

Golf course search by state

<http://golfingnear.com>

Email search by domain

<http://emailbydomain.com>

Auto manuals search

<http://auto.somanuals.com>

TV manuals search

<http://tv.somanuals.com>