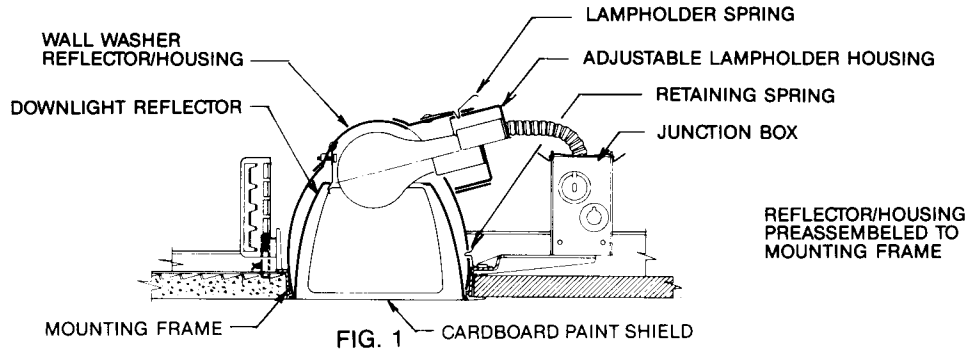


**INSTALLATION OF PRE-WIRED CALCULITE FRAME-IN-KITS
A-LAMP WALL WASHER/DOWNLIGHT
INSTRUCTION SHEET FOR ITEMS:
V611, W612**

READ AND UNDERSTAND THESE INSTRUCTIONS BEFORE INSTALLING FIXTURE.

This fixture is intended for installation in accordance with the National Electrical Code and local regulations. To assure full compliance with local codes and regulations, check with your local electrical inspector before installation. To prevent electrical shock, turn off electricity at fuse box before proceeding.

Retain these instructions for maintenance reference.



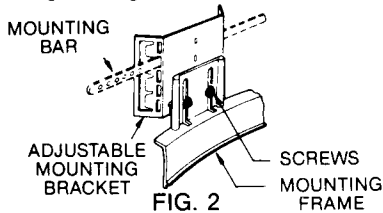
WARNING—(RISK OF FIRE) DO NOT INSTALL INSULATION WITHIN 3 INCHES OF FIXTURE SIDES OR WIRING COMPARTMENT, NOR ABOVE FIXTURE IN SUCH A MANNER SO AS TO ENTRAP HEAT.

NOTE: REFLECTOR/HOUSING must be installed before closing in ceiling. Make sure finished ceiling is lined up with MOUNTING FRAME (Fig. 6).

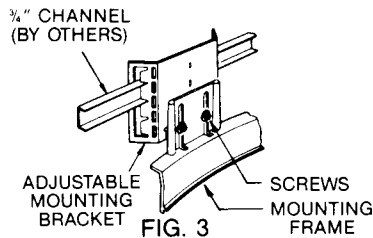
A. FRAME-IN AND WIRE-IN (FIG. 1)

1. Install FRAME-IN SECTION using ADJUSTABLE MOUNTING BRACKET (see below). Wire to supply leads. White fixture lead to neutral supply lead. Black fixture lead to hot (120V) supply lead. Bare fixture wire to supply ground. Use wirenuts (local hardware items). Place all electrical connections in the J-BOX. Attach J-BOX COVER onto J-BOX.

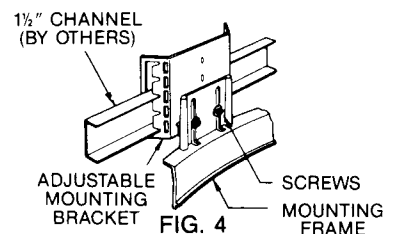
- a. With MOUNTING BAR (order separately) 18"—Cat. No. 1950; 27"—Cat. No. 1951, using rectangular slots as shown.



- b. With 3/4" CHANNEL (by others)



- c. With 1/2" CHANNEL (by others)



For suspended ceilings T-Bar ANCHOR CLIPS ACCESSORY No. 1956 (Order separately) may be used in conjunction with 18" or 27" MOUNTING BARS for quick mounting (Fig. 5a) or simply wire MOUNTING BARS to ceiling members (Fig. 5b).

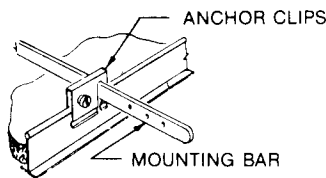


FIG. 5a

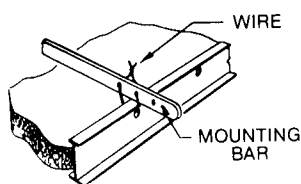


FIG. 5b

For wood joist construction, TELESCOPING MOUNTING BARS No. 7994 (order separately) may be used to secure MOUNTING FRAME (Fig. 5c).

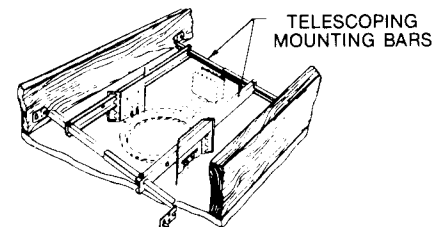


FIG. 5c

INSTALLATION OF PRE-WIRED CALCULITE FRAME-IN-KITS A-LAMP WALL WASHER/DOWNLIGHT (Cont'd)

B. ADJUST MOUNTING FRAME

For both plaster or other dry ceiling installation, MOUNTING FRAME must be set so that the bottom edge is flush with the finished ceiling, as shown on Fig. 6.

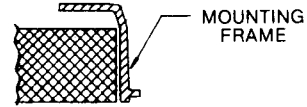


FIG. 6

- NOTE:**
1. To insure proper installation, the MOUNTING FRAME must always be secure to structural ceiling members.
 2. Final vertical adjustment can be made by means of MOUNTING BRACKET SCREWS (Fig. 2) on inside of MOUNTING FRAME.

C. ADJUST SOCKET HOUSING

Engage SPRING to SLOTS for desired lamp/wattage position (see label on inside and outside of neck of REFLECTOR/HOUSING as shown on Fig. 7).

- NOTE:** To remove REFLECTOR/HOUSING for inspection and maintenance, push RETAINING SPRINGS outward and detach REFLECTOR/HOUSING from MOUNTING FRAME (See Fig. 1). To insure neat installation, do not remove CARDBOARD PAINT SHIELD (provided) in MOUNTING FRAME (Fig. 1). The SHIELD will protect the inside of REFLECTOR/HOUSING from paint, plaster and dust. Remove it only after construction is completed.

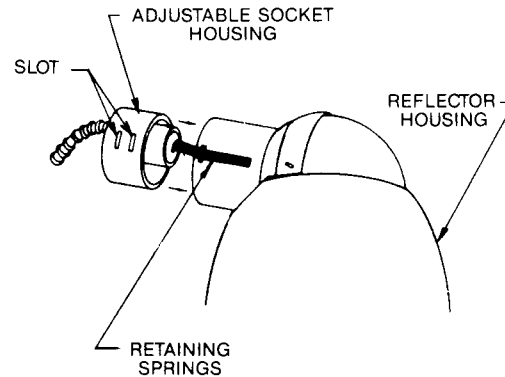


FIG. 7

D. CARE AND MAINTENANCE OF "ALZAK" REFLECTOR

If handling of reflectors with anodized or Alzak finish is required, the use of clean white or plastic film gloves recommended to avoid fingerprints.

Anodized or Alzak surfaces can be cleaned by the following methods:

1. Wipe off with a soft, clean, dry, lint-free cloth.
2. Wipe off with a soft clean cloth dampened in mild detergent solution. Rinse, then wipe dry with lint-free cloth or paper towel.
3. Wipe off with a clean cloth dampened with a solution of wetting agent and water (such as 2 oz. per gallon "Pluronic L62-LF" by Wyandotte Products) or a liquid wax such as Glass Wax®. Then wipe dry. Avoid gritty cleaning agents.

Free Manuals Download Website

<http://myh66.com>

<http://usermanuals.us>

<http://www.somanuals.com>

<http://www.4manuals.cc>

<http://www.manual-lib.com>

<http://www.404manual.com>

<http://www.luxmanual.com>

<http://aubethermostatmanual.com>

Golf course search by state

<http://golfingnear.com>

Email search by domain

<http://emailbydomain.com>

Auto manuals search

<http://auto.somanuals.com>

TV manuals search

<http://tv.somanuals.com>