

INSTALLATION OF CALCULITE A-LAMP WALL WASHER/DOWNLIGHT REFLECTOR
INSTRUCTION SHEET FOR ITEMS:
V7009, V7010, V7011
W7009, W7010, W7011

INSTRUCTION SHEET NO.
IS:V7009
 1088

READ AND UNDERSTAND THESE INSTRUCTIONS BEFORE INSTALLING FIXTURE.

This fixture is intended for installation in accordance with the National Electrical Code and local or federal code specifications. To prevent electrical shock, turn off electricity at fuse box before proceeding.

Retain these instructions for maintenance reference.

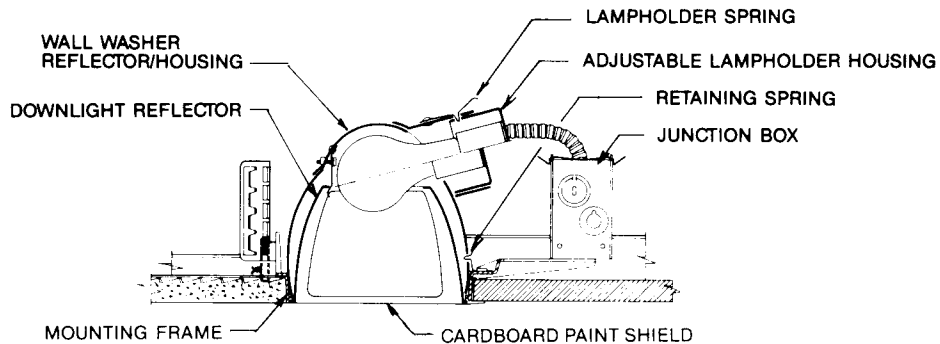


FIG. 1

WARNING—(RISK OF FIRE) DO NOT INSTALL INSULATION WITHIN 3 INCHES OF FIXTURE SIDES OR WIRING COMPARTMENT, NOR ABOVE FIXTURE IN SUCH A MANNER SO AS TO ENTRAP HEAT.

A. INSTALL INSIDE REFLECTOR (FIG. 1)

NOTE: For overlapping trim installation slip on WHITE TRIM RING over INSIDE REFLECTOR, as shown in Fig. 2 and 3. For flangeless trim installation, WHITE TRIM RING is not required.

To install INSIDE REFLECTOR in REFLECTOR/HOUSING with THUMB SCREWS (Fig. 4), push INSIDE REFLECTOR up into REFLECTOR/HOUSING. Rotate INSIDE REFLECTOR so that CUT OUT WINDOW is always opposite the wall to be lighted. Now, tighten the THUMBSCREWS so that INSIDE REFLECTOR is held firmly against ceiling surface.

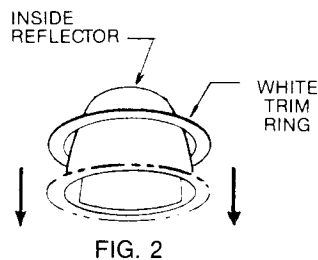


FIG. 2

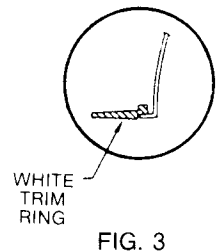


FIG. 3

B. CARE AND MAINTENANCE OF "ALZAK" REFLECTOR

If handling of reflectors with anodized or Alzak finish is required, the use of clean white or plastic film gloves is recommended to avoid fingerprints.

Anodized or Alzak surfaces can be cleaned by the following methods:

1. Wipe off with a soft, clean, dry, lint-free cloth.
2. Wipe off with a clean cloth dampened in mild detergent solution. Rinse, then wipe dry with lint-free cloth or paper towel.
3. Wipe off with a clean cloth dampened with a solution of wetting agent and water (such as 2 oz. per gallon "Pluronic L62-LF by Wyandotte Products), or a liquid wax such as Glass Wax®. Then wipe dry. Avoid gritty cleaning agents.

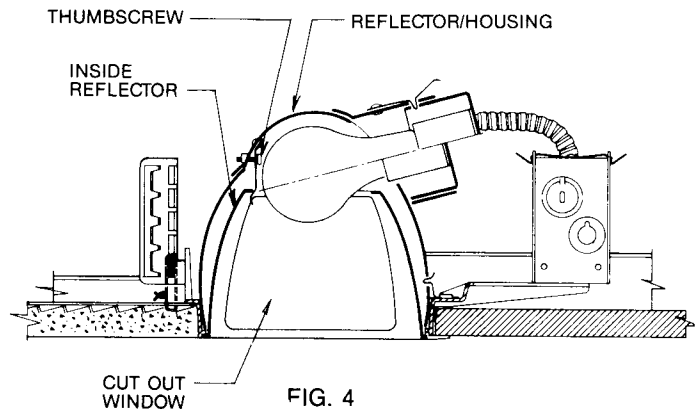


FIG. 4

U.S. Pat. No. 4,039,822

LIGHTOLIER® SECAUCUS, NEW JERSEY, 07096
 MONTREAL, QUEBEC, CANADA

Free Manuals Download Website

<http://myh66.com>

<http://usermanuals.us>

<http://www.somanuals.com>

<http://www.4manuals.cc>

<http://www.manual-lib.com>

<http://www.404manual.com>

<http://www.luxmanual.com>

<http://aubethermostatmanual.com>

Golf course search by state

<http://golfingnear.com>

Email search by domain

<http://emailbydomain.com>

Auto manuals search

<http://auto.somanuals.com>

TV manuals search

<http://tv.somanuals.com>