

VP PARABOLIC VPA1G12PR132

Page 1 of 2

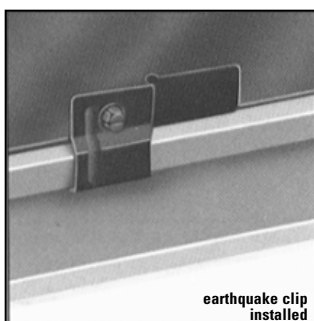
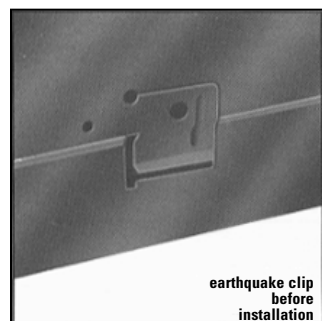
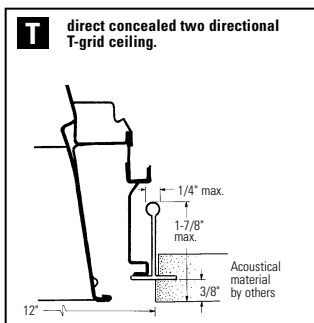
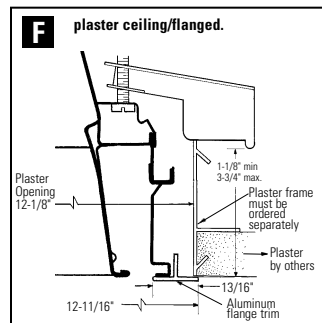
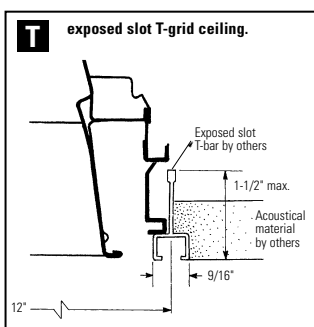
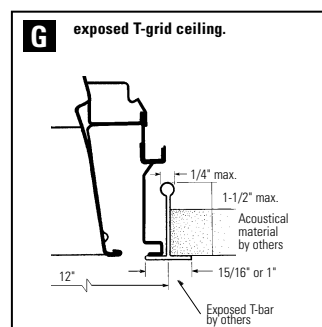
1'x4' RECESSED FLUORESCENT, 3" DEEP, 12 CELL (1 ROW) PARABOLIC LOUVER
 STATIC OR AIR SUPPLY/RETURN, IES RP1 FOR INTENSE VDT USE (PREFERRED)

Features

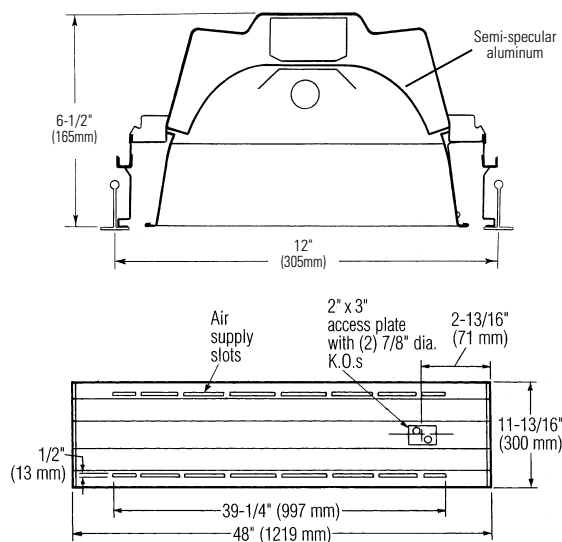
- Meets IES RP1 for lighting VDT areas with intense use.
- 72.0% efficient (T8).
- 1.6 spacing mounting ratio.
- Specular, low iridescence, pre-anodized aluminum louver.
- Vertical grain on louver eliminates reflected lamp image on cross baffle.
- Louver frame with positive light stop.
- Spring loaded latches (self centering).
- Reversible louver hinging.
- Louver has protective dust guard.
- Only 6-5/8" deep body.
- Black housing exterior for cooler ballast operating temperature.
- Turned-in edges for safe handling.
- Built-in earthquake clip (pat. no. 5,072,344).
- UL-Listed twin knockout access plate.
- Air closure strips (optional).
- Construction to meet NYC Code or Chicago Plenum is available.



MOUNTING METHODS



DIMENSIONS



Job Information

Type:

Job Name:

Cat. No.:

Lamp(s):

Volts/Ballast:

Lightolier a Genlyte Thomas Company

www.lightolier.com

Technical Information: (978) 657-7600 • Fax (978) 658-0595

631 Airport Road, Fall River, MA 02720 • (508) 679-8131 • Fax (508) 674-4710

We reserve the right to change details of design, materials and finish.

© 2002 Genlyte Thomas Group LLC (Lightolier Division)

A0902

SECTION 2/Folio G05-10 REV. A

LIGHTOLIER®



VP PARABOLIC VPA1G12PR132

1'x4' RECESSED FLUORESCENT, 3" DEEP, 12 CELL (1 ROW) PARABOLIC LOUVER STATIC OR AIR SUPPLY/RETURN, IES RP1 FOR INTENSE VDT USE (PREFERRED)

PHOTOMETRY

MODEL NO. VPA1G12PR132120S0

LER = FP - 59.4 IW - 30.4 BF - 0.88
Comparative yearly lighting energy cost per 1000 lumens = \$4.04

LTL LUMINAIRE TESTING LABORATORY
905 Harrison Street • Allentown, PA 18103 • (610) 770-1044 • Fax (610) 770-8912

LTL NUMBER: 03011 DATE: 6-17-1996
PREPARED FOR: LIGHTOLIER INC.
CATALOG NUMBER: VPA1G12PR132
LUMINAIRE: FORMED STEEL HOUSING, FORMED SEMI-SPECULAR ALUMINUM REFLECTOR WITH SPECULAR MYLAR INSERT, SPECULAR ALUMINUM PARABOLIC 12-CELL LOUVER
BALLAST: MOTOROLA M1-RH-T8-111-120
LAMPS: ONE PHILIPS F32T8/TL741 RATED AT 2850 LUMENS.
MOUNTING: RECESSED
LUMEN TO CANDELA RATIO USED = 9.18
TOTAL INPUT WATTS = 30.4 AT 120.0 VOLTS
THE 0 DEGREE PLANE IS PARALLEL WITH THE LAMPS.

#03011

| CANDELA DISTRIBUTION | | FLUX | |
|----------------------|-----|------|------|
| 0 | 90 | 0 | 90 |
| 0 | 967 | 967 | 967 |
| 5 | 966 | 971 | 974 |
| 15 | 926 | 948 | 994 |
| 25 | 814 | 883 | 1087 |
| 35 | 659 | 838 | 1171 |
| 45 | 478 | 678 | 1045 |
| 55 | 265 | 424 | 833 |
| 65 | 124 | 218 | 505 |
| 75 | 50 | 90 | 283 |
| 85 | 15 | 30 | 106 |
| 90 | 0 | 0 | 33 |

TESTED BY: BILL GRATHER
CHECKED BY: MIKE GRATHER

THIS REPORT BASED ON LM-41 AND OTHER PERTINENT IES PROCEDURES.

coefficients of utilization — zonal cavity method

| | RF | | | RC | | | RW | | |
|----|----|----|----|----|----|----|----|----|----|
| | 20 | 50 | 80 | 20 | 50 | 80 | 20 | 50 | 80 |
| 1 | 81 | 79 | 77 | 74 | 73 | 72 | 72 | 71 | 70 |
| 2 | 77 | 73 | 70 | 69 | 67 | 65 | 67 | 65 | 63 |
| 3 | 72 | 67 | 63 | 64 | 61 | 58 | 62 | 59 | 57 |
| 4 | 67 | 61 | 57 | 59 | 55 | 52 | 57 | 54 | 52 |
| 5 | 63 | 56 | 51 | 54 | 50 | 47 | 53 | 49 | 46 |
| 6 | 59 | 52 | 47 | 50 | 46 | 42 | 49 | 45 | 42 |
| 7 | 55 | 47 | 42 | 45 | 41 | 38 | 45 | 41 | 38 |
| 8 | 51 | 43 | 37 | 41 | 37 | 34 | 40 | 36 | 33 |
| 9 | 47 | 38 | 33 | 37 | 33 | 30 | 36 | 32 | 29 |
| 10 | 43 | 35 | 30 | 34 | 29 | 26 | 33 | 29 | 26 |

visual comfort probability

| room size | ceiling height | | | | ceiling height | | | | | |
|-----------|----------------|-----|-----|------|----------------|------|-----|------|------|------|
| | W | L | 8.5 | 10.0 | 13.0 | 16.0 | 8.5 | 10.0 | 13.0 | 16.0 |
| 20 | 20 | 20 | 93 | 93 | 92 | 82 | 97 | 96 | 95 | 90 |
| 20 | 30 | 30 | 93 | 93 | 92 | 82 | 97 | 96 | 96 | 91 |
| 20 | 40 | 40 | 93 | 93 | 92 | 82 | 97 | 96 | 96 | 92 |
| 20 | 60 | 60 | 93 | 93 | 92 | 83 | 97 | 96 | 96 | 92 |
| 30 | 20 | 20 | 93 | 93 | 93 | 85 | 97 | 96 | 96 | 91 |
| 30 | 30 | 30 | 93 | 93 | 93 | 85 | 97 | 96 | 96 | 92 |
| 30 | 40 | 40 | 93 | 94 | 92 | 85 | 97 | 96 | 96 | 92 |
| 30 | 60 | 60 | 93 | 94 | 93 | 86 | 98 | 96 | 96 | 92 |
| 30 | 80 | 80 | 93 | 94 | 93 | 86 | 98 | 96 | 96 | 92 |
| 40 | 20 | 20 | 93 | 93 | 93 | 86 | 97 | 96 | 96 | 91 |
| 40 | 30 | 30 | 93 | 94 | 92 | 87 | 97 | 96 | 96 | 92 |
| 40 | 40 | 40 | 93 | 94 | 93 | 87 | 98 | 96 | 96 | 92 |
| 40 | 60 | 60 | 93 | 94 | 93 | 87 | 98 | 96 | 96 | 92 |
| 40 | 80 | 80 | 94 | 94 | 93 | 87 | 98 | 96 | 96 | 92 |
| 40 | 100 | 100 | 94 | 94 | 93 | 87 | 98 | 96 | 96 | 92 |
| 60 | 30 | 30 | 93 | 94 | 93 | 87 | 97 | 96 | 96 | 92 |
| 60 | 40 | 40 | 93 | 94 | 93 | 87 | 98 | 96 | 96 | 92 |
| 60 | 60 | 60 | 94 | 94 | 93 | 87 | 98 | 96 | 96 | 92 |
| 60 | 80 | 80 | 94 | 94 | 93 | 87 | 98 | 96 | 96 | 92 |
| 60 | 100 | 100 | 94 | 94 | 93 | 87 | 98 | 96 | 96 | 92 |
| 100 | 40 | 40 | 94 | 94 | 93 | 87 | 98 | 96 | 96 | 92 |
| 100 | 60 | 60 | 94 | 94 | 93 | 87 | 98 | 96 | 96 | 92 |
| 100 | 80 | 80 | 94 | 94 | 93 | 87 | 98 | 96 | 96 | 92 |
| 100 | 100 | 100 | 94 | 94 | 93 | 87 | 98 | 96 | 96 | 92 |

ORDERING INFORMATION

Explanation of Catalog Number. Example: VPA1G12PR132120S0GLR

| | | | | | | | | | | | |
|--|----------------------------|--|--------------------------------------|--|----------------------------|---|-------------------------------|---|--|--|--|
| VP | 1 | 12 | P | R | 1 | | | | | | |
| VP: 3" Deep Pre-anodized Aluminum Louver for intense VDT use | 1: Fixture Width | 12: Number of Cells: 1 row of 12 cells | P: Low Irrescence Specular | R: Reflector: 95% Reflective | 1: Lamp Quantity | LAMP/ FIXTURE LENGTH: 32=T8 34=T12 (Nominal 48") | VOLTAGE: 120 or 277 | BALLAST TYPE: LE <20THD SO* PS | OPTIONS: Add appropriate suffix to catalog no. ie: (GLR) <10THD HI* - | | |

Other dimming options, consult factory.

OPTIONS & ACCESSORIES

- ACCESS PLATE:** Top Wiring access plate is shipped with fixture as standard. When access plates are required in advance for wiring convenience, specify separately. Order Catalog Number: **ACP CSP**.
- ELECTRICAL WIRING OPTIONS:** Consult factory.
- FUSING:** Internal fast-blow fusing. SUFFIX: **GLR**. Internal slow-blow fusing. SUFFIX: **GMF**.
- RADIO INTERFERENCE FILTER:** 120 or 277 volt, 50 or 60 Hz. One per fixture standard. SUFFIX: **RF**.
- CONTINUOUS ROW INSTALLATION:** For F type fixtures, half-width flanges are required between fixtures. Order Catalog Number: **1FCTRIM** (each joint).
- SPLAY TRIM:** For T ceiling type only. SUFFIX: **CTZ12 S2 SPLAY TRIM**.
- AIR CLOSURE STRIPS:** SUFFIX **ACS4** (factory installed).
- DRYWALL KIT:** Order Catalog Number: **FK91X4**. Request Folio OA30-10.
- CHICAGO PLENUM:** SUFFIX: **CP**.

SPECIFICATIONS

PERFORMANCE: In an installation of 1 lamp 32W luminaires in a room cavity ratio of 1, reflectance 80% ceiling, 50% wall, 20% floor, the C.U. shall not be less than .79 with a spacing to mounting ratio of 1.6 perpendicular to the lamps. To meet IES RP-1 preferred for VDT areas the VCP (visual comfort probability) shall not be less than 94 either crosswise or lengthwise, and the maximum average

brightness at 55°, 65°, 75° and 85° shall not exceed 664, 109, 0, and 0 candelas per square meter respectively in the 0°, 45° and 90° horizontal planes. Candelas at nadir (0°) not to exceed 967.

AIR HANDLING: (VPA only) side air passages for air supply or air return. Optional side closure strips. Air return is also provided through the lamp compartment through fixture body ends.

MATERIALS: Chassis parts are die-formed embossed cold rolled steel. **Housing** is embossed for rigidity with all edges turned-in for safe handling. **LOUVER:** Pre-anodized aluminum (Coilzak® or equal). **FINISH:** Louver—specular low iridescence pre-anodized reflector sheet. **REFLECTOR:** Low-iridescence, semi-specular with low iridescence specular center section. **Chassis exterior**—black baked polyester enamel. **ELECTRICAL:** Thermally protected class "P" ballast C.B.M. approved, non PCB. If K.O. is within 3" of ballast, use wire suitable for at least 90°.

LABELS: I.B.E.W./UL and C-UL.

Job Information Type:

Lightolier a Genlyte Thomas Company www.lightolier.com
Technical Information: (978) 657-7600 • Fax (978) 658-0595
631 Airport Road, Fall River, MA 02720 • (508) 679-8131 • Fax (508) 674-4710
We reserve the right to change details of design, materials and finish.
© 2002 Genlyte Thomas Group LLC (Lightolier Division)
A0902 **SECTION 2/Folio G05-10 REV. A**



Free Manuals Download Website

<http://myh66.com>

<http://usermanuals.us>

<http://www.somanuals.com>

<http://www.4manuals.cc>

<http://www.manual-lib.com>

<http://www.404manual.com>

<http://www.luxmanual.com>

<http://aubethermostatmanual.com>

Golf course search by state

<http://golfingnear.com>

Email search by domain

<http://emailbydomain.com>

Auto manuals search

<http://auto.somanuals.com>

TV manuals search

<http://tv.somanuals.com>