

VP PARABOLIC VPA2G12PP317

Page 1 of 2

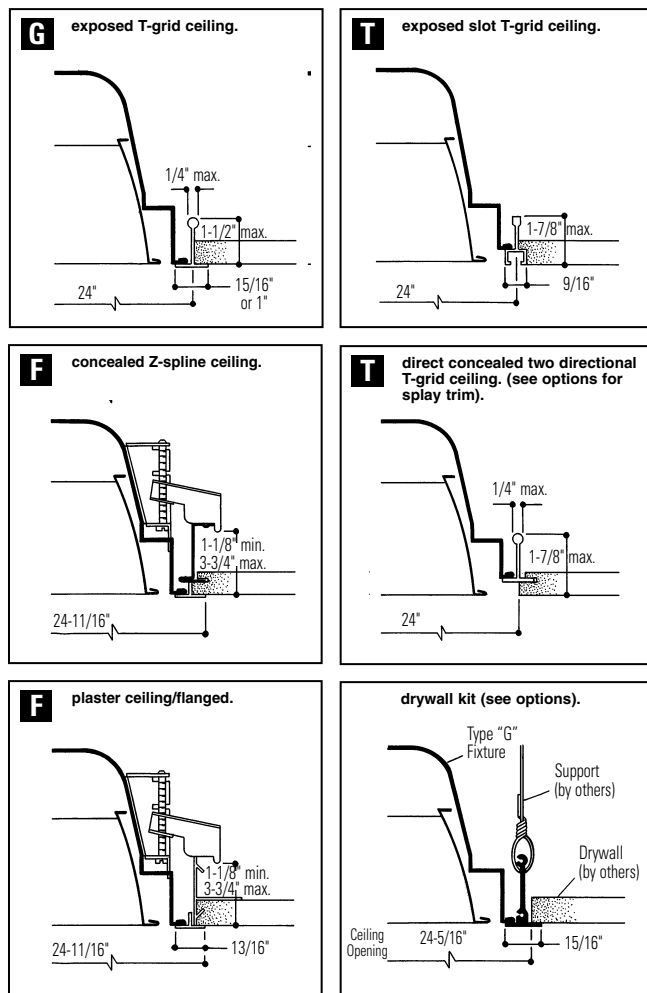
2'x2' RECESSED FLUORESCENT, 4" DEEP, 12 CELL (3x4) PARABOLIC LOUVER
 STATIC OR AIR SUPPLY/RETURN, IES RP1 FOR INTENSE VDT USE (PREFERRED)

Features

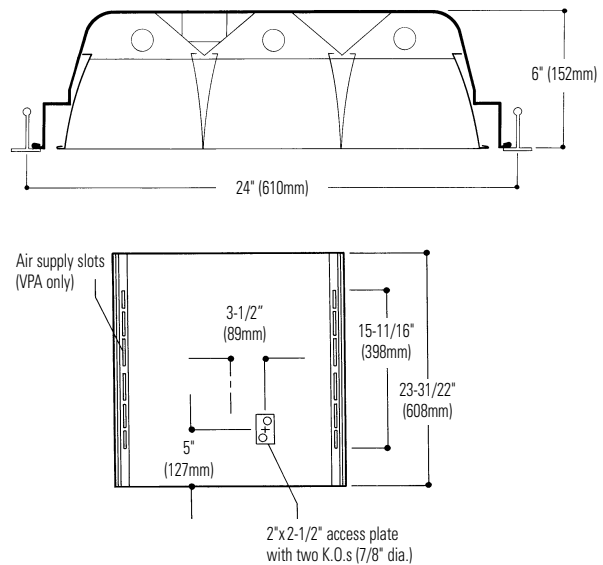
- Meets IES RP1 for lighting VDT areas with intense use.
- 62.1% efficient (T8).
- 1.4 spacing mounting ratio.
- Only 6" deep body.
- One-piece housing.
- Specular low iridescence pre-anodized louver.
- Spring-loaded latches.
- Concealed "T" hinges.
- Louver frame with integral positive light stop.
- Earthquake clips included.
- Louver has protective film dust guard.
- Air closure strips (optional).
- UL-Listed twin knockout access plate.
- Construction to meet Chicago Plenum Code is available.



MOUNTING METHODS



DIMENSIONS



Job Information

Type:

Job Name:

Cat. No.:

Lamp(s):

Volts/Ballast:

Lightolier a Genlyte Thomas Company

www.lightolier.com

Technical Information: (978) 657-7600 • Fax (978) 658-0595

631 Airport Road, Fall River, MA 02720 • (508) 679-8131 • Fax (508) 674-4710

We reserve the right to change details of design, materials and finish.

© 2002 Genlyte Thomas Group LLC (Lightolier Division)

A0902

SECTION 2/Folio G05-22 REV. A

LIGHTOLIER



VP PARABOLIC VPA2G12PP317

2'x2' RECESSED FLUORESCENT, 4" DEEP, 12 CELL (3x4) PARABOLIC LOUVER
 STATIC OR AIR SUPPLY/RETURN, IES RP1 FOR INTENSE VDT USE (PREFERRED)

PHOTOMETRY

MODEL NO. VPA2G12PP317SO

LER = FP - 49.0 IW - 47.0 BF - 0.90
 Comparative yearly lighting energy cost per 1000 lumens = \$4.89

GT TESTING LABORATORY
 45 Industrial Way
 Wilmington, MA 01897
 (508) 657-7600

REPORT NO.: G94036 DATE: 06-06-1994
 CATALOG NO.: VPA2G12PP317120SO
 LAMP(S): 3 FITTS, EACH RATED 1375 LUMENS
 LUMINAIRE: 2X2 VDT TROFFER, WITH 12 CELL
 LI SPECULAR LOUVER, B332I120RH BALLAST
 120VAC, WATTS = 47, BF = 0.90

CANDELA DISTRIBUTION

0	5	15	25	35	45	55	65	75	85	90
0.0	1225	1225	1225	1225	1225	1225	1225	1225	1225	1225
119	376	694	766	497	108	3	0	0	0	0

ZONAL LUMEN SUMMARY

ZONE	LUMENS	%LAMP	%FIXT
0-30	1190	28.8	48.4
0-40	1955	47.4	78.3
0-60	2559	62.0	99.9
0-90	2562	62.1	100.0
90-180	0	0.0	0.0
0-180	2562	62.1	100.0

TOTAL LUMINAIRE EFFICIENCY = 62.1 %
TOTAL REFLECTANCE OF PAINT = 91.0 %

PLANE : DIRECT : 0-DEG 90-DEG
 SPACING CRITERIA : 1.2 1.4
 SHIELDING ANGLES : 55 55
 LUMINOUS LENGTH : 21.500 21.500

LUMINANCE DATA IN CANDELA/SQ M

ANGLE IN DEG	0-DEG	45-DEG	90-DEG
0	4106.	4106.	4106.
45	3281.	3143.	1882.
55	543.	637.	158.
65	32.	16.	16.
75	13.	0.	0.
85	0.	0.	0.

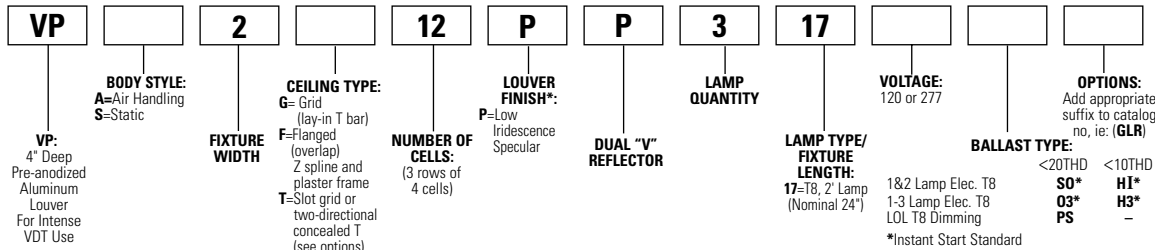
coefficients of utilization — zonal cavity method (effective floor cavity reflectance 0.20)

RF	20			50			80			
RC	80	50	30	80	50	30	80	50	30	
RV	70	50	30	50	30	10	50	30	10	
room cavity ratio	1	70	68	67	64	63	62	62	61	60
	2	66	63	60	60	58	56	58	56	55
	3	62	58	55	55	53	51	54	52	50
	4	59	53	49	51	48	46	50	47	45
	5	55	49	45	47	44	41	46	43	41
	6	51	45	41	44	40	37	43	39	37
	7	48	41	37	40	36	34	39	36	33
	8	44	37	33	36	33	30	36	32	30
	9	41	34	29	33	29	26	32	29	26
	10	38	31	26	30	26	23	29	26	23

visual comfort probability (rated lumens per lamp 3150.)

room size		ceiling height				ceiling height			
W	L	8.5	10.0	13.0	16.0	8.5	10.0	13.0	16.0
20	20	92	92	83	83	98	98	98	93
20	30	89	93	92	83	98	99	98	94
20	40	89	93	92	84	98	99	98	94
20	60	90	94	92	84	98	99	98	94
30	20	89	93	92	86	98	99	98	94
30	30	90	94	92	87	98	99	98	94
30	40	90	94	92	87	98	99	98	94
30	60	90	94	92	87	98	99	98	94
40	20	89	93	92	86	98	99	98	94
40	30	90	94	92	87	98	99	98	94
40	40	90	94	92	87	98	99	98	94
40	60	90	94	93	87	98	99	98	95
40	80	90	94	93	87	98	99	98	95
40	100	90	94	93	87	98	99	98	95
60	30	90	94	92	87	98	99	98	94
60	40	90	94	93	87	98	99	98	95
60	60	90	94	93	87	98	99	98	95
60	80	90	94	93	87	98	99	98	95
60	100	90	94	93	87	98	99	98	95
100	40	90	94	93	87	98	99	98	95
100	60	90	94	93	87	98	99	98	95
100	80	90	94	93	87	98	99	98	95
100	100	90	94	93	88	98	99	98	95

ORDERING INFORMATION Explanation of Catalog Number. Example: VPA2G12PP317120SOGLR



OPTIONS & ACCESSORIES

- PLASTER FRAME:** Catalog Number: PF22.
- CONTINUOUS ROW INSTALLATION:** For F type fixtures, half-width flanges are required between fixtures. Order Catalog Number: **SZFACTRIM** (each joint).
- SPLAY TRIM:** For T ceiling type only. SUFFIX: **CTZ22 S2 SPLAY TRIM**.
- RADIO INTERFERENCE FILTER:** 120 or 277 volt, 50 or 60 Hz. One per fixture standard. SUFFIX: **RF**.
- ELECTRICAL WIRING OPTIONS:** Consult factory.
- AIR CLOSURE STRIP:** SUFFIX **ACS2** (factory installed).
- DRYWALL KIT:** Order Catalog Number: **FK92X2**. (Request Folio OA30-10)
- CHICAGO PLENUM:** SUFFIX: **CP**.

SPECIFICATIONS

PERFORMANCE: In an installation of 2 lamp 17W luminaires in a room cavity ratio of 1, reflectance 80% ceiling, 50% wall, 20% floor, the C.U. shall not be less than .68 with a spacing to mounting ratio of 1.4 perpendicular to the lamps. To meet IES RP1 preferred requirements for VDT areas the VCP (visual comfort probability) shall not be less than 90 either crosswise or lengthwise and the maximum average brightness at 55°, 65°, 75° and 85° shall not exceed 637, 32, 13 and 0 candelas per square meter respectively in the 0°, 45°, and 90° horizontal planes.

Other dimming options. Consult factory.

SPECIFICATIONS (continued)

- AIR HANDLING:** (VPA only) side air passages for air supply or air return. Optional side closure strips. Air return is also provided through the lamp compartment through fixture body ends.
- MATERIALS:** Chassis parts are die formed code gauge cold rolled steel.
- Housing** side rails hemmed over and housing ends turned-in for safe handling.
- Louver** is pre-anodized aluminum (Coilzak® or equal).
- FINISH:** Chassis exterior—black baked polyester enamel. Cavity—white baked polyester enamel minimum 86% reflectance. Phosphate undercoating.
- Louver**—low iridescence specular anodized vertical grain aluminum reflector sheet is standard.
- ELECTRICAL:** Thermally protected class "P" ballast C.B.M. approved, non PCB. If K.O. is within 3" of ballast, use wire suitable for at least 90°.
- LABELS:** I.B.E.W./UL and C-UL.

Job Information Type:

Lightolier a Genlyte Thomas Company www.lightolier.com
 Technical Information: (978) 657-7600 • Fax (978) 658-0595
 631 Airport Road, Fall River, MA 02720 • (508) 679-8131 • Fax (508) 674-4710
 We reserve the right to change details of design, materials and finish.
 © 2002 Genlyte Thomas Group LLC (Lightolier Division)
 A0902 **SECTION 2/Folio G05-22 REV. A**



Free Manuals Download Website

<http://myh66.com>

<http://usermanuals.us>

<http://www.somanuals.com>

<http://www.4manuals.cc>

<http://www.manual-lib.com>

<http://www.404manual.com>

<http://www.luxmanual.com>

<http://aubethermostatmanual.com>

Golf course search by state

<http://golfingnear.com>

Email search by domain

<http://emailbydomain.com>

Auto manuals search

<http://auto.somanuals.com>

TV manuals search

<http://tv.somanuals.com>