

VP PARABOLIC VPA2G27PP332

Page 1 of 2

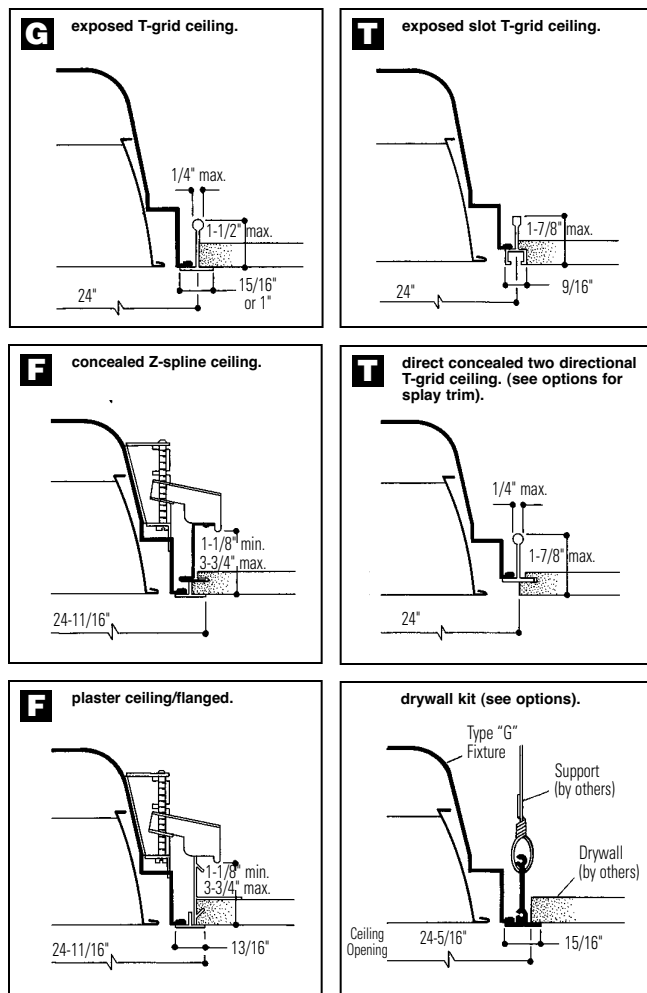
2'x4' RECESSED FLUORESCENT, 4" DEEP, 27 CELL (3x9) PARABOLIC LOUVER
 STATIC OR AIR SUPPLY/RETURN, IES RP1 FOR INTENSE VDT USE (PREFERRED)

Features

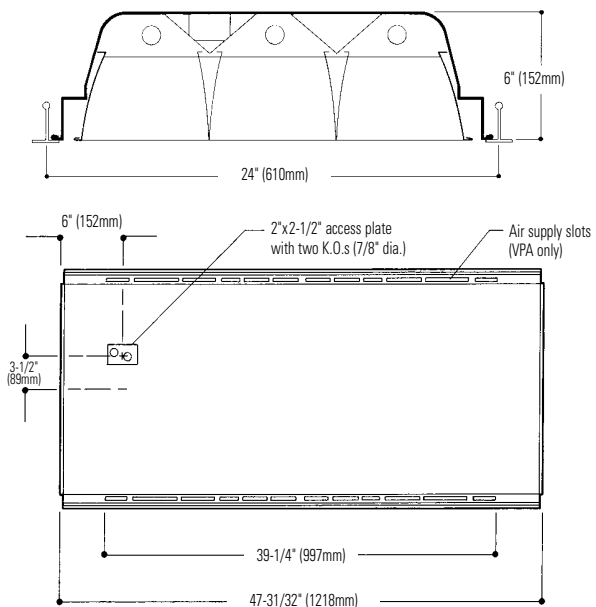
- Meets IES RP1 for lighting VDT areas with intense use.
- 66% efficient (T8).
- 1.5 spacing mounting ratio.
- Only 6" deep body.
- One-piece housing.
- Specular low iridescence pre-anodized louver.
- Spring-loaded latches.
- Concealed "T" hinges.
- Louver frame with integral positive light stop.
- Earthquake clips included.
- Louver has protective film dust guard.
- Air closure strips (optional).
- Air flow pattern dampers (optional).
- UL-Listed twin knockout access plate.
- Construction to meet Chicago Plenum Code is available.



MOUNTING METHODS



DIMENSIONS



Job Information

Type:

Job Name:

Cat. No.:

Lamp(s):

Volts/Ballast:

Lightolier a Genlyte Thomas Company www.lightolier.com
 Technical Information: (978) 657-7600 • Fax (978) 658-0595
 631 Airport Road, Fall River, MA 02720 • (508) 679-8131 • Fax (508) 674-4710
 We reserve the right to change details of design, materials and finish.
 © 2002 Genlyte Thomas Group LLC (Lightolier Division)
 A0902 **SECTION 2/Folio G05-30 REV. A**

LIGHTOLIER®



VP PARABOLIC VPA2G27PP332

2'x4' RECESSED FLUORESCENT, 4" DEEP, 27 CELL (3x9) PARABOLIC LOUVER STATIC OR AIR SUPPLY/RETURN, IES RP1 FOR INTENSE VDT USE (PREFERRED)

PHOTOMETRY

MODEL NO. VPA2G27PP33203

LER = FP - 46.1 IW - 116.4 BF - 95.1
Comparative yearly lighting energy cost per 1000 lumens = \$5.20

itl boulder
INDEPENDENT TESTING LABORATORIES, INC. • 3308 LONGHORN ROAD, BOULDER COLORADO 80502 • PHONE (303) 442-1254
FAX (303) 449-5274

REPORT NUMBER: ITL41123
PREPARED FOR: LIGHTOLIER
CATALOG NUMBER: VPA2G27PP33212003
DATE: 9-28-1993

LUMINAIRE: FABRICATED METAL HOUSING, WHITE PAINTED GENERAL INTERIOR FINISH INCLUDING BALLAST COVERS, FABRICATED SPECULAR ALUMINUM PARABOLIC 27-CELL LOUVER.

LAMPS: THREE 32-WATT F32T8/TL841 FLUORESCENTS, EACH RATED 2850 LUMENS.
BALLASTS: ONE ADVANCE R2P32-TP, ONE ADVANCE R1P32-TP
MOUNTING: RECESSED
TOTAL INPUT WATTS = 116.4 AT 120.0 VOLTS
LUMEN TO CANDELA RATIO USED = 9.17
THE 0 DEGREE PLANE IS PARALLEL WITH THE LAMPS.

CANDELA DISTRIBUTION

ANGLE	0	5	15	25	35	45	55	65	75	85	90
0	2798	2798	2798	2798	2798	2798	2798	2798	2798	2798	2798
5	2804	2804	2811	2804	2811	269					
15	2675	2739	2855	2940	2954	806					
25	2470	2633	2954	3552	3831	1417					
35	2150	2484	3188	3236	3090	1766					
45	1586	2001	1807	1119	960	1176					
55	41	197	269	180	88	210					
65	0	0	0	0	0	0					
75	0	0	0	0	0	0					
85	0	0	0	0	0	0					
90	0	0	0	0	0	0					

ZONAL LUMEN SUMMARY

ZONE	LUMENS	%LAMP	%FIXT
0-30	2492	29.1	44.1
0-40	4258	49.8	75.4
0-60	5644	66.0	100.0
0-90	5644	66.0	100.0
90-180	0	0.0	0.0
0-180	5644	66.0	100.0

TOTAL LUMINAIRE EFFICIENCY = 66.0 %
TOTAL REFLECTANCE OF PAINT = 92.2 %
CIE TYPE - DIRECT
PLANE SPACING CRITERIA : 0-DEG 90-DEG 1.2 1.5
SHIELDING ANGLES : 40 44
PLANE SHIELDING : 0-DEG 90-DEG
LUMINOUS LENGTH : 45.500 21.438

LUMINANCE DATA IN CANDELA/SQ M

ANGLE	AVERAGE	AVERAGE
IN DEG	0-DEG	45-DEG 90-DEG
45	3563.	4059. 2157.
55	114.	745. 244.
65	0.	0. 0.
75	0.	0. 0.
85	0.	0. 0.

Checked: S. Seuberg
Approved: C. Chapman

coefficients of utilization — zonal cavity method (effective floor cavity reflectance 0.20)

RF	20			20			20			
RC	80			50			30			
RW	70	50	30	50	30	10	50	30	10	
room cavity ratio	1	74	72	70	68	67	65	66	64	63
	2	70	66	63	63	60	58	61	59	57
	3	65	60	56	57	54	52	56	53	51
	4	61	55	51	53	49	46	51	48	46
	5	57	50	46	48	45	42	47	44	41
	6	53	46	41	45	41	38	44	40	37
	7	50	42	38	41	37	34	40	37	34
	8	47	39	34	38	34	31	37	33	31
	9	44	36	32	35	31	28	34	31	28
	10	41	34	29	33	29	26	32	28	26

visual comfort probability (rated lumens per lamp 3150.)

room size		ceiling height				ceiling height			
W	L	8.5	10.0	13.0	16.0	8.5	10.0	13.0	16.0
20	20	89	95	92	83	97	97	97	90
20	30	90	95	93	83	97	97	97	91
20	40	90	95	93	83	97	97	97	91
20	60	90	95	93	83	97	98	97	91
30	20	90	95	93	86	97	97	97	92
30	30	90	95	93	86	97	98	97	92
30	40	90	95	93	86	97	98	97	92
30	60	90	95	93	87	97	98	97	92
30	80	90	95	93	87	97	98	97	92
40	20	90	95	93	86	97	97	97	92
40	30	90	95	93	86	97	98	97	92
40	40	90	95	93	87	97	98	97	92
40	60	90	95	93	87	97	98	97	92
40	80	90	95	93	87	97	98	97	92
40	100	90	95	93	87	97	98	97	92
60	30	90	95	93	86	97	98	97	92
60	40	90	95	93	87	97	98	97	92
60	60	90	95	93	87	97	98	97	92
60	80	91	95	91	87	97	98	97	92
60	100	91	95	91	87	97	98	98	93
100	40	90	95	93	87	97	98	97	92
100	60	91	95	91	87	97	98	97	92
100	80	91	95	91	87	97	98	98	93
100	100	91	95	91	87	97	98	98	93

ORDERING INFORMATION

Explanation of Catalog Number. Example: VPA2G27PP33212003GLR

VP		2		27	P	P	3				
VP: 4" Deep Pre-anodized Aluminum Louver For Intense VDT Use	BODY STYLE: A=Air Handling S=Static	FIXTURE WIDTH	CEILING TYPE: G= Grid (lay-in T bar) F=Flanged (overlap) Z spline and plaster frame T=Slot grid or two-directional concealed T (see options)	NUMBER OF CELLS: (3 rows of 9 cells)	LOUVER FINISH*: P=Low Iridescence S=Specular	DUAL "V" REFLECTORS	LAMP QUANTITY	LAMP TYPE/ FIXTURE LENGTH: 32=T8 34=T12 (Nominal 48")	VOLTAGE: 120 or 277	BALLAST TYPE: LE 1 & 2 Lamp Mag. T12 1 & 2 Lamp Elec. T8 1-3 Lamp Elec. T8 LOL T8 Dimming *Instant Start Standard Other dimming options consult factory.	OPTIONS: Add appropriate suffix to catalog no. ie: (GLR) LE <20THD SO* <10THD HI* O3* H3* PS -

OPTIONS & ACCESSORIES

- PLASTER FRAME:** Catalog Number: PF24.
- CONTINUOUS ROW INSTALLATION:** For F type fixtures, half-width flanges are required between fixtures. Order Catalog Number: S2FCTRIM (each joint).
- SPLAY TRIM:** For T ceiling type only. SUFFIX: CT24 S2 SPLAY TRIM.
- RADIO INTERFERENCE FILTER:** 120 or 277 volt, 50 or 60 Hz. One per fixture standard. SUFFIX: RF.
- ELECTRICAL/WIRING OPTIONS:** Consult factory.
- AIR CLOSURE STRIPS:** SUFFIX ACS4 (factory installed).
- DRYWALL KIT:** Order Catalog Number: FK92X4. Request Folio OA30-10.
- CHICAGO PLENUM:** SUFFIX: CP.

SPECIFICATIONS

PERFORMANCE: In an installation of 3 lamp 32W luminaires in a room cavity ratio of 1, reflectance 80% ceiling, 50% wall, 20% floor, the C.U. shall not be less than .72 with a spacing to mounting ratio of 1.5 perpendicular to the lamps. To meet IES RP1 preferred requirements for VDT areas the VCP (visual comfort probability) shall not be less than 90 either crosswise or lengthwise and the maximum average brightness at 55°, 65°, 75° and 85° shall not exceed 745, 0, 0 and 0 candelas per square meter respectively in the 0°, 45°, and 90° horizontal planes.

AIR HANDLING: (VPA only) side air passages for air supply or air return. Supply air is discharged vertically. Optional side closure strips. Air return is also provided through the lamp compartment through fixture body ends.

SPECIFICATIONS (continued)

MATERIALS: Chassis parts are die formed code gauge cold rolled steel. Housing side rails hemmed over and housing ends turned-in for safe handling. Louver is pre-anodized aluminum (Coilzak® or equal).

FINISH: Chassis exterior—black baked polyester enamel. Cavity—white baked polyester enamel minimum 86% reflectance. Phosphate undercoating.

Louvers: low iridescence specular anodized vertical grain aluminum reflector sheet is standard.

ELECTRICAL: Thermally protected class "P" ballast C.B.M. approved, non PCB. If K.O. is within 3" of ballast, use wire suitable for at least 90°.

LABELS: I.B.E.W./UL and C-UL.

Job Information	Type:
Lightolier a Genlyte Thomas Company Technical Information: (978) 657-7600 • Fax (978) 658-0595 631 Airport Road, Fall River, MA 02720 • (508) 679-8131 • Fax (508) 674-4710 We reserve the right to change details of design, materials and finish. © 2002 Genlyte Thomas Group LLC (Lightolier Division) A0902	www.lightolier.com

SECTION 2/Folio G05-30 REV. A

LIGHTOLIER®

Free Manuals Download Website

<http://myh66.com>

<http://usermanuals.us>

<http://www.somanuals.com>

<http://www.4manuals.cc>

<http://www.manual-lib.com>

<http://www.404manual.com>

<http://www.luxmanual.com>

<http://aubethermostatmanual.com>

Golf course search by state

<http://golfingnear.com>

Email search by domain

<http://emailbydomain.com>

Auto manuals search

<http://auto.somanuals.com>

TV manuals search

<http://tv.somanuals.com>