

# VP PARABOLIC VPA2G29PR232

Page 1 of 2

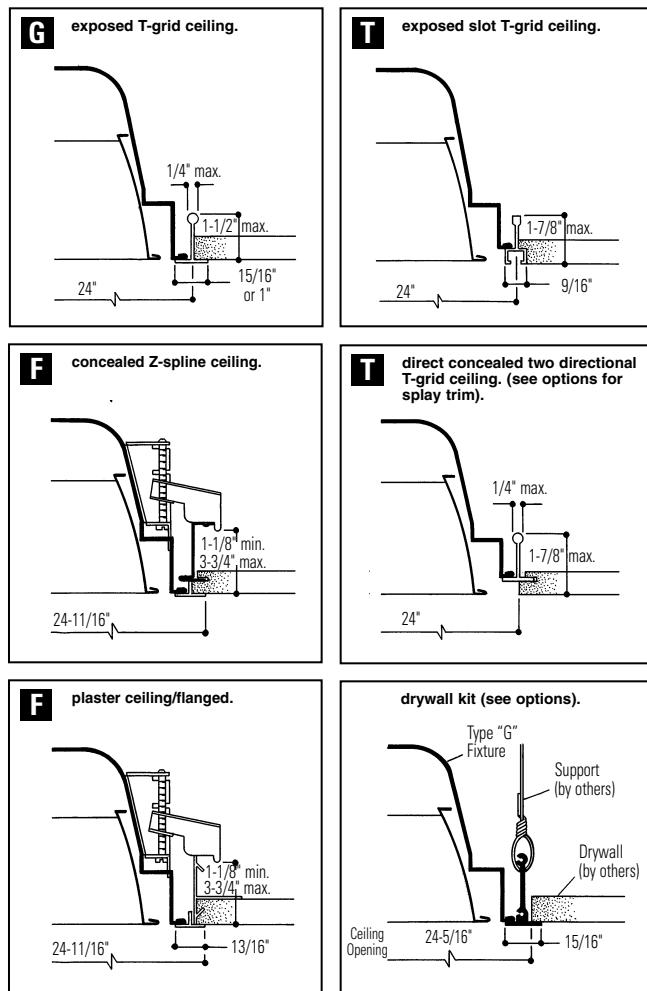
2'x4' RECESSED FLUORESCENT, 4" DEEP, 18 CELL (2x9) PARABOLIC LOUVER  
 STATIC OR AIR SUPPLY/RETURN, IES RP1 FOR INTENSE VDT USE (PREFERRED)

## Features

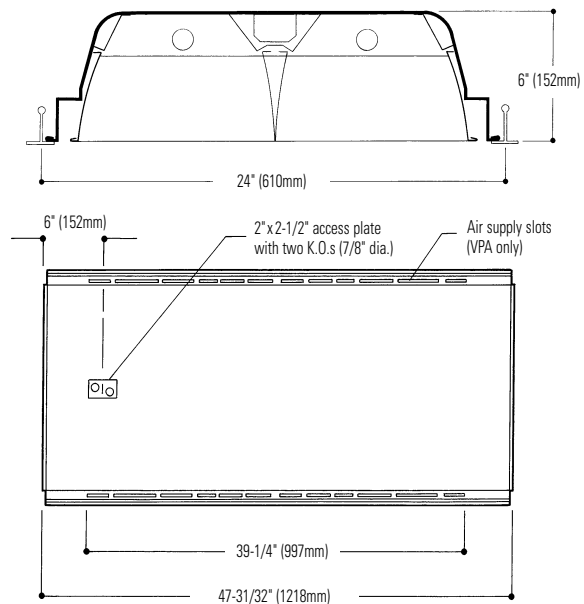
- Meets IES RP1 for lighting VDT areas with intense use.
- Can provide 49 maintained footcandles at .78 watts per square foot (8x10 module).
- 70% efficient (T8).
- 1.8 spacing mounting ratio.
- Only 6" deep body.
- One-piece housing.
- Specular low iridescence pre-anodized louver.
- Spring-loaded latches.
- Concealed "T" hinges.
- Louver frame with integral positive light stop.
- Earthquake clips included.
- Louver has protective film dust guard.
- Air closure strips (optional).
- UL-Listed twin knockout access plate.
- Construction to meet Chicago Plenum Code is available.



## MOUNTING METHODS



## DIMENSIONS



## Job Information

## Type:

**Job Name:**

**Cat. No.:**

**Lamp(s):**

**Volts/Ballast:**

Lightolier a Genlyte Thomas Company [www.lightolier.com](http://www.lightolier.com)  
 Technical Information: (978) 657-7600 • Fax (978) 658-0595  
 631 Airport Road, Fall River, MA 02720 • (508) 679-8131 • Fax (508) 674-4710  
 We reserve the right to change details of design, materials and finish.  
 © 2002 Genlyte Thomas Group LLC (Lightolier Division)  
 A0902 **SECTION 2/Folio G05-26 REV. A**

**LIGHTOLIER®**



# VP PARABOLIC VPA2G29PR232

## 2'x4" RECESSED FLUORESCENT, 4" DEEP, 18 CELL (2x9) PARABOLIC LOUVER STATIC OR AIR SUPPLY/RETURN, IES RP1 FOR INTENSE VDT USE (PREFERRED)

### PHOTOMETRY

MODEL NO. VPA2G29PR232SO

LER = FP - 63.8 IW - 61.2 BF - 96.2

Comparative yearly lighting energy cost per 1000 lumens = \$3.76

INDEPENDENT TESTING LABORATORIES, INC. • 3388 LONGHORN ROAD, BOULDER, CO 80502 USA • PHONE (303) 442-5274  
 REPORT NUMBER: ITL40752 DATE: 7-16-1993  
 PREPARED FOR: LIGHTOLIER REVISED: 6-27-1994  
 CATALOG NUMBER: VPA2G29PR232120SO  
 LUMINAIRE: FABRICATED METAL HOUSING, WHITE PAINTED GENERAL INTERIOR, FABRICATED SPECULAR ALUMINUM BALLAST COVER AND SIDE REFLECTOR STRIPS, FABRICATED SPECULAR ALUMINUM PARABOLIC 18-CELL LOUVER.  
 LAMPS: TWO 32-WATT F29S/PL741 FLUORESCENTS, EACH RATED 2850 LUMENS.  
 BALLAST: MAGNETEK TRIAD B2321120RH, BALLAST FACTOR: 96.2%  
 MOUNTING: RECESSED  
 TOTAL INPUT WATTS = 61.2 AT 120.0 VOLTS  
 LUMEN TO CANDELA RATIO USED= 9.17  
 THE 0 DEGREE PLANE IS PARALLEL WITH THE LAMPS.

**CANDELA DISTRIBUTION**

0.0	22.5	45.0	67.5	90.0	
0	1437	1437	1437	1437	137
5	1446	1446	1431	1431	414
15	1386	1412	1464	1520	1528
25	1289	1349	1569	2120	2467
35	1118	1319	2266	2772	3033
45	827	1312	1781	1602	1185
55	75	300	299	298	45
65	0	0	0	48	0
75	0	0	0	0	0
85	0	0	0	0	0
90	0	0	0	0	0

**FLOX**

0°	45°	90°
137	414	1528
799	1300	1071
253	17	17

**ZONAL LUMEN SUMMARY**

ZONE	LUMENS	%LAMP	%FIXT
0-30	1350	23.7	33.8
0-40	2651	46.5	66.4
0-60	3975	69.7	99.6
0-90	3992	70.0	100.0
90-180	0	0.0	0.0
-180	3992	70.0	100.0

TOTAL LUMINAIRE EFFICIENCY = 70.0 %  
 TOTAL REFLECTANCE OF PAINT = 92.5 %  
 CIE TYPE - DIRECT  
 PLANE SPACING CRITERIA : 0-DEG 90-DEG : 1.3 1.8  
 SHIELDING ANGLES : 42 38  
 FLAME : 0-DEG 90-DEG : 0 0  
 LUMINOUS LENGTH : 45.500 21.520

**LUMINANCE DATA IN CANDELA/SQ M**

ANGLE	AVERAGE	AVERAGE	AVERAGE
IN DEG	0-DEG	45-DEG	90-DEG
45	1852.	3989.	2654.
55	207.	834.	124.
65	0.	0.	0.
75	0.	0.	0.
85	0.	0.	0.

Checked by: [Signature]  
 Approved: [Signature]

THIS REPORT IS BASED ON PUBLISHED INDUSTRY PROCEDURES. FIELD PERFORMANCE MAY DIFFER FROM LABORATORY PERFORMANCE.

**coefficients of utilization — zonal cavity method** (effective floor cavity reflectance 0.20)

	RF	RC	RW	20	50	30	50	30	10	50	30	10		
room cavity ratio	1	2	3	4	5	6	7	8	9	10	69	68	67	
	2	3	4	5	6	7	8	9	10	65	63	60	61	
	3	4	5	6	7	8	9	10	59	56	53	58	55	52
	4	5	6	7	8	9	10	54	50	47	52	49	46	
	5	6	7	8	9	10	49	45	41	48	44	41	38	
	6	7	8	9	10	45	40	37	44	40	36	33	30	
	7	8	9	10	41	36	33	30	36	32	29	26	23	
	8	9	10	37	33	29	26	23	34	30	26	23	20	
	9	10	34	30	26	23	20	17	34	30	26	23	20	
	10	41	33	27	24	21	18	15	31	27	24	21	18	

**visual comfort probability** (rated lumens per lamp 3150.)

room size		ceiling height				ceiling height			
W	L	8.5	10.0	13.0	16.0	8.5	10.0	13.0	16.0
20	20	92	95	95	87	94	94	92	85
20	30	92	95	95	87	94	94	93	88
20	40	93	95	95	88	95	94	93	88
20	60	93	95	95	88	95	94	93	88
30	20	92	95	95	89	94	94	93	87
30	30	93	95	96	89	95	94	93	89
30	40	93	95	96	89	95	94	93	89
30	60	93	95	96	89	95	94	93	90
30	80	93	95	96	90	95	94	93	90
40	20	92	95	95	91	94	94	93	88
40	30	93	95	96	91	95	94	93	89
40	40	93	95	96	91	95	94	93	90
40	60	93	95	96	91	95	94	93	90
40	80	93	95	96	91	95	94	93	90
40	100	93	96	96	91	95	94	93	90
60	30	93	95	96	91	95	94	93	89
60	40	93	95	96	91	95	94	93	90
60	60	93	96	96	91	95	94	93	90
60	80	93	96	96	91	95	94	93	90
60	100	93	96	95	91	95	94	93	90
100	40	93	95	96	91	95	94	93	90
100	60	93	96	95	91	95	94	93	90
100	80	93	96	95	91	95	94	94	90
100	100	93	96	95	91	95	94	94	90

### ORDERING INFORMATION

Explanation of Catalog Number. Example: VPA2G29PR232120SOGLR

<b>VP</b>	<b>A</b>	<b>2</b>	<b>29</b>	<b>P</b>	<b>R</b>	<b>2</b>					
<b>VP:</b> 4" Deep Pre-anodized Aluminum Louver For Intense VDT Use	<b>BODY STYLE:</b> A=Air Handling S=Static	<b>FIXTURE WIDTH</b>	<b>CEILING TYPE:</b> G=Grid (lay-in T bar) F=Flanged (overlap) Z spline and plaster frame T=Slot grid or two-directional concealed T (see options)	<b>LOUVER FINISH*:</b> P=Low Iridescence Specular	<b>PREMIUM SPECULAR REFLECTOR</b>	<b>LAMP QUANTITY</b>	<b>LAMP TYPE/ FIXTURE LENGTH:</b> 32=T8 34=T12 (Nominal 48")	<b>VOLTAGE:</b> 120 or 277	<b>BALLAST TYPE:</b> 1-2 Lamp Mag. T12 1-2 Lamp Elec. T8 LOL T8 Dimming *Instant Start Standard	<b>OPTIONS:</b> Add appropriate suffix to catalog no. ie: (GLR) LE <20THD SO* PS HI* -	

Other dimming options consult factory.

### OPTIONS & ACCESSORIES

- PLASTER FRAME:** Catalog Number: PF24.
- CONTINUOUS ROW INSTALLATION:** For F type fixtures, half-width flanges are required between fixtures, Order Catalog Number: S2FCTRIM (each joint).
- SPLAY TRIM:** For T ceiling type only. SUFFIX: CT24 S2 SPLAY TRIM.
- RADIO INTERFERENCE FILTER:** 120 or 277 volt, 50 or 60 Hz. One per fixture standard. SUFFIX: RF.
- ELECTRICAL/WIRING OPTIONS:** Consult factory.
- AIR CLOSURE STRIP:** SUFFIX ACS4 (factory installed).
- DRYWALL KIT:** Order Catalog Number: FK92X4. Request Folio OA30-10.
- CHICAGO PLENUM:** SUFFIX: CP.

### SPECIFICATIONS

**PERFORMANCE:** In an installation of 2 lamp 32W luminaires in a room cavity ratio of 1, reflectance 80% ceiling, 50% wall, 20% floor, the C.U. shall not be less than .76 with a spacing to mounting ratio of 1.8 perpendicular to the lamps. To meet IES RP1 preferred requirements for VDT areas the VCP (visual comfort probability) shall not be less than 93 either crosswise or lengthwise and the maximum average brightness at 55°, 65°, 75° and 85° shall not exceed 834, 0, 0 and 0 candelas per square meter respectively in the 0°, 45°, and 90° horizontal planes. Candelas at Nadir (0°) not to exceed 1437.

### SPECIFICATIONS (continued)

- AIR HANDLING:** (VPA only) side air passages for air supply or air return. Optional side closure strips. Air return is also provided through the lamp compartment through fixture body ends.
- MATERIALS:** Chassis parts are die formed code gauge cold rolled steel.
- Housing** side rails hemmed over and housing ends turned-in for safe handling.
- Louver** is pre-anodized aluminum (Coilzak® or equal).
- FINISH:** Chassis exterior—black baked polyester enamel. **Cavity**—white baked polyester enamel minimum 86% reflectance. Phosphate undercoating.
- Louver**—low iridescence specular anodized vertical grain aluminum reflector sheet is standard.
- ELECTRICAL:** Thermally protected class "P" ballast C.B.M. approved, non PCB. If K.O. is within 3" of ballast, use wire suitable for at least 90°.
- LABELS:** I.B.E.W./UL and C-UL.

### Job Information Type:

**Lightolier** a Genlyte Thomas Company www.lightolier.com  
 Technical Information: (978) 657-7600 • Fax (978) 658-0595  
 631 Airport Road, Fall River, MA 02720 • (508) 679-8131 • Fax (508) 674-4710  
 We reserve the right to change details of design, materials and finish.  
 © 2002 Genlyte Thomas Group LLC (Lightolier Division)  
 A0902 SECTION 2/Folio G05-26 REV. A



## Free Manuals Download Website

<http://myh66.com>

<http://usermanuals.us>

<http://www.somanuals.com>

<http://www.4manuals.cc>

<http://www.manual-lib.com>

<http://www.404manual.com>

<http://www.luxmanual.com>

<http://aubethermostatmanual.com>

Golf course search by state

<http://golfingnear.com>

Email search by domain

<http://emailbydomain.com>

Auto manuals search

<http://auto.somanuals.com>

TV manuals search

<http://tv.somanuals.com>