

# VR PARABOLIC VRA1G12LS132

Page 1 of 2

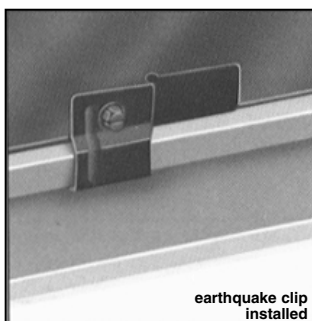
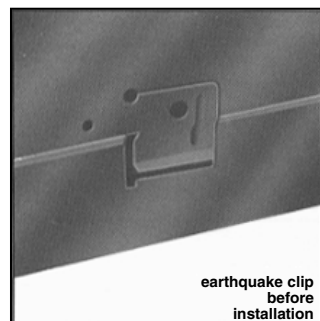
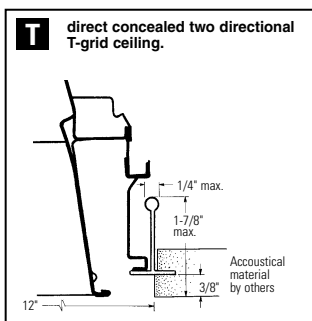
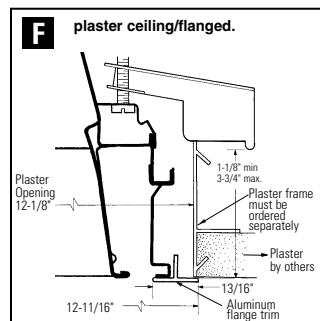
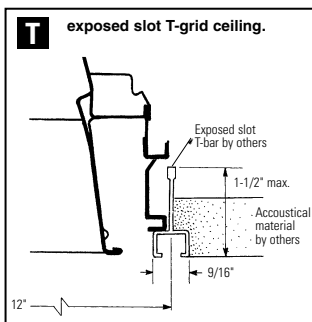
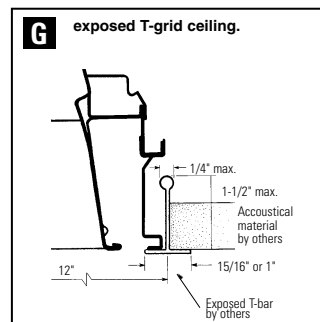
1'x4' RECESSED FLUORESCENT, 3" DEEP, 12 CELL (1 ROW) PARABOLIC LOUVER  
 STATIC OR AIR SUPPLY/RETURN, 2 LAMP T8 OR T12

## Features

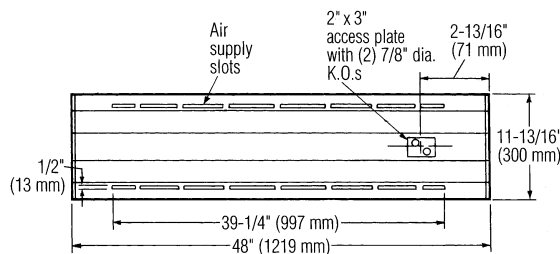
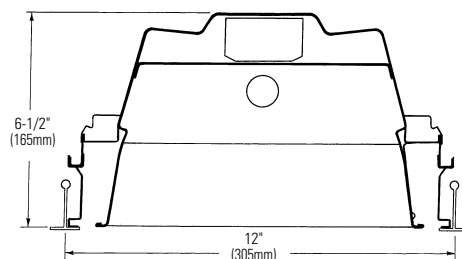
- 60.3% efficient (T8).
- 1.4 spacing mounting ratio.
- Semi-specular low iridescence pre-anodized louver.
- Vertical grain on louver eliminates reflected lamp image on cross baffle.
- Louver frame with integrated positive light stop.
- Spring loaded latches (self centering).
- Reversible louver hinging.
- Louver has protective dust guard.
- Only 6-5/8" deep body.
- Black housing exterior for cooler ballast operating temperature.
- Turned-in edges for safe handling.
- Built-in earthquake clip (pat. no. 5,072,344).
- UL-Listed twin knockout access plate.
- Air closure strips (optional).
- Construction to meet NYC Code or Chicago Plenum is available.



## MOUNTING METHODS



## DIMENSIONS



## Job Information

## Type:

**Job Name:**

**Cat. No.:**

**Lamp(s):**

**Volts/Ballast:**

Lightolier a Genlyte Thomas Company

www.lightolier.com

Technical Information: (978) 657-7600 • Fax (978) 658-0595

631 Airport Road, Fall River, MA 02720 • (508) 679-8131 • Fax (508) 674-4710

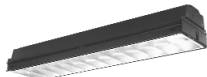
We reserve the right to change details of design, materials and finish.

© 2002 Genlyte Thomas Group LLC (Lightolier Division)

A0902

**SECTION 2/Folio G05-37 REV. A**

**LIGHTOLIER®**



# VR PARABOLIC VRA1G12LS132

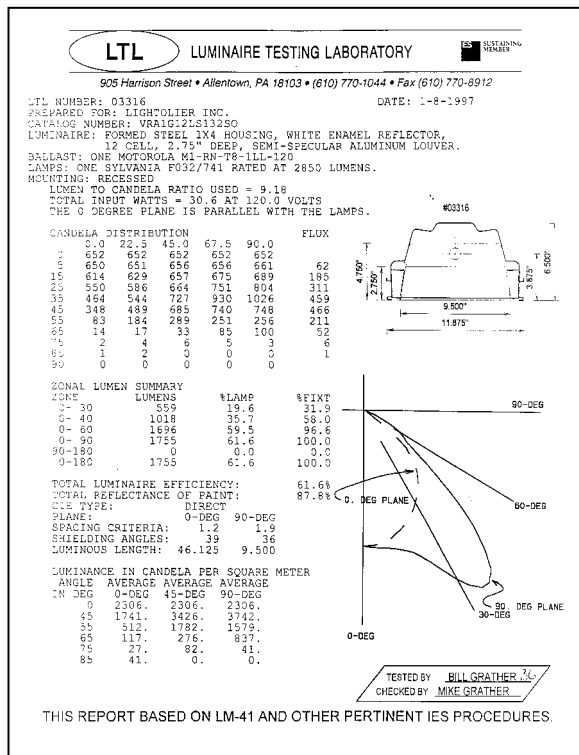
## 1'x4' RECESSED FLUORESCENT, 3" DEEP, 12 CELL (1 ROW) PARABOLIC LOUVER STATIC OR AIR SUPPLY/RETURN, IES RP1 FOR NORMAL VDT USE

### PHOTOMETRY

MODEL NO. VRA1G12LS132120SO

LER = FP - 50.1 IW - 30.6 BF - 0.88

Comparative yearly lighting energy cost per 1000 lumens = \$4.80



### coefficients of utilization — zonal cavity method

RF	20			20			20			
RC	80			50			30			
RW	70	50	30	50	30	10	50	30	10	
room cavity ratio	1	69	67	65	63	61	60	61	59	58
2	64	61	58	58	55	53	56	54	52	
3	60	55	51	52	49	47	51	48	46	
4	56	50	45	48	44	41	46	43	41	
5	51	45	40	43	39	36	42	38	36	
6	47	40	36	39	35	32	38	34	32	
7	44	36	31	35	31	28	34	30	28	
8	40	32	27	31	27	24	30	27	24	
9	37	29	24	28	23	20	27	23	20	
10	34	26	21	25	21	18	24	21	18	

### visual comfort probability

room size		ceiling height				ceiling height			
W	L	8.5	10.0	13.0	16.0	8.5	10.0	13.0	16.0
20	20	95	94	92	88	90	85	81	80
20	30	96	94	93	90	90	88	82	77
20	40	96	95	93	92	90	88	83	79
20	60	96	95	94	92	90	88	84	79
30	20	95	94	92	87	90	87	85	82
30	30	96	95	94	89	90	89	85	79
30	40	96	95	94	91	90	88	86	80
30	60	97	96	95	91	91	88	86	80
30	90	97	96	95	91	91	88	86	80
40	20	95	95	93	88	90	87	85	84
40	30	96	95	94	90	90	88	86	82
40	40	97	95	94	91	91	88	87	82
40	60	97	96	95	91	91	88	87	82
40	80	97	96	95	91	91	88	87	83
40	100	97	96	95	91	91	88	87	83
60	30	96	95	94	91	91	88	86	82
60	40	97	96	94	92	91	88	87	83
60	60	97	96	95	92	91	89	87	83
60	80	97	96	95	92	91	89	87	83
60	100	97	96	95	92	91	89	87	83
100	40	97	95	94	92	91	88	87	83
100	60	97	96	95	92	91	89	87	83
100	80	97	96	95	92	91	89	87	83
100	100	97	96	95	92	91	89	87	83

### ORDERING INFORMATION

Explanation of Catalog Number. Example: VRA1G12LS132120SOGLR

<b>VR</b>	<b>1</b>	<b>12</b>	<b>S</b>	<b>1</b>	<b>LAMP QUANTITY</b>	<b>VOLTAGE:</b> 120 or 277	<b>BALLAST TYPE:</b> LE <20THD PS	<b>OPTIONS:</b> Add appropriate suffix to catalog no., ie: (GLR)
<b>BLANK</b> = Standard <b>N</b> = NYC Code	<b>VR:</b> 3" Deep Pre-anodized Aluminum Louver for normal VDT use	<b>CEILING TYPE:</b> <b>G</b> = Grid (lay-in T bar) <b>F</b> = Flanged (overlap) <b>Z</b> = spline and plaster frame <b>T</b> = Slot grid or two-directional concealed T (see options)	<b>LOUVER FINISH:</b> <b>L</b> = Low Irrescence Semi-specular (standard) <b>P</b> = Low Irrescence specular	<b>SINGLE WHITE REFLECTOR</b>	<b>LAMP/ FIXTURE LENGTH:</b> <b>32</b> =T8 <b>34</b> =T12 (Nominal 48")	<b>1 Lamp Mag. T12</b> <b>1 Lamp Elec. T8 LOL Dimming</b> *Instant Start Standard Other dimming options, consult factory.	<b>&lt;20THD</b> <b>PS</b>	<b>&lt;10THD</b> <b>HI*</b> <b>-</b>

### OPTIONS & ACCESSORIES

- ACCESS PLATE:** Top Wiring access plate is shipped with fixture as standard. When access plates are required in advance for wiring convenience, specify separately. Order Catalog Number: **ACP CSP**.
- ELECTRICAL WIRING OPTIONS:** Consult factory.
- FUSING:** Internal fast-blow fusing. SUFFIX: **GLR**.  
Internal slow-blow fusing. SUFFIX: **GMF**.
- RADIO INTERFERENCE FILTER:** 120 or 277 volt, 50 or 60 Hz. One per fixture standard. SUFFIX: **RF**.
- CONTINUOUS ROW INSTALLATION:** For F type fixtures, half-width flanges are required between fixtures. Order Catalog Number: **1FCTRIM** (each joint).
- SPLAY TRIM:** For T ceiling type only. SUFFIX: **CTZ14 S2 SPLAY TRIM**.
- AIR CLOSURE STRIP:** SUFFIX **ACS4** (factory installed).
- DRYWALL KIT:** Order Catalog Number: **FK91X4**. Request Folio OA30-10.
- CHICAGO PLENUM:** SUFFIX: **CP**.

### SPECIFICATIONS

**PERFORMANCE:** In an installation of 1 lamp 32W luminaires in a room cavity ratio of 1, reflectance 80% ceiling, 50% wall, 20% floor, the C.U. shall not be less than .67 with a spacing to mounting ratio of 1.9 perpendicular to the lamps. To meet IES RP-1 recommended (basic) requirements for VDT areas the VCP (visual comfort probability) shall not be less than 91 either crosswise or lengthwise and the maximum average brightness at 65°, 75° and 85° shall not exceed 837, 82 and 41 candelas per square meter respectively in the 0°, 45° and 90° horizontal planes. Candelas at Nadir (0°) not to exceed 652.

### SPECIFICATIONS (continued)

- AIR HANDLING:** (VRA only) side air passages for air supply or air return. Optional side closure strips. Air return is also provided through the lamp compartment through fixture body ends.
- MATERIALS:** Chassis parts are die-formed embossed cold rolled steel.
- Housing** is embossed for rigidity with all edges turned-in for safe handling.
- LOUVER:** Pre-anodized aluminum (Coilzak® or equal).
- FINISH:** Louver—low iridescence semi-specular anodized vertical grain aluminum reflector sheet is standard. Reflector—white baked polyester enamel minimum 86% reflectance. Phosphate undercoating. Chassis exterior—black baked polyester enamel.
- ELECTRICAL:** Thermally protected class "P" ballast C.B.M. approved, non PCB. If K.O. is within 3" of ballast, use wire suitable for at least 90°.
- LABELS:** I.B.E.W./UL and C-UL.

### Job Information Type:

**Lightolier** a Genlyte Thomas Company www.lightolier.com  
Technical Information: (978) 657-7600 • Fax (978) 658-0595  
631 Airport Road, Fall River, MA 02720 • (508) 679-8131 • Fax (508) 674-4710  
We reserve the right to change details of design, materials and finish.  
© 2002 Genlyte Thomas Group LLC (Lightolier Division)  
A0902 **SECTION 2/Folio G05-37 REV. A**

# LIGHTOLIER®

## Free Manuals Download Website

<http://myh66.com>

<http://usermanuals.us>

<http://www.somanuals.com>

<http://www.4manuals.cc>

<http://www.manual-lib.com>

<http://www.404manual.com>

<http://www.luxmanual.com>

<http://aubethermostatmanual.com>

Golf course search by state

<http://golfingnear.com>

Email search by domain

<http://emailbydomain.com>

Auto manuals search

<http://auto.somanuals.com>

TV manuals search

<http://tv.somanuals.com>