

VR PARABOLIC VRA1G8LS232

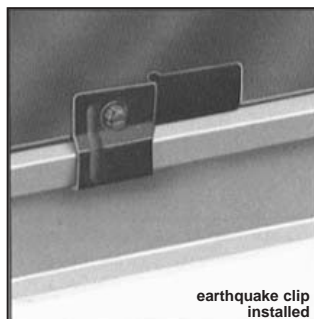
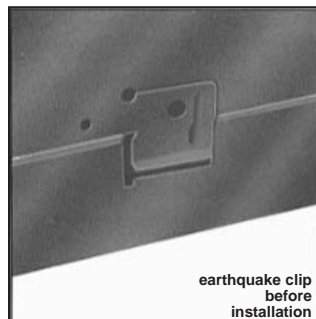
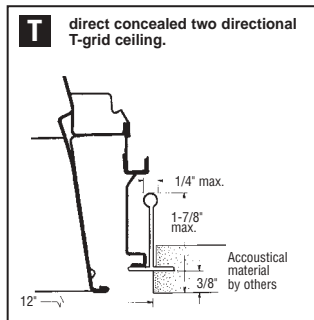
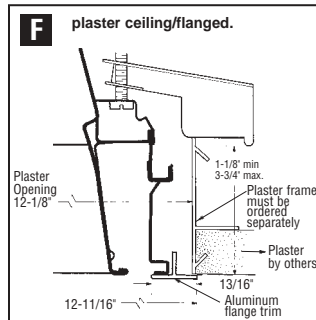
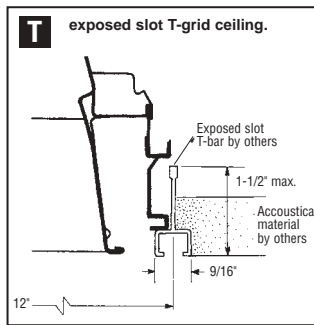
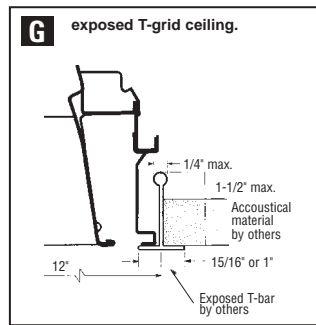
1'x4' RECESSED FLUORESCENT, 3" DEEP, 8 CELL (1 ROW) PARABOLIC LOUVER STATIC OR AIR SUPPLY/RETURN, 2 LAMP T8 OR T12

Features

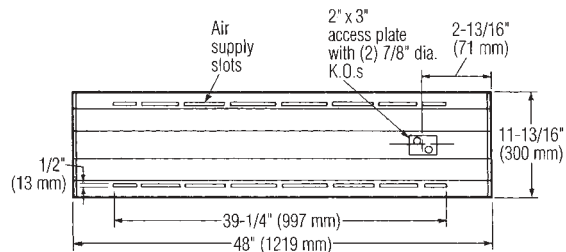
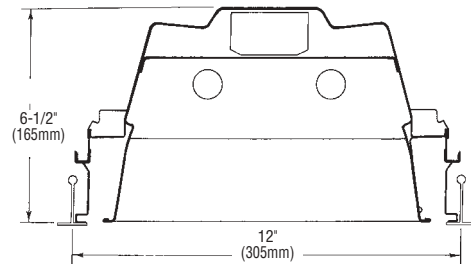
- 67.0% efficient (T8).
- 1.4 spacing mounting ratio.
- Semi-specular low iridescence pre-anodized louver.
- Vertical grain on louver eliminates reflected lamp image on cross baffle.
- Louver frame with integral positive light stop.
- Spring loaded latches (self centering).
- Reversible louver hinging.
- Louver has protective dust guard.
- Only 6-5/8" deep body.
- Black housing exterior for cooler ballast operating temperature.
- Turned-in edges for safe handling.
- Built-in earthquake clip (patent number 5,072,344).
- UL-Listed twin knockout access plate.
- Air closure strips (optional).
- Construction to meet NYC Code or Chicago Plenum is available.



MOUNTING METHODS



DIMENSIONS



Job Information

Type:

Job Name:

Cat. No.:

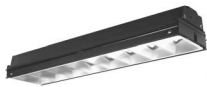
Lamp(s):

Volts/Ballast:

Lightolier a Genlyte Thomas Company www.lightolier.com
 Technical Information: (978) 657-7600 • Fax (978) 658-0595
 631 Airport Road, Fall River, MA 02720 • (508) 679-8131 • Fax (508) 674-4710
 We reserve the right to change details of design, materials and finish.
 © 2002 Genlyte Thomas Group LLC (Lightolier Division)
 A0902

SECTION 2/Folio G05-36A REV. A

LIGHTOLIER



VR PARABOLIC VRA1G8LS232

1'x4' RECESSED FLUORESCENT, 3" DEEP, 8 CELL (1 ROW) PARABOLIC LOUVER STATIC OR AIR SUPPLY/RETURN, 2 LAMP T8 OR T12

PHOTOMETRY

MODEL NO. VRA1G8LS232120SO

LER = FP - 57.0 IW - 59.1 BF - 0.88
Comparative yearly lighting energy cost per 1000 lumens = \$4.21

LTL LUMINAIRE TESTING LABORATORY

905 Harrison Street • Allentown, PA 18103 • (610) 770-1044 • Fax (610) 770-8912

LTL NUMBER: 03322 DATE: 1-8-1997
 PREPARED FOR: LIGHTOLIER INC.
 CATALOG NUMBER: VRA1G8LS232SO
 DESCRIPTION: FORMED STEEL 1/4" HOUSING, WHITE ENAMEL REFLECTOR,
 8 CELL, 2.75" DEEP, SEMI-SPECULAR ALUMINUM LOUVER.
 BALLAST: ONE MOTOROLA M2-RN-78-1LL-120
 LAMPS: TWO SYLVANIA F032/741 RATED AT 2850 LUMENS EACH.
 MOUNTING: RECESSED
 LUMEN TO CANDELA RATIO USED = 9.18
 TOTAL INPUT WATTS = 59.1 AT 220.0 VOLTS
 THE 0 DEGREE PLANE IS PARALLEL WITH THE LAMPS.

CANDELA DISTRIBUTION				FLUX			
0	22.5	45.0	67.5	90.0	0	22.5	45.0
1402	1402	1402	1402	1402	136	136	136
1400	1402	1418	1425	1433	420	420	420
1341	1390	1488	1569	1598	688	688	688
1226	1344	1551	1650	1660	860	860	860
1066	1269	1404	1329	1308	813	813	813
843	1090	1060	1232	1363	860	860	860
548	692	810	896	901	682	682	682
65	123	237	206	208	197	197	197
17	18	17	16	14	20	20	20
5	5	4	2	0	4	4	4
0	0	0	0	0	0	0	0

ZONAL LUMEN SUMMARY

ZONE	LUMENS	%LAMP	%FIXT
0-30	1244	21.8	32.6
0-40	2057	36.1	52.9
0-60	3599	63.1	94.2
0-90	3819	67.0	100.0
90-180	0	0	0
0-180	3819	67.0	100.0

TOTAL LUMINAIRE EFFICIENCY: 67.0%
TOTAL REFLECTANCE OF PAINT: 89.3%
 CIE TYPE: DIRECT
 PLANE: 0-DEG 90-DEG
 SPACING CRITERIA: 1.2 1.4
 SHIELDING ANGLES: 27 28
 LUMINOUS LENGTH: 46.125 9.500

LUMINANCE IN CANDELA PER SQUARE METER

ANGLE	AVERAGE	AVERAGE
IN DEG	0-DEG	45-DEG
0	4959	4959
45	4217	3302
55	3379	4956
65	344	1984
75	232	191
85	203	162

TESTED BY BILL GRATHER
 CHECKED BY MIKE GRATHER

THIS REPORT BASED ON LM-41 AND OTHER PERTINENT IES PROCEDURES.

coefficients of utilization — zonal cavity method

RW	20			50			80		
	70	50	30	50	30	10	50	30	10
1	75	72	70	68	67	65	66	64	63
2	70	65	62	62	59	57	60	58	56
3	65	59	55	56	53	50	54	52	49
4	60	53	48	51	47	44	49	46	43
5	55	47	42	45	41	38	44	40	37
6	51	43	37	41	36	33	40	36	33
7	47	38	33	37	32	29	36	32	29
8	43	34	29	33	28	25	32	28	25
9	39	31	25	29	25	21	29	24	21
10	36	28	22	27	22	19	26	22	19

visual comfort probability

W	L	ceiling height				ceiling height			
		8.5	10.0	13.0	16.0	8.5	10.0	13.0	16.0
20	20	80	72	68	74	74	64	60	67
20	30	82	76	72	69	78	69	62	61
20	40	84	78	76	73	80	72	66	63
20	60	85	79	78	75	80	75	70	66
30	20	84	76	68	71	78	70	62	66
30	30	85	79	72	67	81	74	64	60
30	40	86	81	75	70	83	76	68	62
30	60	87	82	77	73	83	79	71	66
30	80	87	83	79	75	83	79	74	68
40	20	85	79	71	71	80	74	67	67
40	30	86	81	75	67	83	77	68	62
40	40	87	83	78	70	85	79	72	63
40	60	88	84	79	73	85	81	74	67
40	80	88	84	81	75	85	81	77	69
40	100	88	85	82	76	85	81	77	72
60	30	87	82	77	69	83	77	70	65
60	40	88	84	79	72	86	80	74	67
60	60	88	84	81	75	86	82	76	70
60	80	89	85	82	76	86	82	78	72
60	100	89	86	83	78	86	82	78	74
100	40	88	84	80	74	86	80	75	68
100	60	88	84	82	77	86	82	78	72
100	80	89	85	83	79	86	83	80	74
100	100	89	87	84	80	86	83	80	76

ORDERING INFORMATION

Explanation of Catalog Number. Example: VRA1G8LS232120SOGLR

VR	1	8	S	2					
BLANK = Standard N = NYC Code	FIXTURE WIDTH	Ceiling Type: G = Grid (lay-in T bar) F = Flanged (overlap) Z = spline and plaster frame T = Slot grid or two-directional concealed T (see options)	LOUVER FINISH: L = Low iridescence S = Semi-specular (standard) P = Low iridescence specular	LAMP QUANTITY	LAMP/ FIXTURE LENGTH: 32=T8 34=T12 (Nominal 48")	VOLTAGE: 120 or 277	BALLAST TYPE: LE 1-2 Lamp Mag. T12 1-2 Lamp Elec. T8 LOL Dimming T8 *Instant Start Standard Other dimming options, consult factory.	OPTIONS: Add appropriate suffix to catalog no., ie: (GLR)	SO* HI* PS -
VR: 3" Deep Pre-anodized Aluminum Louver for normal VDT use	1: 3" Deep	8: 8 Cells	S: Semi-specular	2: 2 Lamps	32=T8 34=T12	120 or 277	LE LOL	GLR	SO* PS

OPTIONS & ACCESSORIES

- ACCESS PLATE:** Top Wiring access plate is shipped with fixture as standard. When access plates are required in advance for wiring convenience, specify separately. Order Catalog Number: **ACP CSP**.
- ELECTRICAL WIRING OPTIONS:** Consult factory.
- FUSING:** Internal fast-blow fusing. SUFFIX: **GLR**.
Internal slow-blow fusing. SUFFIX: **GMF**.
- RADIO INTERFERENCE FILTER:** 120 or 277 volt, 50 or 60 Hz. One per fixture standard. SUFFIX: **RF**.
- CONTINUOUS ROW INSTALLATION:** For F type fixtures, half-width flanges are required between fixtures. Order Catalog Number: **1FCTRIM** (each joint).
- SPLAY TRIM:** For T ceiling type only. SUFFIX: **CTZ14 S2 SPLAY TRIM**.
- AIR CLOSURE STRIP:** SUFFIX **ACS4** (factory installed).
- DRYWALL KIT:** Order Catalog Number: **FK91X4**. Request Folio OA30-10.
- CHICAGO PLENUM:** SUFFIX: **CP**.

SPECIFICATIONS

PERFORMANCE: In an installation of 2 lamp 32W luminaires in a room cavity ratio of 1, reflectance 80% ceiling, 50% wall, 20% floor, the C.U. shall not be less than .72. To prevent glare the VCP shall be not less than 86 either lengthwise or crosswise (at 100fc level) and the average brightness at 65° shall not exceed 1984 candelas per square meter. To control veiling reflections, luminaire output in the 30°-90° zone shall be not less than 67.4%.

SPECIFICATIONS (continued)

- AIR HANDLING:** (VRA only) side air passages for air supply or air return. Optional side closure strips. Air return is also provided through the lamp compartment through fixture body ends.
- MATERIALS:** Chassis parts are die-formed embossed cold rolled steel. Housing is embossed for rigidity with all edges turned-in for safe handling.
- LOUVER:** Pre-anodized aluminum (Coilzak® or equal).
- FINISH:** Louver—low iridescence semi-specular anodized vertical grain aluminum reflector sheet is standard. Cavity—white baked polyester minimum reflectance 86%. Phosphate undercoating. Chassis exterior—black baked polyester enamel.
- ELECTRICAL:** Thermally protected class "P" ballast C.B.M. approved, non PCB. If K.O. is within 3" of ballast, use wire suitable for at least 90°.
- LABELS:** I.B.E.W./UL and C-UL.

Job Information	Type:
Lightolier a Genlyte Thomas Company Technical Information: (978) 657-7600 • Fax (978) 658-0595 631 Airport Road, Fall River, MA 02720 • (508) 679-8131 • Fax (508) 674-4710 We reserve the right to change details of design, materials and finish. © 2002 Genlyte Thomas Group LLC (Lightolier Division) A0902	www.lightolier.com SECTION 2/Folio G05-36A REV. A



Free Manuals Download Website

<http://myh66.com>

<http://usermanuals.us>

<http://www.somanuals.com>

<http://www.4manuals.cc>

<http://www.manual-lib.com>

<http://www.404manual.com>

<http://www.luxmanual.com>

<http://aubethermostatmanual.com>

Golf course search by state

<http://golfingnear.com>

Email search by domain

<http://emailbydomain.com>

Auto manuals search

<http://auto.somanuals.com>

TV manuals search

<http://tv.somanuals.com>