

# VR PARABOLIC VRA2G12LS232

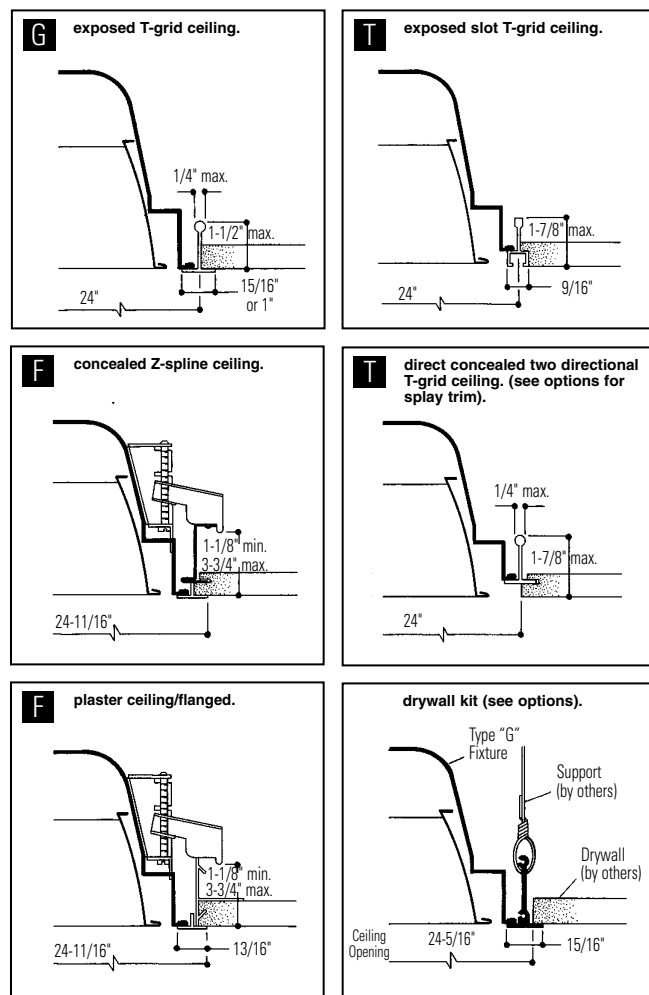
2'x4' RECESSED FLUORESCENT, 4" DEEP, 12 CELL (2x6) PARABOLIC LOUVER  
 STATIC OR AIR SUPPLY/RETURN/HEAT EXTRACTION, IES RP1 FOR NORMAL VDT USE

## Features

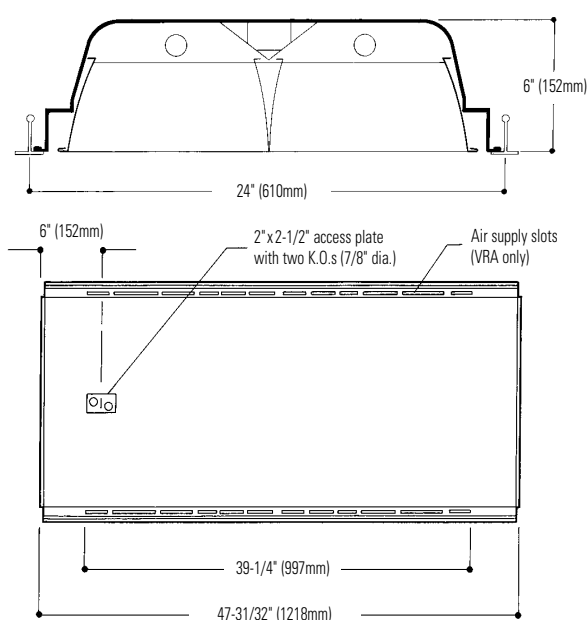
- Meets IES RP1 for lighting VDT areas with normal use.
- Can provide 49 maintained footcandles at .78 watts per square foot (8x10 module).
- 70.9% efficient (T8).
- 1.8 spacing mounting ratio.
- Only 6" deep body.
- One-piece housing.
- Semi-specular low iridescence pre-anodized louver (standard).
- Spring-loaded latches.
- Concealed "T" hinges.
- Louver frame with integral positive light stop.
- Earthquake clips included.
- Louver has protective film dust guard.
- Air closure strips (optional).
- UL-Listed twin knockout access plate.
- Construction to meet Chicago Plenum Code is available.



## MOUNTING METHOD



## DIMENSIONS



## Job Information

Type:

Job Name:

Cat. No.:

Lamp(s):

Volts/Ballast:

Lightolier a Genlyte Thomas Company [www.lightolier.com](http://www.lightolier.com)  
 Technical Information: (978) 657-7600 • Fax (978) 658-0595  
 631 Airport Road, Fall River, MA 02720 • (508) 679-8131 • Fax (508) 674-4710  
 We reserve the right to change details of design, materials and finish.  
 © 2002 Genlyte Thomas Group LLC (Lightolier Division)  
 A0902 **SECTION 2/Folio G05-60 REV. A**

LIGHTOLIER®



# VR PARABOLIC VRA2G12LS232

2'x4' RECESSED FLUORESCENT, 4" DEEP, 12 CELL (2x6) PARABOLIC LOUVER  
 STATIC OR AIR SUPPLY/RETURN/HEAT EXTRACTION, IES RP1 FOR NORMAL VDT USE

## PHOTOMETRY

MODEL NO. VRA2G12LS232SO

LER = FP - 54.6 IW - 77.6 BF - 98.4

Comparative yearly lighting energy cost per 1000 lumens = \$4.39

**GT TESTING LABORATORY**  
 45 Industrial Way  
 Wilmington, MA 01867  
 (508) 657-7600

REPORT NO.: G94049 DATE: 06-30-1994  
 CATALOG NO.: VRA2G12LS232120SO  
 LAMP(S): 2 F32T8, EACH RATED 2850 LUMENS  
 LUMINAIRE: 2x4 VDT TROFFER, WITH 12 CELL SEMI-SPECULAR LOUVER, RIL-2P32-RH-TP BALLAST 120VAC, WATTS = 59, BF = 0.89

**CANDELA DISTRIBUTION**

0	5	15	25	35	45	55	65	75	85	90
1510	1510	1510	1510	1510	1510	1510	1510	1510	1510	1510
1511	1507	1509	1507	1508	1508	1444	1499	1559	1580	1426
1301	1368	1541	1795	1917	733	1129	1286	1747	2264	2460
906	1204	1674	1446	1280	1035	537	789	616	373	350
45	45	62	92	75	64	97	10	11	8	7
10	2	2	2	2	2	2	2	2	2	2
0	0	0	0	0	0	0	0	0	0	0

**ZONAL LUMEN SUMMARY**

ZONE	LUMENS	%LAMP	%FIXT
0-30	1304	22.9	32.3
0-40	2402	42.1	59.4
0-60	3942	69.2	97.8
0-90	4041	70.9	100.0
90-180	0	0.0	0.0
0-180	4041	70.9	100.0

**TOTAL LUMINAIRE EFFICIENCY = 70.9 %**  
**TOTAL REFLECTANCE OF PAINT = 91.0 %**  
 CIE TYPE - DIRECT  
 PLANE : 0-DEG 90-DEG  
 SPACING CRITERIA : 1.2 1.8  
 SHIELDING ANGLES : 65 65  
 LUMINOUS LENGTH : 45.500 21.500

**LUMINANCE DATA IN CANDELA/SQ M**

ANGLE	AVERAGE	AVERAGE	
IN DEG	0-DEG	45-DEG	90-DEG
0	2392.	2392.	2392.
45	2029.	3750.	2867.
55	1483.	1701.	967.
65	169.	346.	240.
75	61.	49.	43.
85	36.	36.	36.

coefficients of utilization — zonal cavity method (effective floor cavity reflectance 0.20)

RF	20			20			20		
RC	80			50			30		
RW	70	50	30	50	30	10	50	30	10
1	79	77	75	73	71	69	70	69	67
2	74	70	67	66	64	62	64	62	60
3	69	64	59	61	57	54	59	56	53
4	64	57	53	55	51	48	53	50	47
5	59	52	46	50	45	42	48	45	42
6	55	47	41	45	40	37	44	40	37
7	51	42	36	40	36	32	39	35	32
8	46	38	32	36	31	28	35	31	28
9	42	33	28	32	27	24	31	27	24
10	39	30	25	29	24	21	28	24	21

visual comfort probability (rated lumens per lamp 3150.)

room size		ceiling height				ceiling height			
W	L	8.5	10.0	13.0	16.0	8.5	10.0	13.0	16.0
20	20	91	89	84	85	94	91	88	84
20	30	92	91	87	84	94	91	90	85
20	40	92	91	89	87	94	91	90	87
20	60	92	91	89	87	94	91	90	87
30	20	92	90	86	85	94	92	89	84
30	30	92	92	89	85	94	92	91	85
30	40	92	92	90	87	94	92	91	87
30	60	92	92	89	87	94	92	91	87
30	80	92	92	90	87	94	92	91	87
40	20	92	90	87	87	94	92	89	86
40	30	92	92	89	86	94	92	91	86
40	40	92	92	89	88	94	92	91	87
40	60	92	92	90	88	94	92	91	88
40	80	92	92	90	88	94	93	91	88
40	100	92	91	90	88	94	93	91	88
60	30	92	92	89	87	94	92	91	86
60	40	92	92	90	88	94	93	91	88
60	60	92	91	90	88	94	93	91	88
60	80	92	92	90	88	94	93	91	88
60	100	92	92	90	88	94	93	91	88
100	40	92	91	90	88	94	93	91	88
100	60	92	91	90	88	94	93	91	88
100	80	92	92	90	88	94	92	91	88
100	100	92	92	90	88	94	92	91	88

## ORDERING INFORMATION

Explanation of Catalog Number. Example: VRA2G12LS232120SOGLR

VR	A	2		12		S	2				
<b>VR:</b> 4" Deep Pre-anodized Aluminum Louver For Normal VDT Use	<b>BODY STYLE:</b> A=Air Handling S=Static	<b>FIXTURE WIDTH</b>	<b>CEILING TYPE:</b> G= Grid (lay-in T bar) T=Slot grid or two-directional concealed T (see options)	<b>NUMBER OF CELLS:</b> (2 rows of 6 cells)	<b>LOUVER FINISH*:</b> L=Low Iridescence Semi-specular (standard) P=Low Iridescence Specular	<b>SINGLE "V" REFLECTOR</b>	<b>LAMP QUANTITY</b>	<b>LAMP TYPE/ FIXTURE LENGTH:</b> 32=T8 34=T12	<b>VOLTAGE:</b> 120 or 277	<b>BALLAST TYPE:</b> LE <20THD SO* PS	<b>OPTIONS:</b> Add appropriate suffix to catalog no. ie: (GLR) <10THD HI* -

\*Instant Start Standard  
Other dimming options consult factory.

## OPTIONS & ACCESSORIES

- PLASTER FRAME:** Catalog Number: PF24.
- CONTINUOUS ROW INSTALLATION:** For F type fixtures, half-width flanges are required between fixtures, Order Catalog Number: S2CTRIM (each joint).
- SPLAY TRIM:** For T ceiling type only. SUFFIX: CTZ24 S2 SPLAY TRIM.
- RADIO INTERFERENCE FILTER:** 120 or 277 volt, 50 or 60 Hz. One per fixture standard. SUFFIX: RF.
- ELECTRICAL WIRING OPTIONS:** Consult factory.
- AIR CLOSURE STRIPS:** SUFFIX ACS4 (factory installed).
- DRYWALL KIT:** Order Catalog Number: FK92X4. (Request Folio OA30-10.)
- CHICAGO PLENUM:** SUFFIX: CP.

## SPECIFICATIONS

**PERFORMANCE:** In an installation of 2 lamp 32W luminaires in a room cavity ratio of 1, reflectance 80% ceiling, 50% wall, 20% floor, the C.U. shall not be less than .77 with a spacing to mounting ratio of 1.8 perpendicular to the lamps. To meet IES RP1 preferred requirements for VDT areas the VCP (visual comfort probability) shall not be less than 92 either crosswise or lengthwise and the maximum average brightness at 65°, 75° and 85° shall not exceed 345, 61 and 36 candelas per square meter respectively in the 0°, 45°, and 90° horizontal planes. Candelas at Nadir (0°) not to exceed 1510.

## SPECIFICATIONS (continued)

- AIR HANDLING:** (VRA only) side air passages for air supply or air return. Optional side closure strips. Air return is also provided through the lamp compartment through fixture body ends.
- MATERIALS:** Chassis parts are die-formed code gauge cold rolled steel.
- Housing** side rails hemmed over and housing ends turned-in for safe handling.
- LOUVER:** Pre-anodized aluminum (Coilzak® or equal).
- FINISH:** Chassis exterior—black baked polyester enamel. Cavity—white baked polyester enamel minimum 86% reflectance. Phosphate undercoating.
- Louver**—low iridescence semi-specular anodized vertical grain aluminum reflector sheet is standard.
- ELECTRICAL:** Thermally protected class "P" ballast C.B.M. approved, non PCB. If K.O. is within 3" of ballast, use wire suitable for at least 90°.
- LABELS:** I.B.E.W./UL and C-UL.

<b>Job Information</b>	<b>Type:</b>
Lightolier a Genlyte Thomas Company Technical Information: (978) 657-7600 • Fax (978) 658-0595 631 Airport Road, Fall River, MA 02720 • (508) 679-8131 • Fax (508) 674-4710 We reserve the right to change details of design, materials and finish. © 2002 Genlyte Thomas Group LLC (Lightolier Division) A0902	www.lightolier.com

SECTION 2/Folio G05-60 REV. A



## Free Manuals Download Website

<http://myh66.com>

<http://usermanuals.us>

<http://www.somanuals.com>

<http://www.4manuals.cc>

<http://www.manual-lib.com>

<http://www.404manual.com>

<http://www.luxmanual.com>

<http://aubethermostatmanual.com>

Golf course search by state

<http://golfingnear.com>

Email search by domain

<http://emailbydomain.com>

Auto manuals search

<http://auto.somanuals.com>

TV manuals search

<http://tv.somanuals.com>