

# VR PARABOLIC VRA2G16LS26U

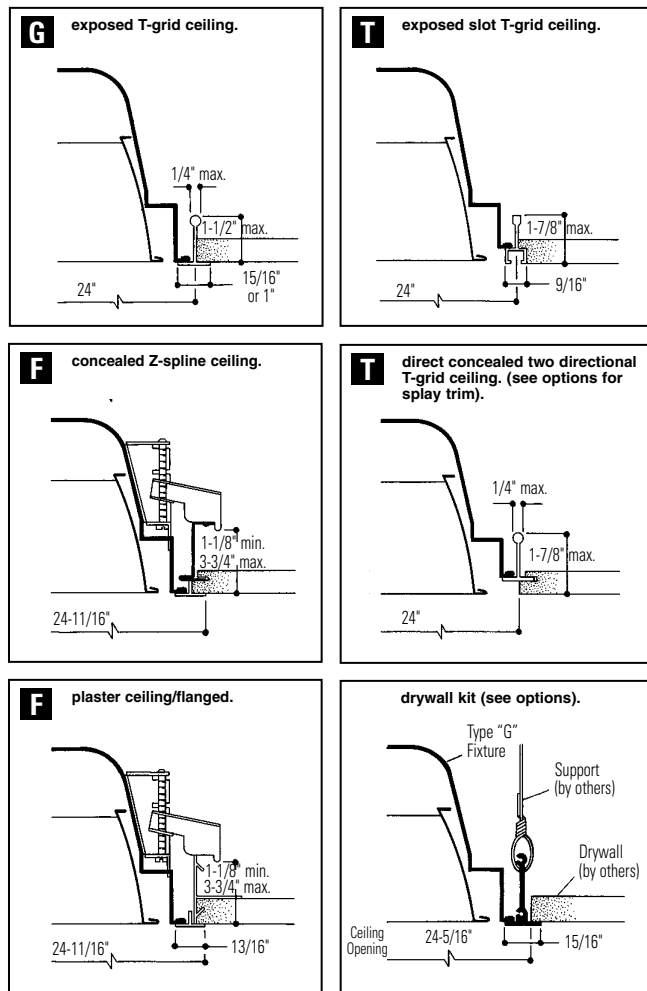
2'x2' RECESSED FLUORESCENT, 4" DEEP, 16 CELL (4x4) PARABOLIC LOUVER  
 STATIC OR AIR SUPPLY/RETURN, IES RP1 FOR NORMAL VDT USE

## Features

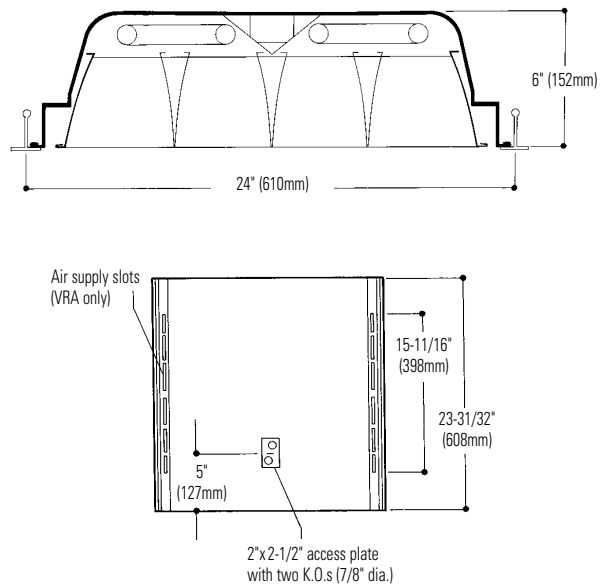
- Meets IES RP1 for lighting VDT areas with normal use.
- 51.7% efficient (T8).
- 1.2 spacing mounting ratio.
- Only 6" deep body.
- One-piece housing.
- Specular low iridescence pre-anodized louver.
- Spring-loaded latches.
- Concealed "T" hinges.
- Louver frame with integral positive light stop.
- Earthquake clips included.
- Louver has protective film dust guard.
- Air closure strips (optional).
- UL-Listed twin knockout access plate.
- Construction to meet Chicago Plenum Code is available.



## MOUNTING METHOD



## DIMENSIONS



## Job Information

## Type:

**Job Name:**

**Cat. No.:**

**Lamp(s):**

**Volts/Ballast:**

Lightolier a Genlyte Thomas Company [www.lightolier.com](http://www.lightolier.com)  
 Technical Information: (978) 657-7600 • Fax (978) 658-0595  
 631 Airport Road, Fall River, MA 02720 • (508) 679-8131 • Fax (508) 674-4710  
 We reserve the right to change details of design, materials and finish.  
 © 2002 Genlyte Thomas Group LLC (Lightolier Division)  
 A0902

**SECTION 2/Folio G05-50 REV. A**

**LIGHTOLIER** 



# VR PARABOLIC VRA2G16LS26U

2'x2' RECESSED FLUORESCENT, 4" DEEP, 16 CELL (4x4) PARABOLIC LOUVER  
 STATIC OR AIR SUPPLY/RETURN, IES RP1 FOR NORMAL VDT USE

## PHOTOMETRY

MODEL NO. VRA2G16LS26U

**ifl boulder**  
 INDEPENDENT TESTING LABORATORIES, INC. • 3280 LOVSHOWN ROAD, BOULDER, COLORADO 80502 • PHONE (303) 442-1225  
 REPORT NUMBER: IFL14649 DATE: 01-25-94  
 PREPARED FOR: LIGHTOLIER  
 CATALOG NUMBER: VRA2G16LS26U120S0  
 LUMINAIRE: FABRICATED METAL HOUSING, WHITE PAINTED INTERIOR FINISH.  
 FABRICATED SEMI-SPECULAR ALUMINUM PARABOLIC 16-CELL LOUVER.  
 LAMPS: TWO 31-WATT FB178/TL741/6 FLUORESCENTS, EACH RATED 2650 LUMENS.  
 BALLAST: MAGNETEK TRIAD B231T20R, BALLAST FACTOR = 90.3%  
 MOUNTING: RECESSED  
 TOTAL INPUT WATTS = 57.6 AT 120.0 VOLTS  
 THE 0 DEGREE PLANE IS OPPOSITE THE SOCKETS.

CANDELA DISTRIBUTION		FLUX	
0	0	0	0
5	1737	1737	1737
15	1625	1780	1882
25	1476	1669	1567
35	1286	1183	831
45	956	545	408
55	277	114	46
65	37	18	15
75	8	6	5
85	0	0	0
90	0	0	0

**ZONAL LUMEN SUMMARY**

ZONE	LUMENS	LAMP	W/FIXT
0-30	1461	26.4	51.1
0-40	2097	39.6	76.5
0-60	2710	51.2	98.9
0-90	2741	51.7	100.0
90-180	0	0	0
0-180	2741	51.7	100.0

TOTAL LUMINAIRE EFFICIENCY = 51.7 %  
 TOTAL REFLECTANCE OF PAINT = 90.2 %

CIE TYPE - DIRECT  
 PLANE : 0-DEG 90-DEG 130-DEG  
 SPACING CRITERIA : 1.2 1.1 1.2  
 SHIELDING ANGLES : 42 38  
 PLANE : 0-DEG 90-DEG  
 LUMINOUS LENGTH : 21.500 21.500

**LUMINANCE DATA IN CANDELA/SQ M**

IN DEG	0-DEG	90-DEG	180-DEG
45	4532	1934	4162
55	1619	269	1367
65	293	119	278
75	104	65	104
85	0	77	0

LER = FP - 42.0 IW - 57.6 BF - 90.3

Comparative yearly lighting energy cost per 1000 lumens = \$5.71

coefficients of utilization — zonal cavity method (effective floor cavity reflectance 0.20)

	20			50			80			
	RF	RC	RW	RF	RC	RW	RF	RC	RW	
room cavity ratio	1	2	3	4	5	6	7	8	9	10
1	58	57	55	53	52	51	51	51	51	50
2	55	52	49	49	47	46	46	46	46	45
3	51	47	44	45	43	41	41	41	41	40
4	48	44	40	42	39	37	37	37	37	36
5	45	40	37	39	36	33	33	33	33	33
6	42	37	33	36	33	30	30	30	30	30
7	40	34	31	33	30	28	28	28	28	28
8	37	32	28	31	28	25	25	25	25	25
9	35	29	26	29	26	23	23	23	23	23
10	33	27	24	27	24	22	22	22	22	22

visual comfort probability (rated lumens per lamp 3150.)

room size	ceiling height				ceiling height					
	W	L	8.5	10.0	13.0	16.0	8.5	10.0	13.0	16.0
20	20	20	95	93	90	82	99	98	98	95
20	30	30	96	94	91	85	99	99	98	96
20	40	40	96	94	93	87	99	99	98	96
20	60	60	96	94	93	88	99	99	98	96
30	20	30	95	93	92	86	99	98	98	95
30	30	30	96	95	93	87	99	99	98	96
30	40	40	96	95	94	89	99	99	98	96
30	60	60	96	95	94	90	99	99	98	96
30	80	80	96	94	94	90	99	99	98	96
40	20	30	95	94	92	86	99	99	98	96
40	30	30	96	95	93	88	99	99	98	96
40	40	40	96	95	94	90	99	99	98	96
40	60	60	96	94	94	91	99	99	98	96
40	80	80	96	94	94	91	99	99	98	96
40	100	100	96	94	94	91	99	99	98	97
60	30	40	96	95	93	88	99	99	98	96
60	40	40	96	94	94	90	99	99	98	96
60	60	60	96	95	94	91	99	99	98	97
60	80	80	96	95	94	91	99	99	98	97
60	100	100	96	95	94	91	99	99	98	97
100	40	60	96	94	94	90	99	99	98	97
100	60	80	96	95	94	91	99	99	98	97
100	80	100	96	95	94	91	99	99	98	97
100	100	100	96	95	94	91	99	99	98	97

## ORDERING INFORMATION

Explanation of Catalog Number. Example: VRA2G16LS26U120SORF

<b>VR</b>	<b>2</b>	<b>16</b>	<b>S</b>	<b>2</b>	<b>6U</b>	<b>120 or 277</b>	<b>LE</b>
<b>VR:</b> 4" Deep Pre-anodized Aluminum Louver For Normal VDT Use	<b>FIXTURE WIDTH</b>	<b>NUMBER OF CELLS:</b> (4 rows of 4 cells)	<b>SINGLE "V" REFLECTOR</b>	<b>LAMP QUANTITY</b>	<b>LAMP TYPE/ FIXTURE LENGTH:</b> 6"U Lamp T8 OR T12 (Nominal 24")	<b>VOLTAGE:</b> 120 or 277	<b>BALLAST TYPE:</b> LE <20THD SO* PS
<b>BODY STYLE:</b> A=Air Handling S=Static	<b>CEILING TYPE:</b> G= Grid (lay-in T bar) F=Flanged (overlap) Z spline and plaster frame T=Slot grid or two-directional concealed T (see options)	<b>LOUVER FINISH*:</b> L=Low Iridescence Semi-specular (standard) P=Low Iridescence Specular	<b>OPTIONS:</b> Add appropriate suffix to catalog no. ie: (GLR)				

## OPTIONS & ACCESSORIES

- PLASTER FRAME:** Catalog Number: PF22.
- CONTINUOUS ROW INSTALLATION:** For F type fixtures, half-width flanges are required between fixtures, Order Catalog Number: S2CTRIM (each joint).
- SPLAY TRIM:** For T ceiling type only. SUFFIX: CTZ22 S2 SPLAY TRIM.
- RADIO INTERFERENCE FILTER:** 120 or 277 volt, 50 or 60 Hz. One per fixture standard. SUFFIX: RF.
- ELECTRICAL WIRING OPTIONS:** Consult factory.
- AIR CLOSURE STRIPS:** SUFFIX ACS2 (factory installed).
- DRYWALL KIT:** Order Catalog Number: FK92X2. (Request Folio OA30-10)
- CHICAGO PLENUM:** SUFFIX: CP.

## SPECIFICATIONS

**PERFORMANCE:** In an installation of 2 lamp 31W luminaires in a room cavity ratio of 1, reflectance 80% ceiling, 50% wall, 20% floor, the C.U. shall not be less than .57 with a spacing to mounting ratio of 1.2 perpendicular to the lamps. To meet IES RP1 preferred requirements for VDT areas the VCP (visual comfort probability) shall not be less than 96 either crosswise or lengthwise and the maximum average brightness at 65°, 75° and 85° shall not exceed 293, 104, and 77 candelas per square meter respectively in the 0°, 45°, and 90° horizontal planes. Candelas at Nadir (0°) not to exceed 1737.

## SPECIFICATIONS (continued)

- AIR HANDLING:** (VRA only) side air passages for air supply or air return. Optional side closure strips. Air return is also provided through the lamp compartment through fixture body ends.
- MATERIALS:** Chassis parts are die-formed code gauge cold rolled steel. Housing side rails hemmed over and housing ends turned-in for safe handling.
- Louver** is pre-anodized aluminum (Coilzak® or equal).
- FINISH:** Chassis exterior—black baked polyester enamel. Cavity—white baked polyester enamel minimum 86% reflectance. Phosphate undercoating.
- Louver**—low iridescence semi-specular anodized vertical grain aluminum reflector sheet is standard.
- ELECTRICAL:** Thermally protected class "P" ballast C.B.M. approved, non PCB. If K.O. is within 3" of ballast, use wire suitable for at least 90°.
- LABELS:** I.B.E.W./UL and C-UL.

## Job Information Type:

**Lightolier** a Genlyte Thomas Company www.lightolier.com  
 Technical Information: (978) 657-7600 • Fax (978) 658-0595  
 631 Airport Road, Fall River, MA 02720 • (508) 679-8131 • Fax (508) 674-4710  
 We reserve the right to change details of design, materials and finish.  
 © 2002 Genlyte Thomas Group LLC (Lightolier Division)  
 A0902 SECTION 2/Folio G05-50 REV. A

LIGHTOLIER®

## Free Manuals Download Website

<http://myh66.com>

<http://usermanuals.us>

<http://www.somanuals.com>

<http://www.4manuals.cc>

<http://www.manual-lib.com>

<http://www.404manual.com>

<http://www.luxmanual.com>

<http://aubethermostatmanual.com>

Golf course search by state

<http://golfingnear.com>

Email search by domain

<http://emailbydomain.com>

Auto manuals search

<http://auto.somanuals.com>

TV manuals search

<http://tv.somanuals.com>