

# VR PARABOLIC VRA2G16LV2FT

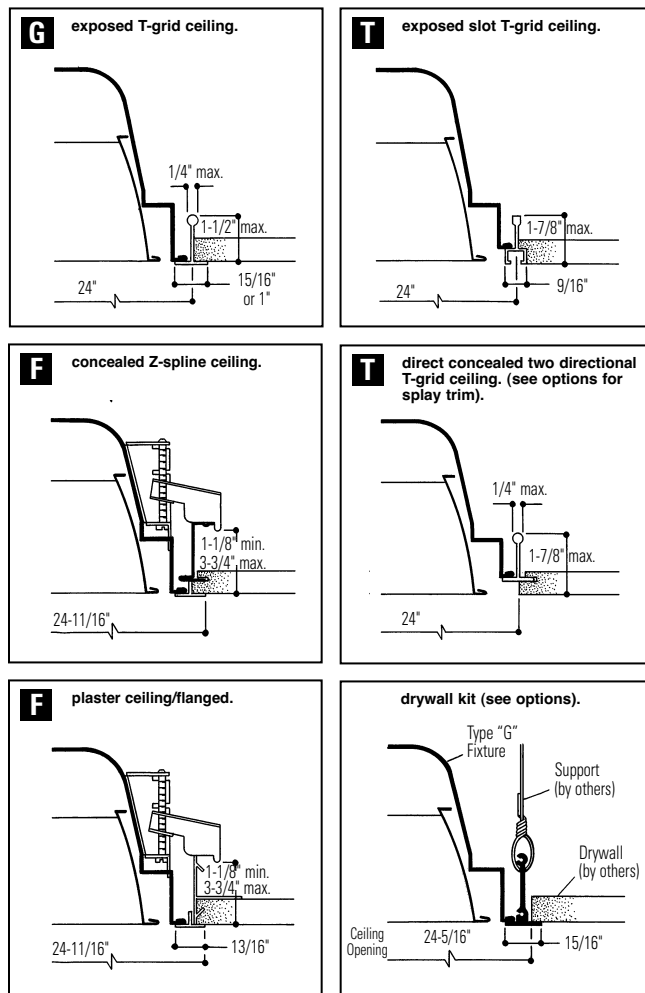
2'x2' RECESSED FLUORESCENT, 4" DEEP, 16 CELL (4x4) PARABOLIC LOUVER  
 STATIC OR AIR SUPPLY/RETURN, IES RP1 FOR NORMAL VDT USE

## Features

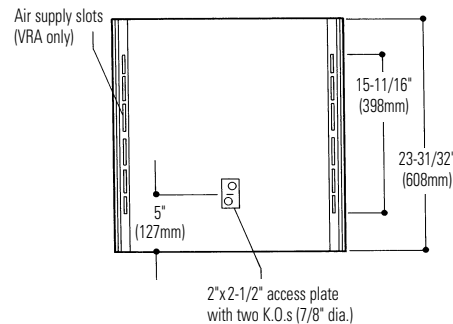
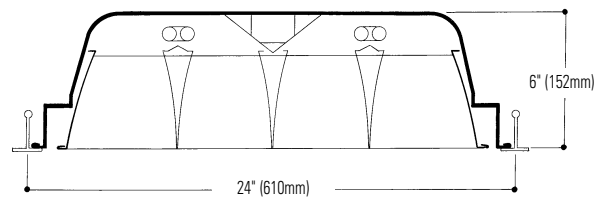
- Meets IES RP1 for lighting VDT areas with normal use.
- 52.2% efficient.
- 1.8 spacing mounting ratio.
- Candelas at Nadir (0°) do not exceed 1224.
- Only 6" deep body.
- One-piece housing.
- Semi-specular low iridescence pre-anodized louver.
- Spring-loaded latches.
- Concealed "T" hinges.
- Louver frame with integral positive light stop.
- Earthquake clips included.
- Louver has protective film dust guard.
- Air closure strips (optional).
- UL-Listed twin knockout access plate.
- Construction to meet Chicago Plenum Code is available.



## MOUNTING METHOD



## DIMENSIONS



## Job Information

## Type:

**Job Name:**

**Cat. No.:**

**Lamp(s):**

**Volts/Ballast:**

Lightolier a Genlyte Thomas Company [www.lightolier.com](http://www.lightolier.com)  
 Technical Information: (978) 657-7600 • Fax (978) 658-0595  
 631 Airport Road, Fall River, MA 02720 • (508) 679-8131 • Fax (508) 674-4710  
 We reserve the right to change details of design, materials and finish.  
 © 2002 Genlyte Thomas Group LLC (Lightolier Division)  
 A0902 **SECTION 2/Folio G05-48 REV. A**

**LIGHTOLIER** 



# VR PARABOLIC VRA2G16LV2FT

2'x2' RECESSED FLUORESCENT, 4" DEEP, 16 CELL (4x4) PARABOLIC LOUVER  
 STATIC OR AIR SUPPLY/RETURN, IES RP1 FOR NORMAL VDT USE

## PHOTOMETRY

MODEL NO. VRA2G16LV2FT

LER = FP - 39.0 WATTS - 69.0 BF - 0.82  
 Comparative yearly lighting energy cost per 1000 lumens = \$6.15

**GT TESTING LABORATORY**  
 45 Industrial Way  
 Wilmington, MA 01887  
 (508) 657-7600

REPORT NO.: G94053 DATE: 08-18-1994  
 CATALOG NO.: VRA2G16LV2FT120SB  
 LAMP(S): 2 F40BX/SP35/RS, EACH RATED 3160 LUMENS  
 LUMINAIRE: 2X2 VDT TROFFER WITH 16 CELL SEMI-SPECULAR LOUVER WITH TOP VEES. AND NO INTERNAL REFLECTORS, B2321120RH BALLAST WATTS = 69, BF = 0.82

**CANDELA DISTRIBUTION**

0	5	15	25	35	45	55	65	75	85	90
0.0	1224	1184	1088	939	711	55	36	10	2	0
22.5	1224	1184	1088	939	711	55	36	10	2	0
45.0	1224	1184	1088	939	711	55	36	10	2	0
67.5	1224	1184	1088	939	711	55	36	10	2	0
90.0	1224	1184	1088	939	711	55	36	10	2	0

**FLUX**

0	5	15	25	35	45	55	65	75	85	90
117	360	692	1064	832	194	9	1			
117	360	692	1064	832	194	9	1			
117	360	692	1064	832	194	9	1			
117	360	692	1064	832	194	9	1			
117	360	692	1064	832	194	9	1			

**ZONAL LUMEN SUMMARY**

ZONE	LUMENS	%LAMP	%FIXT
0-30	1169	18.6	35.5
0-40	2223	35.3	67.6
0-60	3249	51.6	98.7
0-90	3291	52.2	100.0
90-180	0	0.0	0.0
0-180	3291	52.2	100.0

**TOTAL LUMINAIRE EFFICIENCY = 52.2 %**  
**TOTAL REFLECTANCE OF PAINT = 90.0 %**  
**CIE TYPE - DIRECT**  
**PLANE : 0-DEG 90-DEG**  
**SPACING CRITERIA : 1.2 1.8**  
**SHIELDING ANGLES : 65 85**  
**LUMINOUS LENGTH : 22.250 22.250**

**LUMINANCE DATA IN CANDELA/SQ M**

ANGLE	AVERAGE	AVERAGE	AVERAGE
IN DEG	0-DEG	45-DEG	90-DEG
0	3831.	3831.	3831.
45	3147.	5980.	4041.
55	1042.	1130.	475.
65	267.	193.	163.
75	121.	85.	60.
85	72.	72.	72.

**coefficients of utilization — zonal cavity method** (effective floor cavity reflectance 0.20)

	RF	20		50		80	
	RC	70	50	30	50	30	10
	RW	50	30	10	50	30	10
room cavity ratio	1	59	57	56	54	53	52
	2	55	52	50	50	48	46
	3	52	48	45	45	43	41
	4	48	43	40	42	39	37
	5	45	39	36	38	35	32
	6	42	36	32	35	31	29
	7	39	32	29	31	28	26
	8	35	29	25	28	25	22
	9	32	26	22	25	22	19
	10	30	23	20	23	19	17

**visual comfort probability** (rated lumens per lamp 3150.)

room size	ceiling height				ceiling height					
	W	L	8.5	10.0	13.0	16.0	8.5	10.0	13.0	16.0
20	20	20	90	88	84	74	95	90	87	75
20	30	30	91	89	86	77	95	92	90	79
20	40	40	91	90	88	80	95	91	90	82
20	60	60	91	91	89	82	96	91	90	82
30	20	20	90	88	87	78	95	91	90	78
30	30	30	91	90	88	80	96	92	92	82
30	40	40	91	91	90	82	96	92	92	84
30	60	60	92	91	91	84	96	92	92	84
30	80	80	92	91	91	84	96	92	92	84
40	20	20	90	88	87	80	95	91	90	81
40	30	30	91	90	89	82	96	92	92	84
40	40	40	92	91	90	84	96	92	92	86
40	60	60	92	91	91	85	96	92	92	86
40	80	80	92	91	91	86	96	92	92	86
40	100	100	92	91	91	86	96	92	92	86
60	20	20	92	90	89	82	96	92	92	84
60	30	30	92	91	90	84	96	92	92	86
60	40	40	92	91	91	86	96	92	92	86
60	60	60	92	91	91	86	96	92	92	86
60	80	80	92	91	91	86	96	92	92	86
60	100	100	92	91	91	86	96	92	92	86
100	20	20	92	91	90	84	96	92	92	86
100	30	30	92	91	91	86	96	92	92	86
100	40	40	92	91	91	86	96	92	92	86
100	60	60	92	91	91	86	96	92	92	86
100	80	80	92	91	91	86	96	92	92	86
100	100	100	92	91	91	86	96	92	92	86

## ORDERING INFORMATION

Explanation of Catalog Number. Example: VRA2G16LV2FT120SBGLR

<b>VR</b>	<b>2</b>	<b>16</b>	<b>V</b>	<b>2</b>	<b>FT</b>	<b>VOLTAGE:</b> 120 or 277	<b>OPTIONS:</b> Add appropriate suffix to catalog no. ie: (GLR)
<b>VR:</b> 4" Deep Pre-anodized Aluminum Louver For Normal VDT Use	<b>BODY STYLE:</b> A=Air Handling S=Static	<b>CEILING TYPE:</b> G= Grid (lay-in T bar) F=Flanged (overlap) Z spline and plaster frame T=Slot grid or two-directional concealed T (see options)	<b>LOUVER FINISH*:</b> L=Low Iridescence Semi-specular (standard) P=Low Iridescence Specular	<b>LAMP QUANTITY</b>	<b>LAMP TYPE/ FIXTURE LENGTH:</b> Twin Tube T5 (Nominal 24")	<b>BALLAST TYPE:</b> <20THD <10THD 1-2 Lamp Elec. TT5 (40 watt) LOL TT5 Dimming *Instant Start Standard	<b>SB* PB</b> <b>IB* -</b>

Other dimming options. Consult factory.

## OPTIONS & ACCESSORIES

- PLASTER FRAME:** Catalog Number: PF22.
- CONTINUOUS ROW INSTALLATION:** For F type fixtures, half-width flanges are required between fixtures, Order Catalog Number: S2FCTRIM (each joint).
- SPLAY TRIM:** For T ceiling type only. SUFFIX: CT222 S2 SPLAY TRIM.
- RADIO INTERFERENCE FILTER:** 120 or 277 volt, 50 or 60 Hz. One per fixture standard. SUFFIX: RF.
- ELECTRICAL WIRING OPTIONS:** Consult factory.
- AIR CLOSURE STRIPS:** SUFFIX ACS2 (factory installed).
- DRYWALL KIT:** Order Catalog Number: FK92X2. (Request Folio OA30-10.)
- CHICAGO PLENUM:** SUFFIX: CP.

## SPECIFICATIONS

**PERFORMANCE:** In an installation of 2 lamp 40W luminaires in a room cavity ratio of 1, reflectance 80% ceiling, 50% wall, 20% floor, the C.U. shall not be less than .57 with a spacing to mounting ratio of 1.8 perpendicular to the lamps. To meet IES RP1 preferred requirements for VDT areas the VCP (visual comfort probability) shall not be less than 92 either crosswise or lengthwise and the maximum average brightness at 65°, 75° and 85° shall not exceed 267, 121 and 72 candelas per square meter respectively in the 0°, 45°, and 90° horizontal planes. Candelas at Nadir (0°) not to exceed 1224.

## SPECIFICATIONS (continued)

- AIR HANDLING:** (VRA only) side air passages for air supply or air return. Optional side closure strips. Air return is also provided through the lamp compartment through fixture body ends.
- MATERIALS:** Chassis parts are die-formed code gauge cold rolled steel.
- Housing** side rails hemmed over and housing ends turned-in for safe handling.
- LOUVER:** Pre-anodized aluminum (Coilzak® or equal).
- FINISH:** Chassis exterior—black baked polyester enamel. Cavity—white baked polyester enamel minimum 86% reflectance. Phosphate undercoating.
- Louwer**—low iridescence semi-specular anodized vertical grain aluminum reflector sheet is standard.
- ELECTRICAL:** Thermally protected class "P" ballast C.B.M. approved, non PCB. If K.O. is within 3" of ballast, use wire suitable for at least 90°.
- LABELS:** I.B.E.W./UL and C-UL.

## Job Information Type:

**Lightolier** a Genlyte Thomas Company www.lightolier.com  
 Technical Information: (978) 657-7600 • Fax (978) 658-0595  
 631 Airport Road, Fall River, MA 02720 • (508) 679-8131 • Fax (508) 674-4710  
 We reserve the right to change details of design, materials and finish.  
 © 2002 Genlyte Thomas Group LLC (Lightolier Division)  
 A0902 SECTION 2/Folio G05-48 REV. A

LIGHTOLIER®

## Free Manuals Download Website

<http://myh66.com>

<http://usermanuals.us>

<http://www.somanuals.com>

<http://www.4manuals.cc>

<http://www.manual-lib.com>

<http://www.404manual.com>

<http://www.luxmanual.com>

<http://aubethermostatmanual.com>

Golf course search by state

<http://golfingnear.com>

Email search by domain

<http://emailbydomain.com>

Auto manuals search

<http://auto.somanuals.com>

TV manuals search

<http://tv.somanuals.com>