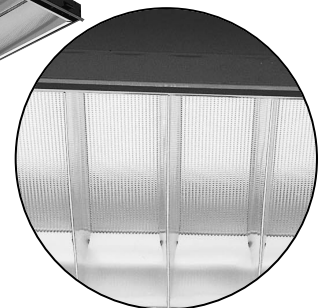


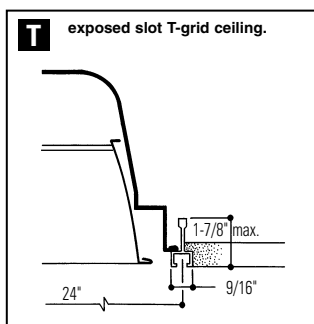
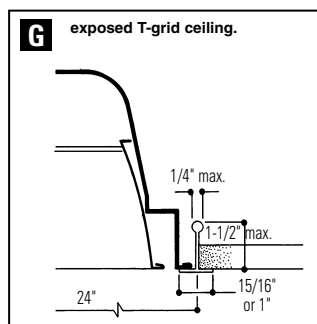
VIDEO TELECONFERENCE LUMINAIRE VTS2GPK332

Features

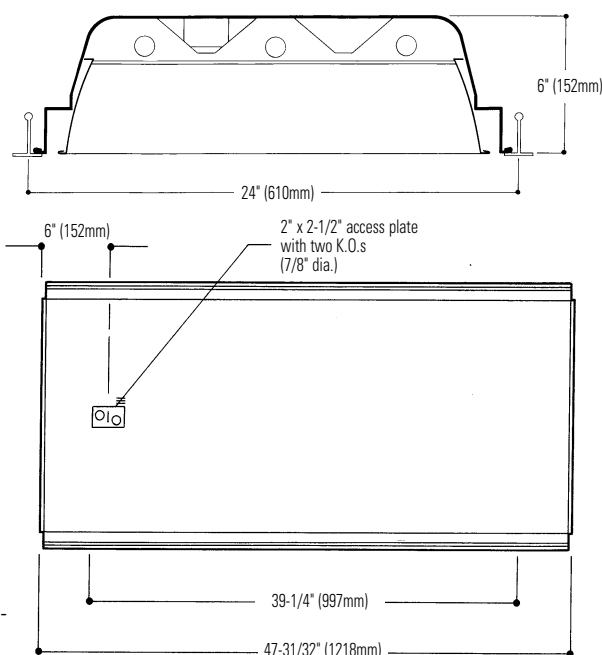
- Provides soft vertical illumination for comfortable televising of participants.
- Shields the camera from light sources and eliminates glare on the projection screen.
- Integrated specular parabolic blades and prismatic acrylic lens assembly for directional brightness control.
- 86 minimum VCP in rooms with less than 10' ceiling (3 lamp T8).
- Spring-loaded latches.
- Concealed "T" hinges.
- Louver/lens assembly with positive light stop.
- Four earthquake clips standard.
- UL-Listed twin knockout access plate.
- Construction to meet NYC Code Requirements and Chicago Plenum Code is available.



MOUNTING METHODS



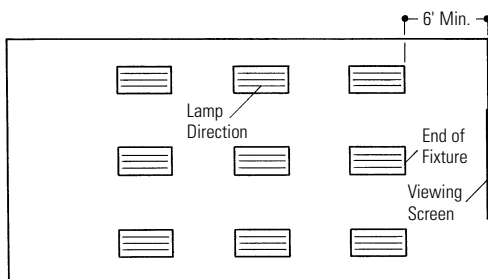
DIMENSIONS



TELECONFERENCE LIGHTING RECOMMENDATIONS

1. I.E.S. recommends 50 maintained footcandles for teleconferencing.
2. 3000K lamps with C.R.I. of 82 suggested for better skin tone.
3. Teleconferencing luminaires are to be mounted in the ceiling with the lamps perpendicular to the wall that the viewing screen is on.
4. The end of the first fixture must be a minimum of 6 feet from the viewing screen (see diagram).
5. Side and back walls should be illuminated to reduce contrast vs. other vertical surfaces. Use wall lighting luminaires where necessary. 5:1 maximum luminance ratio suggested.

NOTE: For wall lighting, request Folio K20-05.



TELECONFERENCING ORIENTATION

Job Information

Type:

Job Name:

Cat. No.:

Lamp(s):

Volts/Ballast:

Lightolier a Genlyte Thomas Company

www.lightolier.com

Technical Information: (978) 657-7600 • Fax (978) 658-0595

631 Airport Road, Fall River, MA 02720 • (508) 679-8131 • Fax (508) 674-4710

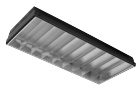
We reserve the right to change details of design, materials and finish.

© 2002 Genlyte Thomas Group LLC (Lightolier Division)

A0902

SECTION 5/Folio K05-15

LIGHTOLIER



VIDEO TELECONFERENCE LUMINAIRE VTS2GPK332

PHOTOMETRY

MODEL NO. VTS2GPK33212003

LER = FP - 54.6 IW - 83.5 BF - 0.89
Comparative yearly lighting energy cost per 1000 lumens = \$4.39

GI TESTING LABORATORY
45 Industrial Way
Wilmington, MA 01887
(978) 657-7600

REPORT NO.: G01070 DATE: 02-15-2002
CATALOG NO.: VTS2GPK33212003
LAMP(S): 3 FP32/T8 L841, EACH RATED 2850 LUMENS.
LUMINAIRE: NEW VFA DESIGN FOR TELECONFERENCING WITH
KA OVERLAY
ADVANCE RELIP32-SC
0.69 AMPS 83.5 WATTS

CADELA DISTRIBUTION FLUX

0	0	22.5	45.0	67.5	90.0	
0	2982	2982	2982	2982	2982	2982
5	2969	2964	2966	2966	2969	2969
15	2777	2804	2874	2945	2969	812
25	2374	2461	2655	2809	2855	1210
35	1657	1838	2127	2325	2434	1298
45	796	1036	1283	1516	1682	969
55	139	256	473	657	601	403
65	13	14	43	253	184	108
75	7	7	7	18	66	21
85	4	4	4	4	3	4
90	0	0	0	0	0	0

ZONAL LUMEN SUMMARY

ZONE	LUMENS	%LAMP	%EXIT
0-30	2304	26.9	45.1
0-40	3602	42.1	70.5
0-60	4974	58.2	97.4
0-90	5107	59.7	100.0
90-180	0	0.0	0.0
0-180	5107	59.7	100.0

TOTAL LUMINAIRE EFFICIENCY = 59.7 %
TOTAL REFLECTANCE OF PAINT = 90.0 %
CIE TYPE - DIRECT

PLANE : 0-DEG 90-DEG
SPACING CRITERIA : 1.1 1.3
SHIELDING ANGLE : 55 75
PLANE : 0-DEG 90-DEG
LUMINOUS LENGTH : 21.480 45.480

LUMINANCE DATA IN CANDELA/SQ M
ANGLE AVERAGE AVERAGE AVERAGE
IN DEG 0-DEG 45-DEG 90-DEG
55 384. 1308. 1662.
65 49. 161. 691.
75 43. 43. 404.
85 73. 73. 55.

THIS REPORT IS BASED ON PUBLISHED INDUSTRY PROCEDURES • FIELD PERFORMANCE MAY DIFFER FROM LABORATORY PERFORMANCE

coefficients of utilization — zonal cavity method (effective floor cavity reflectance 0.20)

RF	20						20			
RC	80						30			
RW	70	50	30	50	30	10	50	30	10	
room cavity ratio	1	67	65	63	61	60	59	59	58	57
2	63	59	56	56	54	52	54	52	51	
3	58	54	50	51	48	46	50	47	45	
4	55	49	45	47	44	41	46	43	40	
5	51	45	40	43	39	37	42	39	36	
6	48	41	37	40	36	33	39	35	33	
7	45	38	33	37	33	30	36	32	30	
8	42	35	31	34	30	27	33	30	27	
9	39	32	28	31	28	25	31	27	25	
10	37	30	26	29	26	23	29	25	23	

visual comfort probability (rated lumens per lamp 2850.)

room size		ceiling height				ceiling height			
W	L	8.5	10.0	13.0	16.0	8.5	10.0	13.0	16.0
20	20	97	96	96	92	90	86	85	84
20	30	97	96	96	92	91	87	83	81
20	40	97	96	96	92	91	88	84	80
20	60	97	96	96	93	91	88	86	82
30	20	97	96	96	92	90	86	88	85
30	30	97	96	96	92	91	87	86	82
30	40	98	96	96	93	91	88	86	81
30	60	98	96	96	93	91	88	88	82
30	80	97	96	96	93	91	88	88	82
40	20	97	96	96	92	90	87	88	88
40	30	98	96	96	93	91	87	87	84
40	40	98	97	96	93	91	88	87	83
40	60	97	97	97	93	91	88	88	84
40	80	97	97	97	93	91	88	88	84
40	100	98	97	97	93	91	88	88	84
60	30	98	97	97	93	91	87	87	84
60	40	97	97	97	93	91	88	87	83
60	60	97	97	97	93	91	88	88	84
60	80	97	97	97	93	91	88	88	84
60	100	98	97	97	93	91	88	88	84
100	40	97	97	97	93	91	88	87	83
100	60	97	97	97	94	91	88	88	84
100	80	97	97	97	94	91	88	88	84
100	100	97	97	97	94	91	89	88	84

ORDERING INFORMATION

Explanation of Catalog Number. Example: VTS2GPK33212003GLR

Blank-Standard N=NC Code	VT Video Teleconference Luminaire	S BODY STYLE: S=Static	2 FIXTURE WIDTH	PK INTEGRATED SHIELDING	LAMP QUANTITY: 2-2 Lamp 3-3 Lamp 4-4 Lamp	LAMP TYPE/ FIXTURE LENGTH: 32=T8	VOLTAGE: 120 or 277	BALLAST TYPE: <20THD S0* O3* O4* PS <10THD H1* H3* H4* -	OPTIONS: Add appropriate suffix to catalog no. ie: (GLR)
-----------------------------	---------------------------------------------------	-------------------------------------	------------------------------	--------------------------------------	---------------------------------------------------------------	----------------------------------------------------	-------------------------------	-----------------------------------------------------------------------------------------------	--------------------------------------------------------------------------

*Instant Start Standard
Other dimming options consult factory.

OPTIONS & ACCESSORIES

RADIO INTERFERENCE FILTER 120 or 277 volt, 50 or 60 Hz. One per fixture is standard. SUFFIX: **RF**.

ELECTRICAL/WIRING OPTIONS Consult factory.

DRYWALL KIT: Order Catalog Number: **FK92X4**. (Request Folio OA30-10).

CHICAGO PLENUM: SUFFIX: **CP**.

SPECIFICATIONS

MATERIALS: Chassis parts are die formed code gauge cold rolled steel.

Housing side rails hemmed over and housing ends turned-in for safe handling.

Parabolic Blades—pre-anodized specular aluminum (Coilzak® or equal).

Lens—High quality glare control lens with square based male conical prisms.

FINISH: Chassis exterior—black baked polyester enamel. Cavity—white baked polyester enamel minimum 86% reflectance. Phosphate undercoating.

ELECTRICAL: Thermally protected class "P" ballast C.B.M. approved, non PCB. If K.O. is within 3" of ballast, use wire suitable for at least 90°.

LABELS: I.B.E.W./UL and ULc listed.

Job Information Type:

Lightolier a Genlyte Thomas Company www.lightolier.com
Technical Information: (978) 657-7600 • Fax (978) 658-0595
631 Airport Road, Fall River, MA 02720 • (508) 679-8131 • Fax (508) 674-4710
We reserve the right to change details of design, materials and finish.
© 2002 Genlyte Thomas Group LLC (Lightolier Division)
A0902 **SECTION 5/Folio K05-15**

LIGHTOLIER®

Free Manuals Download Website

<http://myh66.com>

<http://usermanuals.us>

<http://www.somanuals.com>

<http://www.4manuals.cc>

<http://www.manual-lib.com>

<http://www.404manual.com>

<http://www.luxmanual.com>

<http://aubethermostatmanual.com>

Golf course search by state

<http://golfingnear.com>

Email search by domain

<http://emailbydomain.com>

Auto manuals search

<http://auto.somanuals.com>

TV manuals search

<http://tv.somanuals.com>