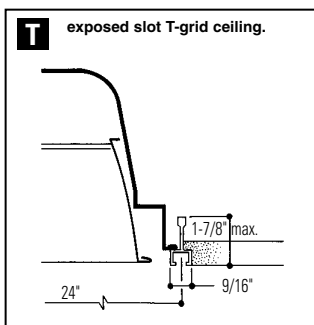
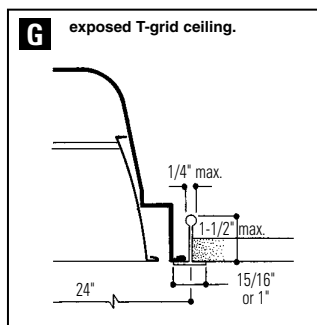


Features

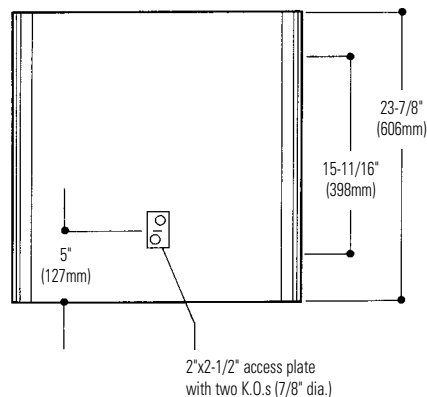
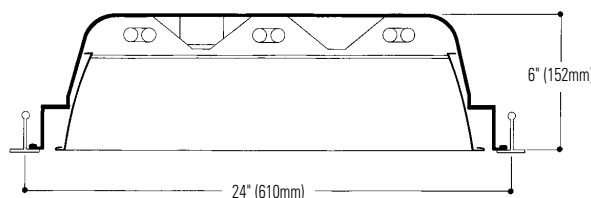
- Provides soft vertical illumination for comfortable televising of participants.
- Shields the camera from light sources and eliminates glare on the projection screen.
- Integrated specular parabolic blades and prismatic acrylic lens assembly for directional brightness control.
- 77 minimum VCP in rooms with less than 10' ceiling (3 lamp TT5).
- Spring-loaded latches.
- Concealed "T" hinges.
- Louver/lens assembly with positive light stop.
- Four earthquake clips standard.
- UL-Listed twin knockout access plate.
- Construction to meet NYC Code Requirements and Chicago Plenum Code is available.



MOUNTING METHODS



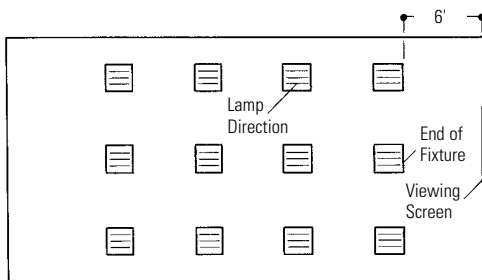
DIMENSIONS



TELECONFERENCE LIGHTING RECOMMENDATIONS

1. I.E.S. recommends 50 maintained footcandles for teleconferencing.
2. 3000K lamps with C.R.I. of 82 suggested for better skin tone.
3. Teleconferencing luminaires are to be mounted in the ceiling with the lamps perpendicular to the wall that the viewing screen is on.
4. The end of the first fixture must be a minimum of 6 feet from the viewing screen (see diagram).
5. Side and back walls should be illuminated to reduce contrast vs. other vertical surfaces. Use wall lighting luminaires where necessary. 5:1 maximum luminance ratio suggested.

NOTE: For wall lighting, request Folio K20-05.



TELECONFERENCE ORIENTATION

Job Information

Type:

Job Name:

Cat. No.:

Lamp(s):

Volts/Ballast:

Lightolier a Genlyte Thomas Company

www.lightolier.com

Technical Information: (978) 657-7600 • Fax (978) 658-0595

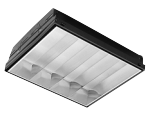
631 Airport Road, Fall River, MA 02720 • (508) 679-8131 • Fax (508) 674-4710

We reserve the right to change details of design, materials and finish.

© 2002 Genlyte Thomas Group LLC (Lightolier Division)

A0902

SECTION 5/Folio K05-10



VIDEO TELECONFERENCE LUMINAIRE

VTS2GPK3FT

PHOTOMETRY

MODEL NO. VTS2GPK3FT120X3

LER = FP - 42.9 WATTS - 102.6 BF - 0.85
Comparative yearly lighting energy cost per 1000 lumens = \$5.59

GI TESTING LABORATORY
45 Industrial Way
Wilmington, MA 01887
(978) 657-7600

REPORT NO.: G02032 DATE: 03 05 02
CATALOG NO.: VTS2GPK3FT120X3
LAMP(S): 3 P40BK/SPX35, EACH RATED 3350 LUMENS
LUMINAIRE: NEW 2X2 TELECONFERENCING FIXTURE WITH RA LENS
(2) TREAD C240120R01
0.8A AMPS 102.6 WATTS

CANDELA DISTRIBUTION	FLUX
0.0	22.5 45.0 67.5 90.0
0	3384 3384 3384 3384 3384
5	3372 3358 3356 3367 3364
15	3137 3164 3237 3315 3331
25	2625 2722 2868 2973 2997
35	1789 1947 2139 2251 2334
45	863 1052 1104 1213 1233
55	141 238 461 567 516
65	14 15 42 250 151
75	7 7 8 16 63
85	4 4 4 4 4
90	0 0 0 0 0

ZONAL LUMEN SUMMARY

ZONE	LUMENS	%LAMP	%FIXT
0-30	2538	26.9	48.7
0-40	3844	40.7	73.8
0-60	5080	53.8	97.5
0-90	5212	55.1	100.0
90-180	0	0.0	0.0
0-180	5212	55.1	100.0

TOTAL LUMINAIRE EFFICIENCY = 55.1 %
TOTAL REFLECTANCE OF PAINT = 90.0 %
CIE TYPE - DIRECT
PLANE : 0-DEG 90-DEG
SPACING CRITERIA : 1.0 1.2
PLANE : 0-DEG 90-7PG
LUMINOUS LENGTH : 21.480 21.480

LUMINANCE DATA IN CANDELA/SQ M

ANGLE	AVERAGE	MAXIMUM
0-DEG	45.099	5243.3846
55	826.2699	3021.1200
65	111.334	1200.0000
75	91.104	187.0000
85	154.154	154.0000

THIS REPORT IS BASED ON PUBLISHED INDUSTRY PROCEDURES - FIELD PERFORMANCE MAY DIFFER FROM LABORATORY PERFORMANCE

coefficients of utilization — zonal cavity method (effective floor cavity reflectance 0.20)

RF	20			50			80		
RC	80			50			30		
RW	70	50	30	50	30	10	50	30	10
1	62	60	59	57	55	54	55	54	53
2	58	55	52	52	50	48	50	49	47
3	54	50	47	48	45	43	46	44	42
4	51	46	42	44	41	39	43	40	38
5	48	42	38	40	37	35	39	37	34
6	45	39	35	37	34	31	36	33	31
7	42	36	32	35	31	29	34	31	29
8	39	33	29	32	29	26	31	28	26
9	37	31	27	30	27	24	29	26	24
10	35	29	25	28	25	22	27	24	22

visual comfort probability (rated lumens per lamp 3150.)

room size		ceiling height			ceiling height				
W	L	8.5	10.0	13.0	16.0	8.5	10.0	13.0	16.0
20	20	94	92	89	81	82	77	76	75
20	30	95	93	92	85	84	78	72	70
20	40	96	93	92	87	86	80	73	69
20	60	96	94	93	85	87	82	76	70
30	20	94	91	89	81	82	79	80	76
30	30	95	92	91	85	86	80	75	71
30	40	95	93	91	85	88	83	76	69
30	60	95	93	93	85	89	84	79	70
30	80	95	94	93	85	89	86	81	70
40	20	94	92	90	81	83	79	80	79
40	30	95	92	92	85	86	80	77	74
40	40	96	93	92	85	99	93	78	72
40	60	96	94	93	85	89	85	80	73
40	80	95	94	93	85	90	86	82	73
40	100	95	94	94	85	90	87	84	73
60	30	95	93	92	85	86	80	77	74
60	40	96	93	92	86	88	83	78	72
60	60	96	94	93	86	90	85	81	74
60	80	95	94	93	86	90	87	83	75
60	100	95	94	94	86	90	88	85	75
100	40	96	93	92	87	88	83	78	73
100	60	96	94	92	87	90	86	81	74
100	80	95	94	93	87	91	88	84	75
100	100	95	94	94	87	91	89	85	76

ORDERING INFORMATION

Explanation of Catalog Number. Example: VTS2GPK3FT120X3GLR

Blank -Standard N=NYC Code	VT Video Teleconference Luminaire	S BODY STYLE: S=Static	2 FIXTURE WIDTH	PK CEILING TYPE: G= Grid (lay-in T bar) T= Slot Grid	LAMP QUANTITY 2=2 Lamp 3=3 Lamp	LAMP TYPE/ FIXTURE LENGTH: 6U=6"U Lamp T8 (2 Lamp Only) FT=Twin Tube T5 (Nominal 24")	VOLTAGE: 120 or 277	BALLAST TYPE: <20THD SO* HI* SB* IB* O3* H3* X3* I3* PS - PB -	OPTIONS: Add appropriate suffix to catalog no. ie: (GLR)
--------------------------------------	---	-------------------------------------	------------------------------	---	--	--	-------------------------------	--	--

*Instant Start Standard
Other dimming options. Consult factory.

OPTIONS & ACCESSORIES

- RADIO INTERFERENCE FILTER** 120 or 277 volt, 50 or 60 Hz. One per fixture. SUFFIX: RF.
- ELECTRICAL/WIRING OPTIONS** Consult factory.
- DRYWALL KIT:** Order Catalog Number: **FK92X2**. (Request Folio OA30-10).
- CHICAGO PLENUM:** SUFFIX: CP.

SPECIFICATIONS

- MATERIALS:** Chassis parts are die formed code gauge cold rolled steel.
- Housing** side rails hemmed over and housing ends turned-in for safe handling.
- Parabolic Blades**—pre-anodized specular aluminum (Coilzak® or equal).
- Lens**—High quality glare control lens with square based male conical prisms.
- FINISH:** Chassis exterior—black baked polyester enamel. **Cavity**—white baked polyester enamel minimum 86% reflectance. Phosphate undercoating.
- ELECTRICAL:** Thermally protected class "P" ballast C.B.M. approved, non PCB. If K.O. is within 3" of ballast, use wire suitable for at least 90°.
- LABELS:** I.B.E.W./UL and ULc listed.

Job Information Type:

Lightolier a Genlyte Thomas Company www.lightolier.com
 Technical Information: (978) 657-7600 • Fax (978) 658-0595
 631 Airport Road, Fall River, MA 02720 • (508) 679-8131 • Fax (508) 674-4710
 We reserve the right to change details of design, materials and finish.
 © 2002 Genlyte Thomas Group LLC (Lightolier Division)
 A0902 **SECTION 5/Folio K05-10**



Free Manuals Download Website

<http://myh66.com>

<http://usermanuals.us>

<http://www.somanuals.com>

<http://www.4manuals.cc>

<http://www.manual-lib.com>

<http://www.404manual.com>

<http://www.luxmanual.com>

<http://aubethermostatmanual.com>

Golf course search by state

<http://golfingnear.com>

Email search by domain

<http://emailbydomain.com>

Auto manuals search

<http://auto.somanuals.com>

TV manuals search

<http://tv.somanuals.com>