

# DOMINAIRE II WA SERIES 232

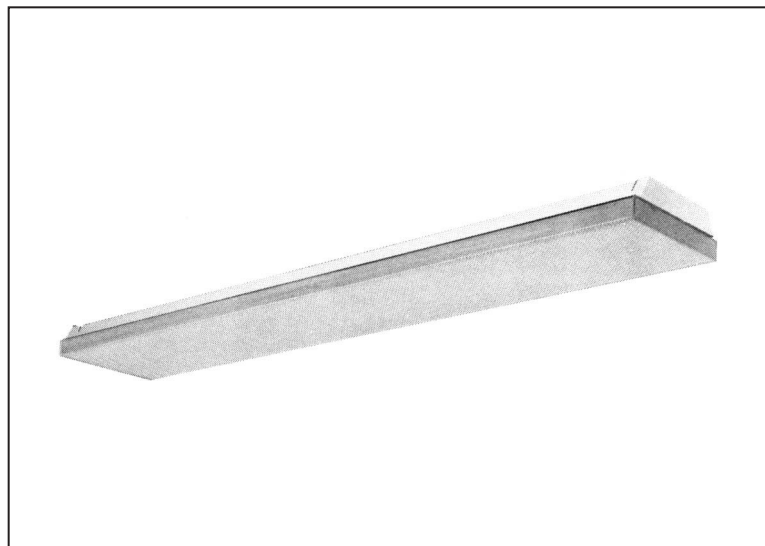
Page 1 of 2

SURFACE WRAPAROUND FLUORESCENT, 9" WIDE x 2 5/8" DEEP x 48" OR 96" LENGTHS

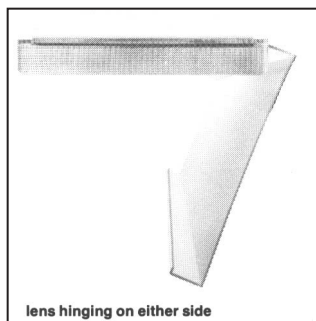
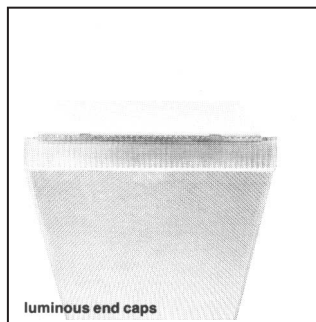
2 LAMP, T8 OR T12

## Features

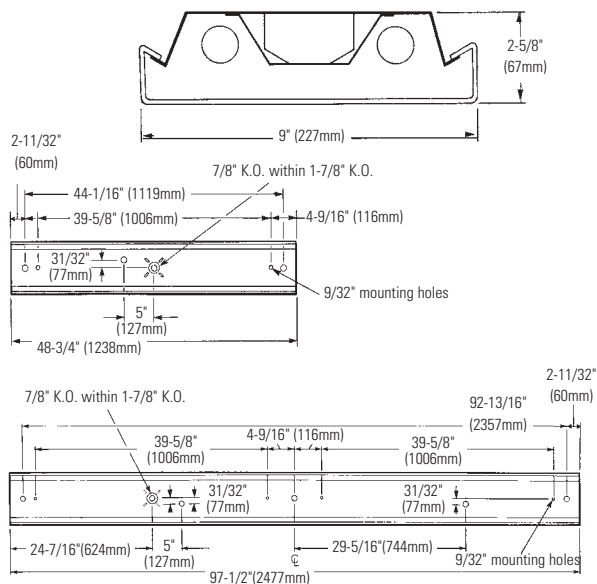
- Step back housing for an apparent depth of 1 1/2".
- Completely assembled with setup ends to lamp holders.
- Only 3" total depth.
- Prismatic virgin acrylic lens – 9" wide.
- Efficiency 70.9%.
- Luminous catadioptric end caps.
- Two side self-leveling lens hinging.
- Zip-clip flush mount on T-grid ceilings.
- Off center 7/8" K.O. for flush mount to T-grid ceiling.
- Optional UL-Listed low density mounting spacers.



## Features



## Dimensions



## Job Information

## Type:

**Job Name:**

**Cat. No.:**

**Lamp(s):**

**Volts/Ballast:**

Lightolier a Genlyte Thomas Company

www.lightolier.com

Technical Information: (978) 657-7600 • Fax (978) 658-0595

631 Airport Road, Fall River, MA 02720 • (508) 679-8131 • Fax (508) 674-4710

We reserve the right to change details of design, materials and finish.

© 2002 Genlyte Thomas Group LLC (Lightolier Division)

A0902

Section 3A/Folio H90-12 Rev. B

**LIGHTOLIER**

# DOMINAIRE II WA SERIES 232

Page 2 of 2 SURFACE WRAPAROUND FLUORESCENT, 9" WIDE x 2 5/8" DEEP x 48" OR 96" LENGTHS  
2 LAMP, T8 OR T12

## Photometry Model No. WA4A232120SO

LER = FS - 56.5 Watts - 63.0 BF - 0.88  
Comparative yearly lighting energy cost per 1000 lumens = \$4.25

**ifl boulder**  
THE LIGHT CENTER OF THE ROCKIES  
INDEPENDENT TESTING LABORATORIES, INC. • 3386 LONGHORN ROAD, BOULDER, COLORADO 80302 • PHONE (303) 442-1255  
REPORT NUMBER: IFL32029 DATE: 5-23-86  
PREPARED FOR: IERNE  
CATALOG NUMBER: WA4A232120SO  
LUMINAIRE: METAL HOUSING WITH SYNTHETIC ENAMEL REFLECTOR, CLEAR PRISMATIC WRAPAROUND ENCLOSURE.  
BALLAST: ADVANCE CAT. NO. REL9P8-SC  
LAMPS: TWO F32 T8, EACH RATED 2860 LUMENS  
MOUNTING: SURFACE/PENDANT  
TOTAL INPUT WATTS = 56.5 AT 120.0 VOLTS  
LUMEN TO KANDOLA RATIO USED = 9.15  
THE 0 DEGREE PLANE IS PARALLEL WITH THE LAMPS.

CANDELA DISTRIBUTION		FLUX		
0.0	22.5	45.0	67.5	90.0
0	1616	1616	1616	1616
5	1617	1619	1614	1614
15	1566	1558	1575	1582
25	1450	1462	1482	1495
35	1274	1297	1321	1330
45	979	1017	1043	1044
55	546	624	689	669
65	287	328	374	371
75	132	152	214	230
85	66	69	93	118
90	2	18	37	69
95	5	18	35	67
105	11	15	63	139
115	19	40	91	109
125	11	36	55	71
135	17	26	41	45
145	11	17	30	40
155	6	8	22	30
165	14	14	16	25
175	15	26	25	28
180	22	22	22	22

**70% LUMEN SUMMARY**

ZONE	LUMENS	LAMP	SEFT
0-20	1231	20.3	39.7
0-40	2103	33.8	47.1
0-60	2474	36.1	77.8
0-90	4144	55.0	92.8
90-120	232	3.4	4.7
90-150	289	4.1	5.8
90-180	306	4.9	6.8
90-190	322	5.1	7.2
0-180	4467	70.8	100.0

TOTAL LUMINAIRE EFFICIENCY = 70.8 %  
TOTAL REFLECTANCE OF PRINT = 90.7 %  
CIE TYPE = DIRFCO  
LATERAL PLANE : 0-DEG 90-DEG  
SPACING CRITERIA : 1, 2, 3, 4  
SPREADING ANGLES : 90, 180

THIS REPORT IS BASED ON PUBLISHED INDUSTRY PROCEDURES. FIELD PERFORMANCE MAY DIFFER FROM LABORATORY PERFORMANCE.

### coefficients of utilization — zonal cavity method

	20			50			80			
	RF	RC	RW	RF	RC	RW	RF	RC	RW	
room cavity ratio	1	77	74	71	68	66	64	64	63	61
	2	71	66	61	60	57	54	57	55	53
	3	65	59	53	54	50	47	52	48	46
	4	60	52	47	49	44	41	47	43	40
	5	55	47	41	44	39	35	42	38	34
	6	51	42	36	39	35	31	38	34	30
	7	47	38	32	36	31	27	34	30	27
	8	43	34	28	32	27	24	31	26	23
	9	40	31	25	29	24	21	28	23	20
	10	37	28	22	26	21	18	25	21	18

### visual comfort probability (VCP) average 100 fc; reflectances 80/50/20

room size	ceiling height				ceiling height					
	W	L	8.5	10.0	13.0	16.0	8.5	10.0	13.0	16.0
20	20	20	61	65	72	77	60	65	71	78
20	30	30	54	58	63	69	53	57	63	69
20	40	40	51	53	58	62	50	53	58	62
20	60	60	47	50	53	57	46	50	53	57
30	20	20	62	66	71	76	61	65	71	76
30	30	30	55	58	62	66	54	57	61	66
30	40	40	51	53	56	60	50	53	56	60
30	60	60	48	50	51	54	46	49	51	55
30	80	80	46	48	48	51	44	47	48	52
40	20	20	63	67	71	76	63	67	72	76
40	30	30	56	59	62	66	56	59	62	66
40	40	40	52	54	56	59	51	53	56	59
40	60	60	49	50	51	54	47	49	51	54
40	80	80	47	48	48	51	45	47	48	51
40	100	100	47	47	46	49	44	46	46	49
60	30	30	58	60	63	67	57	60	63	67
60	40	40	53	55	57	60	53	55	56	59
60	60	60	50	51	51	54	48	50	51	54
60	80	80	48	48	48	50	46	47	48	50
60	100	100	47	47	46	48	44	46	46	48
100	40	40	57	58	59	62	56	58	59	62
100	60	60	53	53	53	56	51	53	53	55
100	80	80	50	51	50	52	48	50	49	51
100	100	100	49	49	48	49	47	48	47	49

## Ordering Information Explanation of Catalog Number. Example: WA4A232120SOGLR

<b>WA</b>	<b>A</b>	<b>2</b>					
<b>DOMINAIRE II:</b> Surface Wrap Fluorescent With White Body	<b>FIXTURE LENGTH:</b> 4=4' Length 8=8' Length	<b>FIXTURE WIDTH:</b> A=9" Wide	<b>LAMP QUANTITY</b> For 4' Fixtures, 2 Lamps For 8' Fixtures, 2 Lamps in Tandem	<b>LAMP</b> 32 =T8, 4' Length 34 =T12, 4' Length	<b>VOLTAGE:</b> 120 or 277	<b>BALLAST TYPE:</b> 1 & 2 Lamp Mag. T12 1 & 2 Lamp Elec. T8 1-4 Lamp Elec. T8 (8' Unit Only) LOL T8 Dimming *Instant Start Standard	<b>OPTIONS:</b> Add appropriate suffix to catalog no., ie: (GLR)  LE <10THD SO* H1* O4* H4* PS

### Options/Accessories

**CANOPY SPACER:** Spacer suspends fixture approximately 1 1/2" from surface.  
Order Catalog Number: **AC1 CSP**.

**STEM AND CANOPY SETS:** Suspends fixture 6", 12", 18" or 24" from surface.  
Order Catalog Number: **ASC6 CSP (6")**, **ASC12 CSP (12")**, **ASC18 CSP (18")**,  
**ASC24 CSP (24")**.

When stem mounting two or four lamp fixtures in continuous rows, units must be coupled with nuts and bolts (by others) at end of fixture. Stem and canopy sets not recommended for three lamp fixtures. Other lengths are available.

Consult factory.

**ELECTRICAL/WIRING OPTIONS:** Consult factory.

**FUSING:** Internal fast-blow fusing. SUFFIX: **GLR**.

Internal slow-blow fusing. SUFFIX: **GMF**.

### Specifications

**PERFORMANCE:** In an installation of 2 lamp 32W luminaires in a room cavity ratio of 1, with reflectance of 80% ceiling, 50% wall, 20% floor, the C.U. shall not be less than .74. To reduce glare the VCP shall be not less than 48 either lengthwise or crosswise (at 100fc level) and the average brightness at 65° shall not exceed 683 footlamberts. To prevent veiling reflections, luminaire output in the 30°-90° zone shall not be less than 64.1%.

### Specifications (continued)

**MATERIALS:** Chassis parts are die-formed code gauge cold rolled steel.

**FINISH:** Chassis exterior—white baked polyester enamel. Cavity—white baked polyester enamel minimum 86% reflectance. Phosphate undercoating.

**LENS:** One-piece extruded virgin acrylic prismatic bottom and side walls.

**END CAPS:** Injection molded catadioptric end caps separate from lens.

**ELECTRICAL:** Thermally protected class "P" ballast C.B.M. approved, non PCB. If K.O. is within 3" of ballast, use wire suitable for at least 90°.

**LABELS:** I.B.E.W. UL and ULc Listed.

### Job Information

**Type:**

Lightolier a Genlyte Thomas Company

www.lightolier.com

Technical Information: (978) 657-7600 • Fax (978) 658-0595

631 Airport Road, Fall River, MA 02720 • (508) 679-8131 • Fax (508) 674-4710

We reserve the right to change details of design, materials and finish.

© 2002 Genlyte Thomas Group LLC (Lightolier Division)

A0902

Section 3A/Folio H90-12 Rev. B

LIGHTOLIER®

## Free Manuals Download Website

<http://myh66.com>

<http://usermanuals.us>

<http://www.somanuals.com>

<http://www.4manuals.cc>

<http://www.manual-lib.com>

<http://www.404manual.com>

<http://www.luxmanual.com>

<http://aubethermostatmanual.com>

Golf course search by state

<http://golfingnear.com>

Email search by domain

<http://emailbydomain.com>

Auto manuals search

<http://auto.somanuals.com>

TV manuals search

<http://tv.somanuals.com>