

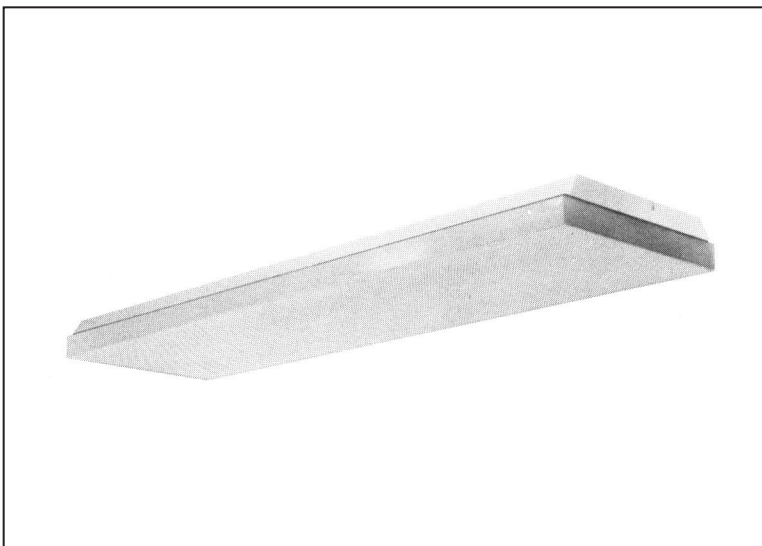
DOMINAIRE II **WB SERIES 232/432**

Page 1 of 2

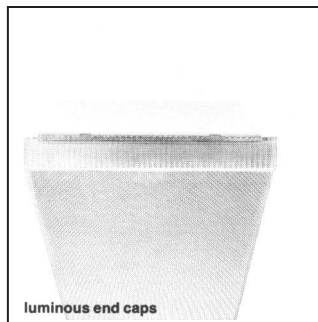
SURFACE WRAPAROUND FLUORESCENT, 14" WIDE x 2 5/8" DEEP x 48" LENGTH
2 OR 4 LAMP, T8 OR T12

Features

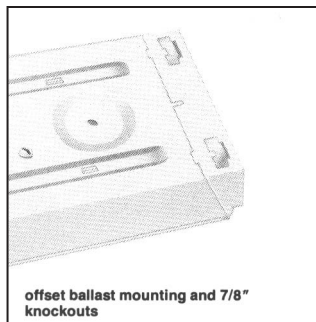
- Step back housing for an apparent depth of 1 1/2".
- Completely assembled with setup ends to lamp holders.
- Only 3" total depth.
- Prismatic virgin acrylic lens – 14" wide.
- Efficiency 70.1%.
- Luminous catadioptric end caps.
- Two side self-leveling lens hinging.
- Zip-clip flush mount on T-grid ceilings.
- Off center 7/8" K.O. for flush mount to T-grid ceiling.
- Optional UL-Listed low density mounting spacers.



Features



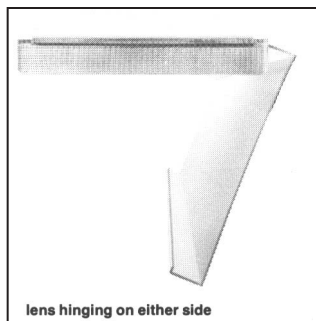
luminous end caps



offset ballast mounting and 7/8" knockouts

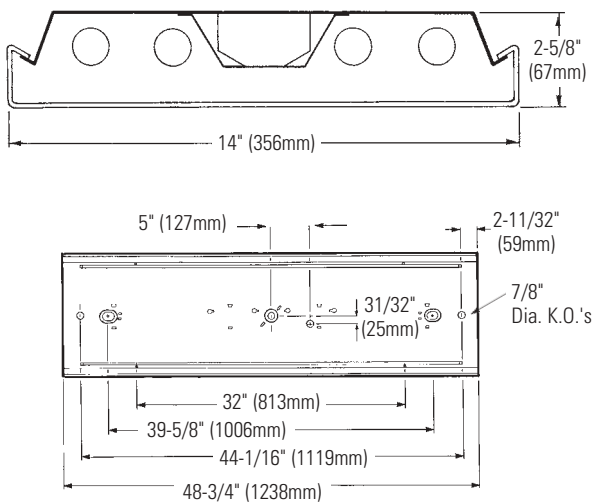


optional canopy spacer, stem sets



lens hinging on either side

Dimensions



Job Information

Type:

Job Name:

Cat. No.:

Lamp(s):

Volts/Ballast:

Lightolier a Genlyte Thomas Company

www.lightolier.com

Technical Information: (978) 657-7600 • Fax (978) 658-0595

631 Airport Road, Fall River, MA 02720 • (508) 679-8131 • Fax (508) 674-4710

We reserve the right to change details of design, materials and finish.

© 2002 Genlyte Thomas Group LLC (Lightolier Division)

A0902

Section 3A/Folio H90-13 Rev. B

LIGHTOLIER®

DOMINAIRE II WB SERIES 232/432

Photometry

Model No. WB4B43212004

LER = FS - 71.0 Watts - 84.4 BF - 0.87

Comparative yearly lighting energy cost per 1000 lumens = \$3.38

ifl boulder
INDEPENDENT TESTING LABORATORIES, INC. • 1386 LONGHORN ROAD, BOULDER, COLORADO 80502 • PHONE (303) 442-1255

REPORT NUMBER: ITL33371 DATE: 7-7-1987
PREPARED FOR: RECREATION LIGHTING PRODUCTS
CATALOG NUMBER: WB4B43212004
LUMINAIRE: FABRICATED METAL HOUSING, SYNTHETIC ENAMEL REFLECTOR,
PLASTIC PRISMATIC WRAP-AROUND ENCLOSURE.
LAMPS: FOUR F2T8, EACH RATED 2850 LUMENS
BALLAST: TKO ADVANCE CAT. NO. REL-2P32-SC
MOUNTING: SURFACE
LUMEN TO CANDLERATIO USED = 9.15
TOTAL INPUT WATTS = 151.8 AT 120.0 VOLTS
THE 0 DEGREE PLANE IS PARALLEL WITH THE LAMPS.

CANDELA DISTRIBUTION

FLUX	0-DEG	30-DEG	60-DEG	90-DEG
0.0	22.5	45.0	67.5	90.0
0	3187	3187	3187	3187
5	3182	3192	3192	3195
15	3080	3107	3131	3155
25	2858	2996	2968	3012
35	2521	2594	2650	2742
45	2000	2115	2216	2209
55	1108	1302	1383	1327
65	663	660	738	699
75	412	445	415	425
85	130	141	188	202
90	36	51	72	119
95	29	44	73	125
105	30	37	78	172
115	30	57	121	140
125	31	46	77	92
135	31	47	66	78
145	16	16	47	63
155	16	16	32	47
165	16	16	32	47
175	16	16	32	47
180	0	0	0	0

ZONAL LUMEN SUMMARY

ZONE	LUMENS	%LAMP	%FIXT
0- 20	2556	20.3	28.9
0- 40	4224	33.5	47.8
0- 60	7038	55.9	79.7
0- 90	8361	66.4	94.6
90-120	302	2.4	3.4
90-150	366	2.9	4.1
90-180	448	3.5	5.0
90-180	473	3.8	5.4
0-180	8834	70.1	100.0

TOTAL LUMINAIRE EFFICIENCY = 70.1 %
TOTAL REFLECTANCE OF PAINT = 92.9 %
CIE TYPE - DIRECT
PLANE : 0-DEG 90-DEG
SPACING CRITERIA : 1.3 1.3
SHIELDING ANGLES : 90 90

Checked: [Signature] Approved: [Signature]

coefficients of utilization — zonal cavity method

	20			50			100			
	RF	RC	RW	RF	RC	RW	RF	RC	RW	
room cavity ratio	1	2	3	4	5	6	7	8	9	10
1	76	73	71	68	66	64	64	63	61	
2	70	65	81	60	57	55	58	55	53	
3	65	58	53	54	50	47	52	49	46	
4	60	52	47	49	44	41	47	43	40	
5	55	47	41	44	39	35	42	38	35	
6	51	42	36	39	35	31	38	34	30	
7	47	38	32	36	31	27	34	30	27	
8	43	34	28	32	27	24	31	26	23	
9	40	31	25	29	24	21	28	23	20	
10	37	28	22	26	21	18	25	21	18	

visual comfort probability (VCP) average 100 fc; reflectances 80/50/20

room size	ceiling height	8.5				10.0				13.0				16.0			
		W	L	8.5	10.0	13.0	16.0	8.5	10.0	13.0	16.0	8.5	10.0	13.0	16.0		
20	20	20	20	53	58	64	71	54	59	65	71	54	59	65	71		
20	30	30	40	47	50	55	61	47	51	57	62	47	51	57	62		
20	40	40	60	43	46	49	54	44	47	51	56	44	47	51	56		
20	60	60	80	40	42	45	48	41	44	46	50	41	44	46	50		
30	20	30	40	55	59	64	69	55	60	64	69	55	60	64	69		
30	30	30	40	48	51	54	59	48	51	55	60	48	51	55	60		
30	40	40	60	44	46	49	52	44	46	50	53	44	46	50	53		
30	60	60	80	40	42	43	46	41	43	45	48	41	43	45	48		
30	80	80	100	39	41	41	43	39	41	42	45	39	41	42	45		
40	20	40	60	57	61	65	69	57	61	65	69	57	61	65	69		
40	30	40	60	49	52	55	59	50	53	56	60	50	53	56	60		
40	40	40	60	45	47	49	52	46	48	50	53	46	48	50	53		
40	60	60	80	42	43	44	46	42	44	45	47	42	44	45	47		
40	80	80	100	40	41	41	43	40	42	42	44	40	42	42	44		
40	100	100	120	39	40	39	41	39	41	40	42	39	41	40	42		
60	30	60	90	51	54	55	60	51	54	57	60	51	54	57	60		
60	40	47	48	47	48	50	52	47	49	50	53	47	49	50	53		
60	60	60	80	43	44	44	47	43	44	45	47	43	44	45	47		
60	80	80	100	41	42	41	43	41	42	42	44	41	42	42	44		
60	100	100	120	40	40	39	41	39	41	40	42	39	41	40	42		
100	40	100	140	50	52	52	55	51	52	53	56	51	52	53	56		
100	60	60	80	46	47	47	49	46	47	47	50	46	47	47	50		
100	80	80	100	44	44	43	45	43	45	44	46	43	45	44	46		
100	100	100	120	42	42	41	43	42	43	42	44	42	43	42	44		

Ordering Information Explanation of Catalog Number. Example: WB4B43212004GLR

WB	4	B					
DOMINAIRE II: Surface Wrap Fluorescent With White Body	FIXTURE LENGTH: 4=4' Length	FIXTURE WIDTH: B=14" Wide	LAMP QUANTITY: 2 or 4 Lamps	LAMP: 32=T8 Lamp 34=T12 Lamp	VOLTAGE: 120 or 277	BALLAST TYPE: 1&2 Lamp Mag. T12 1&2 Lamp Elec. T8 1-4 Lamp Elec. T8 LOL T8 Dimming *Instant Start Standard	OPTIONS: Add appropriate suffix to catalog no., ie: (GLR)

Options/Accessories

CANOPY SPACER: Spacer suspends fixture approximately 1 1/2" from surface.
Order Catalog Number: **AC1 CSP**.

STEM AND CANOPY SETS: Suspends fixture 6", 12", 18" or 24" from surface.
Order Catalog Number: **ASC6 CSP (6")**, **ASC12 CSP (12")**, **ASC18 CSP (18")**,
ASC24 CSP (24").

When stem mounting two or four lamp fixtures in continuous rows, units must be coupled with nuts and bolts (by others) at end of fixture. Stem and canopy sets not recommended for three lamp fixtures. Other lengths are available. Consult factory.

ELECTRICAL/WIRING OPTIONS: Consult factory.

FUSING: Internal fast-blow fusing. SUFFIX: **GLR**.
Internal slow-blow fusing. SUFFIX: **GMF**.

Specifications

PERFORMANCE: In an installation of 4 lamp 32W luminaires in a room cavity ratio of 1, with reflectance of 80% ceiling, 50% wall, 20% floor, the C.U. shall not be less than .73. To reduce glare the VCP shall be not less than 43 either lengthwise or crosswise (at 100fc level) and the average brightness at 65° shall not exceed 979 footlamberts. To prevent veiling reflections, luminaire output in the 30°-90° zone shall not be less than 65.7%.

Specifications (continued)

MATERIALS: Chassis parts are die-formed code gauge cold rolled steel.
FINISH: Chassis exterior—white baked polyester enamel. Cavity— white baked polyester enamel minimum 86% reflectance. Phosphate undercoating.
LENS: One-piece extruded virgin acrylic prismatic bottom and side walls.
END CAPS: Injection molded catadioptric end caps separate from lens.
ELECTRICAL: Thermally protected class "P" ballast C.B.M. approved, non PCB. If K.O. is within 3" of ballast, use wire suitable for at least 90°.
LABELS: I.B.E.W. UL and ULc Listed.

Job Information Type:

Lightolier a Genlyte Thomas Company www.lightolier.com
Technical Information: (978) 657-7600 • Fax (978) 658-0595
631 Airport Road, Fall River, MA 02720 • (508) 679-8131 • Fax (508) 674-4710
We reserve the right to change details of design, materials and finish.
© 2002 Genlyte Thomas Group LLC (Lightolier Division)
A0902 **Section 3A/Folio H90-13 Rev. B**

LIGHTOLIER

Free Manuals Download Website

<http://myh66.com>

<http://usermanuals.us>

<http://www.somanuals.com>

<http://www.4manuals.cc>

<http://www.manual-lib.com>

<http://www.404manual.com>

<http://www.luxmanual.com>

<http://aubethermostatmanual.com>

Golf course search by state

<http://golfingnear.com>

Email search by domain

<http://emailbydomain.com>

Auto manuals search

<http://auto.somanuals.com>

TV manuals search

<http://tv.somanuals.com>