

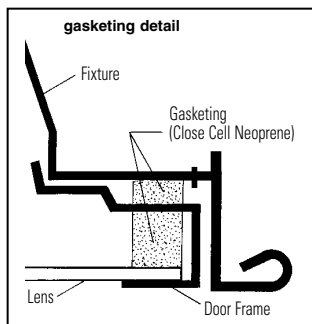
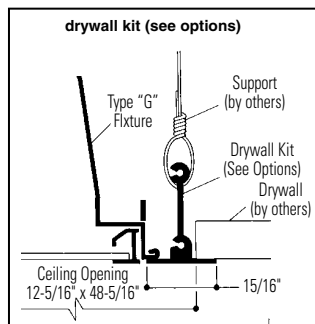
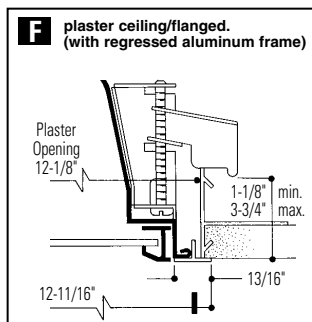
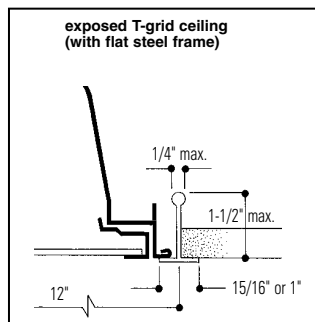
# CLEANGUARD WET LOCATION WES SERIES 1X4

## Features

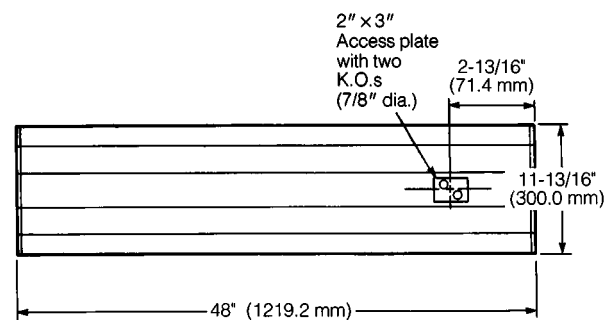
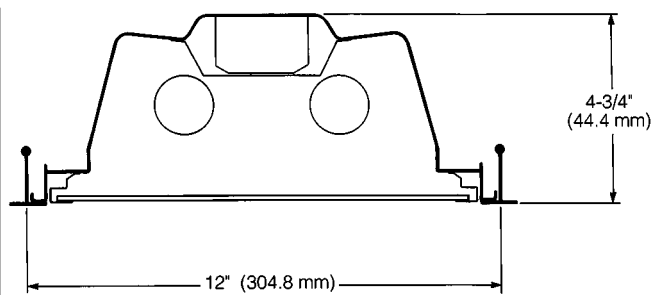
- UL and C-UL Listed for wet or damp locations for covered ceiling use.
- Full perimeter gasketing (closed cell Neoprene) between door frame and lens, between housing and door frame.
- Door frame is post painted, baked acrylic enamel.
- 4-3/4" deep body.
- 64.6% efficient (T8).
- Turned up edges for safe handling.
- Fixture ends turned-in for safe handling.
- Mitered corner steel lens frame.
- Spring loaded rooster head latches.
- 18 gauge steel hinges.
- Flat and regressed aluminum doors available.



## MOUNTING METHODS



## DIMENSIONS



## Job Information

## Type:

**Job Name:**

**Cat. No.:**

**Lamp(s):**

**Volts/Ballast:**

Lightolier a Genlyte Thomas Company

www.lightolier.com

Technical Information: (978) 657-7600 • Fax (978) 658-0595

631 Airport Road, Fall River, MA 02720 • (508) 679-8131 • Fax (508) 674-4710

We reserve the right to change details of design, materials and finish.

© 2002 Genlyte Thomas Group LLC (Lightolier Division)

A0902

SECTION 6/Folio N30-10



# CLEANGUARD WET LOCATION WES SERIES 1X4

## PHOTOMETRY

MODEL NO. WES1GFSVA232

LER = FL - 48.3 IW - 80.0 BF - 0.95

Comparative yearly lighting energy cost per 1000 lumens = \$5.00

**ifl boulder**  
THE LIGHT CENTER OF THE INDUSTRY  
 INDEPENDENT TESTING LABORATORIES, INC. • 3386 LONGHORN ROAD, BOULDER, COLORADO 80502 • PHONE (303) 442-1255  
 REPORT NUMBER: 31385 DATE: 10-25-85

PREPARED FOR: LIGHTOLIER  
 CATALOG NUMBER: WES1GFSVA232120S0G  
 LUMINAIRE: METAL TROFFER, SYNTHETIC ENAMEL REFLECTOR, CLEAR  
 PRISMATIC PLASTIC FLAT DOOR FRAME ASSEMBLY.  
 BALLAST: ADVANCE CAT. NO. REL2P32-3C  
 LAMP(S): TWO F32T8, EACH RATED 3150 LUMENS, 2425 FL.  
 MOUNTING: RECESS  
 TOTAL INPUT WATTS = 80.0 AT 120.0 VOLTS  
 LUMEN TO CANDELA RATIO USED = 9.19  
 THE 0 DEGREE PLANE IS PARALLEL WITH THE LAMPS.

**CANDELA DISTRIBUTION**

| 0.0 | 22.5 | 45.0 | 67.5 | 90.0 | FLUX |
|-----|------|------|------|------|------|
| 0   | 1709 | 1709 | 1709 | 1709 | 163  |
| 5   | 1717 | 1709 | 1704 | 1703 | 1700 |
| 15  | 1664 | 1669 | 1673 | 1683 | 1686 |
| 25  | 1546 | 1555 | 1589 | 1616 | 1624 |
| 35  | 1354 | 1375 | 1424 | 1442 | 1446 |
| 45  | 1037 | 999  | 1018 | 1024 | 997  |
| 55  | 585  | 550  | 545  | 528  | 460  |
| 65  | 295  | 302  | 298  | 287  | 293  |
| 75  | 199  | 177  | 185  | 192  | 178  |
| 85  | 54   | 68   | 72   | 61   | 72   |
| 90  | 0    | 0    | 0    | 0    | 0    |

**ZONAL LUMEN SUMMARY**

| ZONE   | LUMENS | %LAMP | %FIXT |
|--------|--------|-------|-------|
| 0-30   | 1367   | 21.77 | 33.6  |
| 0-40   | 2245   | 35.6  | 55.2  |
| 0-60   | 3506   | 55.7  | 86.2  |
| 0-90   | 4069   | 64.6  | 100.0 |
| 90-180 | 0      | 0.0   | 0.0   |
| 0-190  | 4069   | 64.6  | 100.0 |

TOTAL LUMINAIRE EFFICIENCY = 64.6 %  
 TOTAL REFLECTANCE OF PAINT = 89.0 %  
 CIE TYPE - DIRECT PLANE  
 SPACING CRITERIA: 1 0-DEG 90-DEG  
 SHIELDING ANGLES: 1 90 90  
 LUMINOUS LENGTH: 146.000 10.000

**LUMINANCE DATA IN FOOTLAMBERTS**

| ANGLE  | AVERAGE | AVERAGE | MAXIMUM | MAXIMUM | MAX/AVG | MAX/AVG |
|--------|---------|---------|---------|---------|---------|---------|
| IN DEG | 0-DEG   | 90-DEG  | 0-DEG   | 90-DEG  | 0-DEG   | 90-DEG  |
| 0      | 1681.   | 1681.   | 2805.   | 2805.   | 1.7     | 1.7     |
| 45     | 1414.   | 1387.   | 1846.   | 2442.   | 1.3     | 1.8     |
| 55     | 1003.   | 785.    | 1310.   | 1254.   | 1.3     | 1.6     |
| 65     | 686.    | 482.    | 845.    | 947.    | 1.2     | 1.4     |
| 75     | 756.    | 476.    | 994.    | 836.    | 1.3     | 1.2     |
| 85     | 609.    | 812.    | 697.    | 812.    | 1.1     | 1.0     |

Checked: [Signature]  
 Approved: [Signature]

THIS REPORT IS BASED ON PUBLISHED INDUSTRY PROCEDURES. FIELD PERFORMANCE MAY DIFFER FROM LABORATORY PERFORMANCE.

### coefficients of utilization — zonal cavity method

|    | 20 |    |    | 20 |    |    | 20 |    |    |
|----|----|----|----|----|----|----|----|----|----|
|    | RF | RC | RW | RF | RC | RW | RF | RC | RW |
| 1  | 71 | 68 | 66 | 64 | 62 | 61 | 61 | 60 | 59 |
| 2  | 65 | 61 | 57 | 57 | 55 | 52 | 55 | 53 | 51 |
| 3  | 60 | 55 | 50 | 52 | 48 | 45 | 50 | 47 | 45 |
| 4  | 56 | 49 | 44 | 47 | 43 | 40 | 45 | 42 | 39 |
| 5  | 51 | 44 | 39 | 42 | 38 | 35 | 41 | 37 | 34 |
| 6  | 48 | 40 | 35 | 38 | 34 | 31 | 37 | 33 | 30 |
| 7  | 44 | 36 | 31 | 35 | 30 | 27 | 34 | 30 | 27 |
| 8  | 41 | 32 | 27 | 31 | 27 | 24 | 30 | 26 | 23 |
| 9  | 37 | 29 | 24 | 28 | 24 | 21 | 27 | 23 | 20 |
| 10 | 35 | 27 | 22 | 26 | 21 | 18 | 25 | 21 | 18 |

### visual comfort probability (VCP) average 100 fc; reflectances 80/50/20

| room size |     | ceiling height |      |      |      | ceiling height |      |      |      |
|-----------|-----|----------------|------|------|------|----------------|------|------|------|
| W         | L   | 8.5            | 10.0 | 13.0 | 16.0 | 8.5            | 10.0 | 13.0 | 16.0 |
| 20        | 20  | 60             | 64   | 70   | 77   | 61             | 65   | 70   | 76   |
| 20        | 30  | 51             | 56   | 61   | 67   | 54             | 57   | 62   | 68   |
| 20        | 40  | 47             | 50   | 55   | 60   | 51             | 53   | 57   | 61   |
| 20        | 60  | 43             | 46   | 59   | 54   | 49             | 50   | 52   | 56   |
| 30        | 20  | 62             | 66   | 70   | 75   | 63             | 67   | 70   | 75   |
| 30        | 30  | 53             | 57   | 61   | 65   | 55             | 58   | 62   | 66   |
| 30        | 40  | 48             | 51   | 54   | 58   | 51             | 53   | 56   | 60   |
| 30        | 60  | 44             | 46   | 48   | 52   | 49             | 50   | 51   | 54   |
| 30        | 80  | 42             | 44   | 44   | 48   | 48             | 49   | 49   | 51   |
| 40        | 20  | 64             | 68   | 72   | 75   | 64             | 68   | 72   | 75   |
| 40        | 30  | 55             | 59   | 63   | 66   | 57             | 60   | 63   | 66   |
| 40        | 40  | 49             | 52   | 55   | 59   | 53             | 54   | 57   | 60   |
| 40        | 60  | 45             | 47   | 49   | 52   | 50             | 51   | 51   | 54   |
| 40        | 80  | 43             | 45   | 45   | 48   | 49             | 50   | 49   | 50   |
| 40        | 100 | 42             | 43   | 43   | 45   | 50             | 49   | 48   | 49   |
| 60        | 30  | 57             | 60   | 64   | 67   | 58             | 61   | 64   | 67   |
| 60        | 40  | 51             | 53   | 56   | 60   | 54             | 55   | 57   | 60   |
| 60        | 60  | 46             | 48   | 49   | 52   | 50             | 51   | 51   | 54   |
| 60        | 80  | 44             | 45   | 45   | 48   | 49             | 50   | 49   | 50   |
| 60        | 100 | 43             | 43   | 42   | 45   | 50             | 49   | 47   | 48   |
| 100       | 40  | 55             | 57   | 59   | 62   | 57             | 58   | 59   | 63   |
| 100       | 60  | 50             | 51   | 52   | 55   | 53             | 54   | 53   | 56   |
| 100       | 80  | 47             | 48   | 47   | 50   | 52             | 52   | 50   | 52   |
| 100       | 100 | 46             | 46   | 44   | 46   | 52             | 51   | 49   | 49   |

## ORDERING INFORMATION

Explanation of Catalog Number. Example: WES1GFSVA232120S0GLR

|                                |               |                      |   |   |                                       |  |  |                               |   |  |
|--------------------------------|---------------|----------------------|---|---|---------------------------------------|--|--|-------------------------------|---|--|
| <b>WE</b>                      | <b>S</b>      | <b>1</b>             |   |   |                                       |  |  |                               |   |  |
| <b>CLEANGUARD WET LOCATION</b> | <b>STATIC</b> | <b>FIXTURE WIDTH</b> | <b>CEILING TYPE:</b><br>G= Grid (lay-in T bar)<br>F=Flanged (overlap)<br>Z spline and plaster frame | <b>LENS FRAME:</b><br>FS= Flat steel frame<br>FA=Flat aluminum frame<br>RA=Regressed aluminum frame | <b>LAMP QUANTITY:</b><br>1 or 2 Lamps | <b>LENS/SHIELDING TYPE:</b><br>VA=Virgin acrylic (standard), see options and consult factory | <b>LAMP/FIXTURE LENGTH:</b><br>32=T8<br>34=T12 (Nominal 48") | <b>VOLTAGE:</b><br>120 or 277 | <b>BALLAST TYPE:</b><br>2 Lamp Mag. T12<br>2 Lamp Elec. T8<br>LOL T8 Dimming<br>*Instant Start Standard | <b>OPTIONS:</b><br>Add appropriate suffix to catalog no., ie: (GLR)<br>LE <20THD<br>SO* <10THD<br>PS HI* - |

Other dimming options. Consult factory.

## OPTIONS & ACCESSORIES

- SPECIAL LENSES:** Substitute **VI** for **VA** (standard). 125" nominal pattern 12 with 6.8 oz. average weight per square foot.
- ACCESS PLATE:** Top wiring access plate is shipped with fixture as standard. When access plates are required in advance for wiring convenience, specify separately. Order Catalog Number: **ACP CSP**.
- CONTINUOUS ROW INSTALLATION:** For F type fixtures, half-width flanges are required between fixtures. Order Catalog Number: **1FC TRIM** (each joint).
- PLASTER FRAMES:** F type fixtures do not include plaster frames. For individual or continuous mounting, specify **PF14** universal frame per fixture.
- ELECTRICAL/WIRING OPTIONS:** Consult factory.
- SEISMIC HOLD-DOWN CLIP:** For type G troffers. SUFFIX: **2HD**.
- FUSING:** Internal fast-blow fusing. SUFFIX: **GLR**.  
Internal slow-blow fusing. SUFFIX: **GMF**.
- RADIO INTERFERENCE FILTER** 120 or 277 volt, 50 or 60 Hz. One per fixture is standard. SUFFIX: **RF**.
- DRYWALL KIT:** Order Catalog Number: **FK91X4**. Request Folio OA30-10.
- CHICAGO PLENUM:** SUFFIX: **CP**.

## SPECIFICATIONS

**PERFORMANCE:** In an installation of 2 lamp 32W luminaires in a room cavity ratio of 1, with reflectance of 80% ceiling, 50% wall, 20% floor, the C.U. shall not be less than .68. To prevent glare the VCP shall not be less than 46 either length-

wise or crosswise (at 100fc level) and the average brightness at 65° shall not exceed 682 footlamberts. To control veiling reflections, luminaire output in the 30°-90° zone shall not be less than 66.4%.

**MATERIALS:** Chassis parts are die-formed code gauge cold rolled steel.

**Housing** is contoured for rigidity with all edges turned up for safe handling. **Lens frame**—(FS) flat full-size steel frame, (FA) flat full-size extruded aluminum frame, (RA) regressed full-size extruded aluminum frame.

**FINISH:** Chassis exterior—black baked polyester enamel. **Cavity**—white baked polyester enamel minimum 86% reflectance. Phosphate undercoating.

**LENSES:** VA (standard) extruded virgin acrylic, 3/16" square based female cones, running 45° to the panel edge, .095" nominal thickness (similar to pattern 12).

**ELECTRICAL:** Thermally protected class "P" ballast C.B.M. approved, non PCB. If K.O. is within 3" of ballast, use wire suitable for at least 90°.

**LABELS:** I.B.E.W./UL and C-UL.

|  |                    |
|--|--------------------|
| <b>Job Information</b>   | <b>Type:</b>       |
| Lightolier a Genlyte Thomas Company<br>Technical Information: (978) 657-7600 • Fax (978) 658-0595<br>631 Airport Road, Fall River, MA 02720 • (508) 679-8131 • Fax (508) 674-4710<br>We reserve the right to change details of design, materials and finish.<br>© 2002 Genlyte Thomas Group LLC (Lightolier Division)<br>A0902 | www.lightolier.com |



## Free Manuals Download Website

<http://myh66.com>

<http://usermanuals.us>

<http://www.somanuals.com>

<http://www.4manuals.cc>

<http://www.manual-lib.com>

<http://www.404manual.com>

<http://www.luxmanual.com>

<http://aubethermostatmanual.com>

Golf course search by state

<http://golfingnear.com>

Email search by domain

<http://emailbydomain.com>

Auto manuals search

<http://auto.somanuals.com>

TV manuals search

<http://tv.somanuals.com>