

CLEANGUARD WET LOCATION **WES SERIES 2X4**

Page 1 of 2

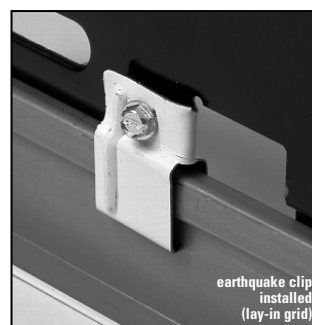
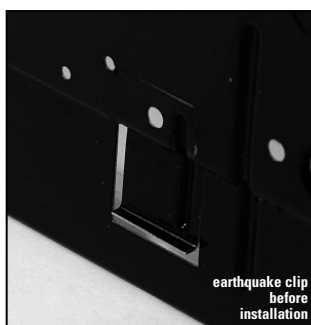
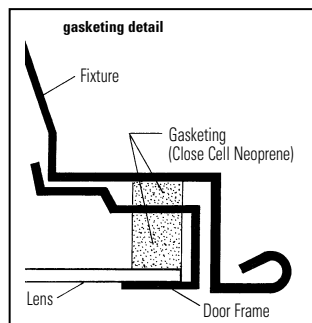
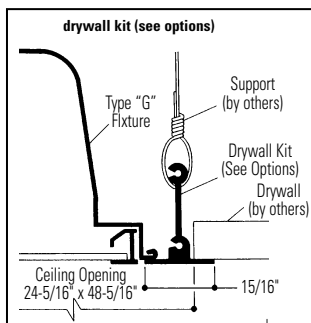
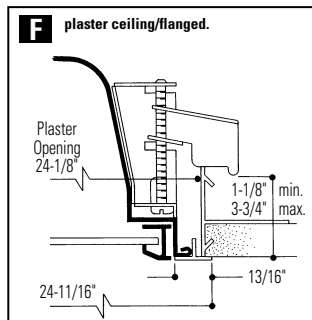
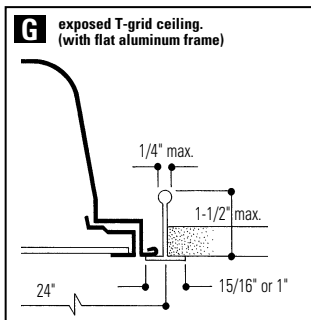
2' x 4' RECESSED FLUORESCENT, FOR WET LOCATIONS, COVERED CEILING USE
2, 3 OR 4 LAMP, T8 OR T12

Features

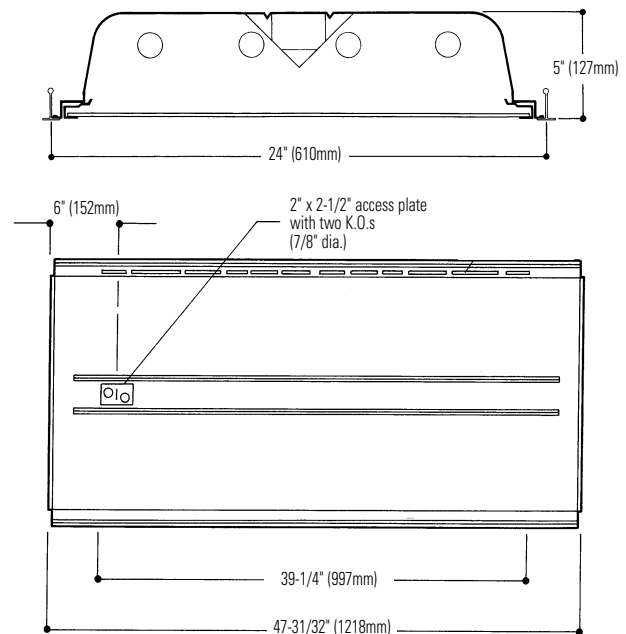
- UL and C-UL Listed for wet or damp locations for covered ceiling use.
- Full perimeter gasketing (closed cell Neoprene) between door frame and lens, between housing and door frame.
- Door frame is post painted, baked acrylic enamel.
- 5" deep body.
- 81.2% efficient (T8).
- Hemmed over side rails for maximum safety.
- Fixture ends turned-in for safe handling.
- Built-in earthquake clips (patent no. 5,072,344).
- Slimline door frame with 475 square inch lens opening.
- Mitered corner steel lens frame.
- Spring loaded rooster head latches.
- 18 gauge steel hinges.
- Flat and regressed aluminum doors available.



MOUNTING METHODS



DIMENSIONS



Job Information

Type:

Job Name:

Cat. No.:

Lamp(s):

Volts/Ballast:

Lightolier a Genlyte Thomas Company

www.lightolier.com

Technical Information: (978) 657-7600 • Fax (978) 658-0595

631 Airport Road, Fall River, MA 02720 • (508) 679-8131 • Fax (508) 674-4710

We reserve the right to change details of design, materials and finish.

© 2002 Genlyte Thomas Group LLC (Lightolier Division)

A0902

SECTION 6/Folio N30-12

LIGHTOLIER®



CLEANGUARD WET LOCATION WES SERIES 2X4

Page 2 of 2

2' x 4' RECESSED FLUORESCENT, FOR WET LOCATIONS, COVERED CEILING USE 2, 3 OR 4 LAMP, T8 OR T12

PHOTOMETRY

MODEL NO. WES2GFSVA432

LER = FL - 73.2 IW - 108.7 BF - 0.86
Comparative yearly lighting energy cost per 1000 lumens = \$3.28

ifl boulder
INDEPENDENT TESTING LABORATORIES, INC. • 3386 LONGHORN ROAD, BOULDER, CO 80302 USA • PHONE (303) 442-1255
FAX (303) 449-5274
REPORT NUMBER: ITL49786 DATE: 03/17/00
PREPARED FOR: LIGHTOLIER
CATALOG NUMBER: WES2GFSVA43212004
LUMINAIRE: FABRICATED METAL HOUSING WITH WHITE PAINTED INTERIOR FINISH,
FABRICATED WHITE PAINTED METAL BALLAST COVER, CLEAR FLAT
PRISMATIC PLASTIC LENS IN FABRICATED WHITE PAINTED METAL
DOOR FRAME.
LAMPS: FOUR 32-WATT T-8 F32T8/SP41 LINEAR FLUORESCENTS.
BALLAST: VALMONT ELECTRIC E432P120G11
MOUNTING: RECESSED
TOTAL REFLECTANCE OF PAINT= 92.5 %
THE 0 DEGREE PLANE IS PARALLEL WITH THE LAMPS.
TOTAL INPUT WATTS: 106.7 AT 120.0 VOLTS
LUMEN TO CANDELA RATIO USED= 9.19
REPORT IS BASED ON 2850 LUMENS PER LAMP.

CANDELA DISTRIBUTION

	0.0	22.5	45.0	67.5	90.0	FLUX
0	3690	3690	3690	3690	3690	350
5	3673	3678	3678	3679	3685	350
15	3546	3561	3580	3598	3612	1012
25	3270	3293	3353	3403	3430	1545
35	2814	2849	2948	3025	3056	1839
45	2192	2236	2316	2408	2457	1784
55	1410	1423	1515	1577	1613	1349
65	770	778	765	791	853	790
75	440	437	355	369	390	420
85	178	183	152	137	139	168
90	0	0	0	0	0	0

ZONAL LUMEN SUMMARY

ZONE	LUMENS	%LAMP	%FIXT
0- 30	2906	25.5	31.4
0- 40	4745	41.6	51.3
0- 60	7878	69.1	85.1
0- 90	9257	81.2	100.0
90-180	0	0.0	0.0
0-180	9257	81.2	100.0

TOTAL LUMINAIRE EFFICIENCY = 81.2 %

CIE TYPE - DIRECT
PLANE : 0-DEG 90-DEG
SPACING CRITERIA : 1.2 1.3
SHIELDING ANGLES : 90 90
PLANE : 0-DEG 90-DEG
LUMINOUS LENGTH : 46.000 21.875

LUMINANCE DATA IN CANDELA/SQ M
ANGLE AVERAGE AVERAGE AVERAGE
IN DEG 0-DEG 45-DEG 90-DEG
45 4773. 5043. 5351.
55 3785. 4130. 4349.
65 2806. 2787. 3108.
75 2618. 2112. 2320.
85 3145. 2086. 2456.

Checked M.B.
Approved R. Beattie

THIS REPORT IS BASED ON PUBLISHED INDUSTRY PROCEDURES. FIELD PERFORMANCE MAY DIFFER FROM LABORATORY PERFORMANCE.

coefficients of utilization — zonal cavity method (effective floor cavity reflectance 0.20)

	20			50			20		
	RF	RC	RW	RF	RC	RW	RF	RC	RW
1	89	85	82	80	78	76	77	75	73
2	82	75	70	71	67	64	68	65	62
3	75	67	61	63	58	54	61	57	53
4	69	60	53	57	51	47	55	50	46
5	64	54	47	51	45	41	50	44	41
6	59	49	42	46	41	36	45	40	36
7	55	44	37	42	36	32	41	36	32
8	51	40	34	39	33	29	38	33	29
9	48	37	31	36	30	26	35	30	26
10	45	34	28	33	28	24	32	27	24

visual comfort probability (rated lumens per lamp 3150.)

room size	ceiling height			ceiling height			
	W	L	ceiling height	W	L	ceiling height	
20	20	8.5	10.0	20	20	13.0	16.0
20	20	57	62	57	60	67	75
20	30	49	54	49	54	58	64
20	40	45	49	45	49	51	54
20	60	41	45	41	45	47	50
30	20	59	63	59	62	66	73
30	30	50	54	50	54	57	62
30	40	45	49	45	49	51	55
30	60	41	44	41	44	47	52
30	80	39	42	39	42	43	47
40	20	61	65	61	64	68	73
40	30	52	56	52	56	59	62
40	40	47	50	47	50	52	56
40	60	42	45	42	45	47	51
40	80	39	42	39	42	43	47
40	100	38	40	38	40	41	44
60	30	54	58	54	58	60	64
60	40	48	51	48	51	53	57
60	60	43	45	43	45	47	50
60	80	40	42	40	42	43	46
60	100	38	40	38	40	41	43
100	40	51	54	51	54	56	59
100	60	46	48	46	48	49	51
100	80	42	44	42	44	45	48
100	100	40	42	40	42	42	44

ORDERING INFORMATION

Explanation of Catalog Number. Example: WES2GFSVA43212004GLR

WE CLEANGUARD WET LOCATION	S STATIC	2 FIXTURE WIDTH	LENS FRAME: FS= Flat steel frame RA= Regressed aluminum frame FA= Flat aluminum frame	LAMP QUANTITY: 2=2 Lamp 3=3 Lamp 4=4 Lamp	LAMP/ FIXTURE LENGTH: 32=T8 34=T12 (Nominal 48")	VOLTAGE: 120 or 277	BALLAST TYPE: 1 & 2 Lamp Mag. T12 2-2 Lamp Mag. T12	OPTIONS: Add appropriate suffix to catalog no., ie: (GLR)
			CEILING TYPE: G= Grid (lay-in T bar) F= Flanged (overlap) Z spline and plaster frame	LENS/SHIELDING TYPE: VA (virgin acrylic) standard (see options and consult factory)			1 & 2 Lamp Elec. T8 2-2 Lamp Elec. T8 1-3 Lamp Elec. T8 1-4 Lamp Elec. T8 LOL T8 Dimming *Instant Start Standard	<20THD SO* HI* SO* HI* 03* H3* 04* H4* PS

Other dimming options. Consult factory.

OPTIONS & ACCESSORIES

SPECIAL LENSES: Substitute **VI** for **VA** (standard) .125" nominal pattern 12 with 6.8 oz. average weight per square foot.

PLASTER FRAME: Catalog number: **PF24**.

CONTINUOUS ROW INSTALLATION: For F type fixtures, half-width flanges are required between fixtures. Order Catalog Number: **S2FCTRIM** (each joint).

RADIO INTERFERENCE FILTER 120 or 277 volt, 50 or 60 Hz. One per fixture is standard. SUFFIX: **RF**.

FUSING: Internal fast-blow fusing. SUFFIX: **GLR**.

Internal slow-blow fusing. SUFFIX: **GMF**.

ELECTRICAL/WIRING OPTIONS: Consult factory.

DRYWALL KIT: Order Catalog Number: **FK92X4**. Request Folio OA30-10.

CHICAGO PLENUM: SUFFIX: **CP**.

SPECIFICATIONS

PERFORMANCE: In an installation of 4 lamp 32W luminaires in a room cavity ratio of 1, reflectance 80% ceiling, 50% wall, 20% floor, the C.U. shall not be less than .85. To prevent glare the VCP shall be not less than 43 either lengthwise or crosswise (at 100fc level) and the average brightness at 65° shall not exceed 3108 candelas per square meter. To control veiling reflections, luminaire output in the 30°-90° zone shall not be less than 68.6%.

Job Information

Type:

Lightolier a Genlyte Thomas Company www.lightolier.com
Technical Information: (978) 657-7600 • Fax (978) 658-0595
631 Airport Road, Fall River, MA 02720 • (508) 679-8131 • Fax (508) 674-4710
We reserve the right to change details of design, materials and finish.
© 2002 Genlyte Thomas Group LLC (Lightolier Division)
A0902 SECTION 6/Folio N30-12

LIGHTOLIER

Free Manuals Download Website

<http://myh66.com>

<http://usermanuals.us>

<http://www.somanuals.com>

<http://www.4manuals.cc>

<http://www.manual-lib.com>

<http://www.404manual.com>

<http://www.luxmanual.com>

<http://aubethermostatmanual.com>

Golf course search by state

<http://golfingnear.com>

Email search by domain

<http://emailbydomain.com>

Auto manuals search

<http://auto.somanuals.com>

TV manuals search

<http://tv.somanuals.com>