

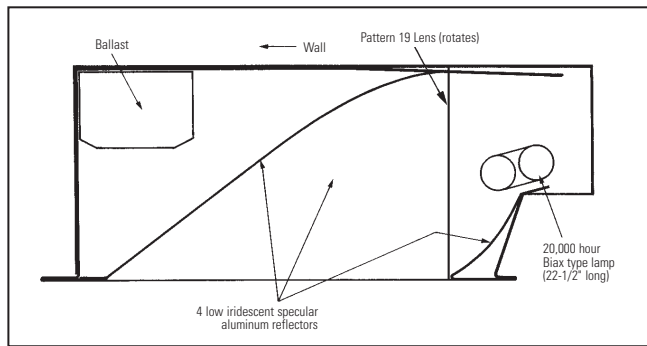
Features

- Low iridescent specular reflective system for precise controlled light output.
- Evenly lights vertical surfaces or displays.
- Pattern 19 virgin acrylic lens eliminates direct glare inside the cut-off zone (rotates for easy lamp replacement).
- 87% energy savings vs. incandescent.
- 3,150 lumen Biax type lamp requires fewer fixtures to provide the same wall illumination as a 150 watt incandescent wallwasher.
- 20,000 hours lamp life requires less maintenance than incandescent.
- Fits all lay-in grid ceiling systems.
- One-piece body and adjustable integral hanger for easy, quick installation.
- UL-Listed access plate.
- Meets NYC Code requirements.

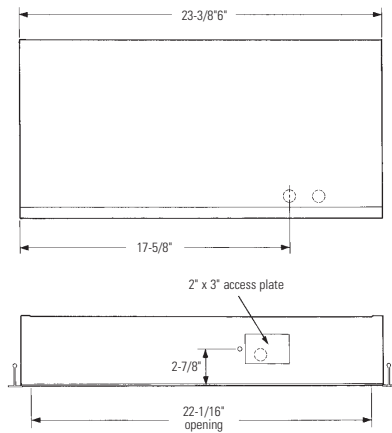


Pattern Number 5,146,393

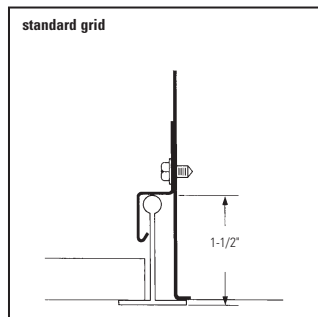
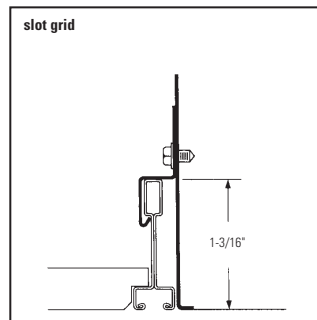
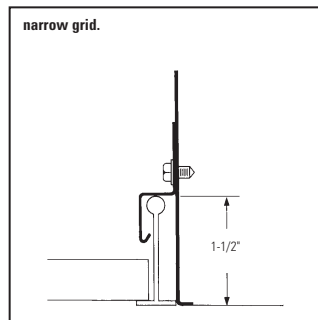
Features



Dimensions



Mounting Methods



Job Information	Type:
Job Name:	
Cat. No.:	
Lamp(s):	
Volts/Ballast:	

Lightolier a Genlyte Company www.lightolier.com
 Technical Information: (978) 657-7600 • Fax (978) 658-0595
 631 Airport Road, Fall River, MA 02720 • (508) 679-8131 • Fax (508) 674-4710
 We reserve the right to change details of design, materials and finish.
 © 2005 a Genlyte company **Section 5/Folio K10-11 Rev. A**



Wal-Lyter WLRK124120SB

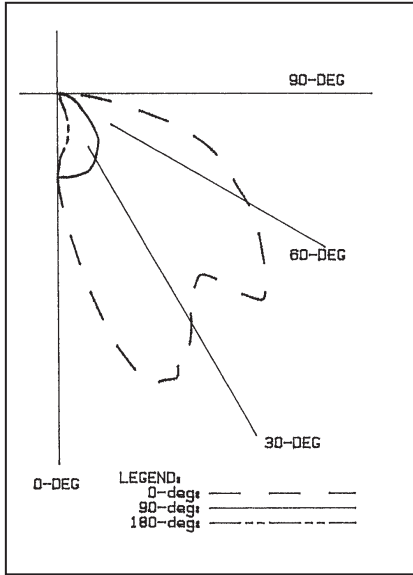
High Performance, 2', Lensed Recessed Wallwasher/Accent Light One Twin Tube T5 Lamp

Photometry

Model No. WLRK124120SB

LER = FP - 34.7 IW - 49 BF - 0.95

Comparative yearly lighting energy cost per 1000 lumens = \$6.92



coefficients of utilization — zonal cavity method

	20			20			20			
RF										
RC										
RW	70	50	30	50	30	10	50	30	10	
room cavity ratio	1	62	59	57	55	54	52	53	52	50
	2	56	52	48	48	45	43	47	44	42
	3	51	45	41	43	39	36	41	38	35
	4	47	40	35	38	34	30	36	33	30
	5	43	35	30	33	29	26	32	28	25
	6	39	31	26	30	25	22	29	25	22
	7	36	28	23	27	22	19	26	22	19
	8	33	25	20	24	19	16	23	19	16
	9	30	22	17	2	17	14	21	17	14
	10	28	20	15	19	15	12	19	15	12

FOOTCANDLES ON WALL Fixtures 3 feet from wall to outside trim on lamp side of fixture

Ceiling	INDIVIDUAL WAL-LYTER									MULTIPLE UNITS									CONTINUOUS ROW											
	0'	1'	2'	3'	4'	5'	6'	7'	8'	4'			6'			0'	1'	2'	3'	4'	5'	6'	7'	8'						
8'	73	56	28	13	7	5	4	4	3	93	78	64	78	93	81	65	38	26	38	65	81	151	156	157	156	157	156	157	156	157
7'	72	58	34	18	10	7	5	4	4	100	87	78	87	100	82	69	48	36	48	69	82	178	174	178	174	178	174	178	174	178
6'	48	40	28	17	11	7	5	5	4	78	69	66	69	78	58	52	43	34	43	52	58	144	138	144	138	144	138	144	138	144
5'	28	26	21	15	10	7	6	5	4	56	53	54	53	56	40	38	35	30	35	38	40	110	106	110	106	110	106	110	106	110
4'	19	19	16	12	9	7	6	5	4	45	43	44	43	45	31	31	29	24	29	31	31	89	86	89	86	89	86	89	86	89
3'	14	14	12	10	8	7	6	5	4	38	36	36	36	38	26	26	24	20	24	26	26	74	72	74	72	74	72	74	72	74
2'	11	11	10	9	7	6	6	5	4	33	31	32	31	33	23	22	21	18	21	22	23	65	62	65	62	65	62	65	62	65
1'	9	9	8	8	7	6	5	5	4	31	28	26	28	31	19	20	19	16	19	20	19	57	56	57	56	57	56	57	56	57
Floor																														

Ordering Information

Explanation of Catalog Number. Example: WLRK124120SBGLR

WL

Wal-Lyter:
Low iridescent specular wallwash

R

Recessed

K

Reflector:
K = Pattern 19 virgin acrylic lens

1

Lamps

2

Length:
2-24"

Watts:
1=18 Watts
2-24 Watts
4-40 Watts
5-50 Watts
6-55 Watts

Voltage:
120 or 277

Ballast Type:
<20THD
<10THD

Options:
Add appropriate suffix to catalog no, ie: (GLR)

Options/Accessories

Fusing: Internal fast-blow fusing. Suffix: **GLR**.

Internal slow-blow fusing. Suffix: **GMF**.

Radio Interference Filter: To order RIF per fixture, Suffix: **R**.

To order one RIF per ballast. Suffix: **B**.

Electrical/Wiring Options: Consult factory.

Fluorescent Emergency Lighting System: Factory-installed emergency power battery pack with charger and inverter. Suffix: **EM**.

Drywall Frame: Catalog Number: **WL2DF/UNV**.

Specifications

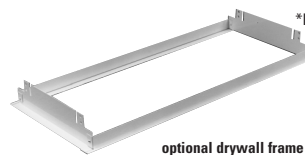
Materials: Chassis parts are die-formed 20 gauge cold rolled steel with integral adjustable hanger clamp. **Reflectors**—low iridescent specular aluminum are standard.

Finish: Chassis exterior—phosphate undercoating, baked white acrylic enamel. **Reflector**—low iridescent specular is standard.

Lens: Virgin acrylic .187 pattern 19 with square based male conical prisms (rotates for easy lamp replacement).

Electrical: Rapid start HPF, thermally protected class "P" ballast (Biax type). If K.O. is within 3" of ballast, use wire suitable for at least 90°.

Labels: I.B.E.W./UL and ULc Listed.



optional drywall frame WL2DF/UNV.

Job Information

Type:

Lightolier a Genlyte Company

www.lightolier.com

Technical Information: (978) 657-7600 • Fax (978) 658-0595

631 Airport Road, Fall River, MA 02720 • (508) 679-8131 • Fax (508) 674-4710

We reserve the right to change details of design, materials and finish.

© 2005 a Genlyte company

Section5/Folio K10-11 Rev. A

LIGHTOLIER®

Free Manuals Download Website

<http://myh66.com>

<http://usermanuals.us>

<http://www.somanuals.com>

<http://www.4manuals.cc>

<http://www.manual-lib.com>

<http://www.404manual.com>

<http://www.luxmanual.com>

<http://aubethermostatmanual.com>

Golf course search by state

<http://golfingnear.com>

Email search by domain

<http://emailbydomain.com>

Auto manuals search

<http://auto.somanuals.com>

TV manuals search

<http://tv.somanuals.com>