

# Wal-Lyter **WLRN124120SB**

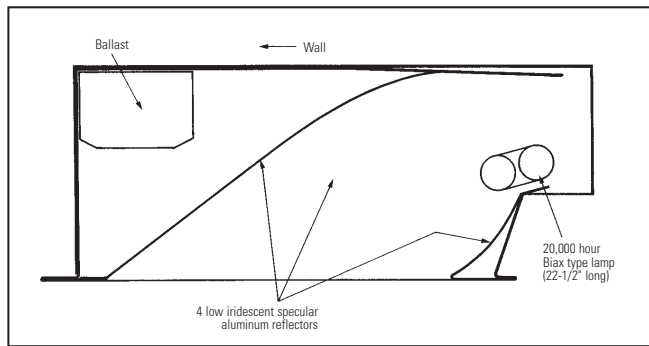
## Features

- Low iridescent specular reflective system for precise controlled light output.
- Evenly lights vertical surfaces or displays.
- 87% energy savings vs. incandescent.
- 3,150 lumen Biax type lamp requires fewer fixtures to provide the same wall illumination as a 150 watt incandescent wallwasher.
- 20,000 hours lamp life requires less maintenance than incandescent.
- Fits all lay-in grid ceiling systems.
- One-piece body and adjustable integral hanger for easy, quick installation.
- UL-Listed access plate.
- Meets NYC Code requirements.

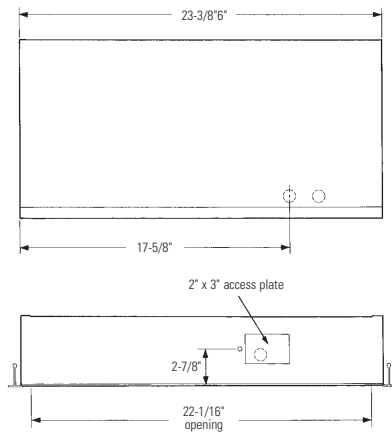


Pattern Number 5,146,393

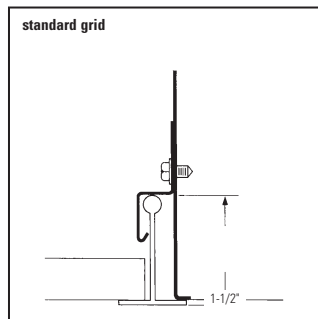
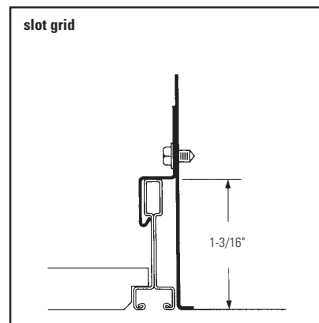
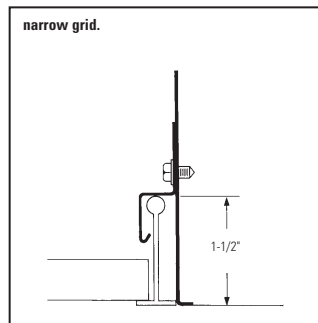
## Features



## Dimensions



## Mounting Methods



Job Information	Type:
<b>Job Name:</b>	
<b>Cat. No.:</b>	
<b>Lamp(s):</b>	
<b>Volts/Ballast:</b>	

**Lightolier** a Genlyte Company [www.lightolier.com](http://www.lightolier.com)  
 Technical Information: (978) 657-7600 • Fax (978) 658-0595  
 631 Airport Road, Fall River, MA 02720 • (508) 679-8131 • Fax (508) 674-4710  
 We reserve the right to change details of design, materials and finish.  
 © 2005 a Genlyte company **Section 5/Folio K10-10 Rev. A**



# Wal-Lyter WLRN124120SB

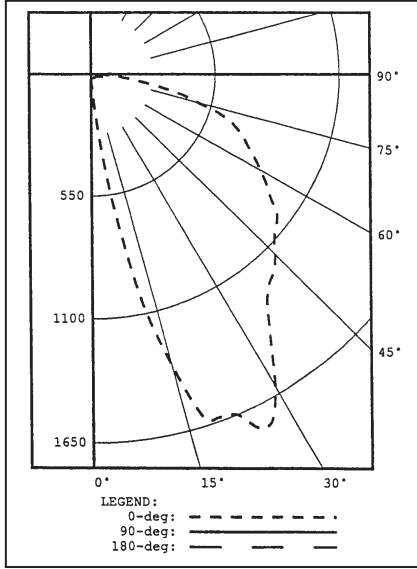
## High Performance, 2', Recessed Wallwasher/Accent Light One Twin Tube T5 Lamp

### Photometry

Model No. WLRN124120SB

LER = FP - 42.8 IW - 47 BF - 0.95

Comparative yearly lighting energy cost per 1000 lumens = \$5.61



#### coefficients of utilization — zonal cavity method

	20			50			100		
RF	20								
RC	80								
RW	70	50	30	50	30	10	50	30	10
1	74	71	68	66	64	62	64	62	60
2	67	61	57	58	54	51	55	52	49
3	61	54	48	51	46	42	49	45	41
4	56	47	41	49	39	35	43	38	35
5	51	41	35	39	34	29	38	33	29
6	46	37	30	35	29	25	33	29	25
7	42	32	26	31	25	21	30	25	21
8	39	29	23	27	22	18	26	22	18
9	35	26	19	24	19	15	24	19	15
10	33	23	17	22	17	13	21	16	13

### FOOTCANDLES ON WALL Fixtures 3 feet from wall to outside trim on lamp side of fixture

Ceiling	INDIVIDUAL WAL-LYTER									MULTIPLE UNITS									CONTINUOUS ROW											
	0'	1'	2'	3'	4'	5'	6'	7'	8'	← 4' →			← 6' →			0'	1'	2'	3'	4'	5'	6'	7'	8'						
8'	76	67	48	25	14	8	5	4	3	107	104	102	104	107	86	79	63	50	63	79	86	204	204	209	208	212	208	209	204	204
7'	64	68	48	29	17	10	7	5	4	102	104	106	104	102	78	75	67	58	67	75	78	201	203	208	208	212	208	208	203	201
6'	47	44	36	24	17	12	8	6	4	85	86	88	86	85	63	62	57	48	57	62	63	165	166	173	172	177	172	173	166	165
5'	33	34	29	24	14	10	8	6	5	66	74	74	74	66	49	50	48	48	48	50	49	132	142	140	148	145	148	140	142	132
4'	26	28	23	23	14	11	8	6	5	59	65	62	65	59	42	45	42	40	42	45	42	113	124	121	130	126	130	121	124	113
3'	19	21	29	17	12	9	8	6	5	48	53	56	53	48	35	36	37	34	37	36	35	96	100	104	106	109	106	104	100	96
2'	15	16	15	13	11	9	8	6	5	42	44	46	44	42	31	31	31	26	31	31	31	80	82	88	88	93	88	88	82	80
1'	13	12	11	11	10	8	7	6	5	38	37	36	37	38	27	26	26	22	26	26	27	67	68	74	74	79	74	74	68	67
Floor																														

### Ordering Information

Explanation of Catalog Number. Example: WLRN124120SBGLR

**WL**

**Wal-Lyter:**  
Low iridescent specular wallwash

**R**

**Recessed**

**N**

**Reflector:**  
N = Low iridescent specular aluminum standard

**1**

**Lamps**

**2**

**Length:**  
2=24"

**Watts:**  
1=18 Watts  
2=24 Watts  
4=40 Watts  
5=50 Watts  
6=55 Watts

**Voltage:**  
120 or 277

**Ballast Type:**

Options:  
Add appropriate suffix to catalog no, ie: (GLR)

### Options/Accessories

**Fusing:** Internal fast-blow fusing. Suffix: **GLR**.

Internal slow-blow fusing. Suffix: **GMF**.

**Lens:** .187, pattern 19 lens. Catalog Number: **WLRKIT CSP** (to be field installed).

**Radio Interference Filter:** To order one RIF per fixture, Suffix: **R**.

To order one RIF per ballast, Suffix: **B**.

**Electrical/Wiring Options:** Consult factory.

**Fluorescent Emergency Lighting System:** Factory-installed emergency power battery pack with charger and inverter. Suffix: **EM**.

**Drywall Frame:** Catalog Number: **WL2DF/UNV**.

### Specifications

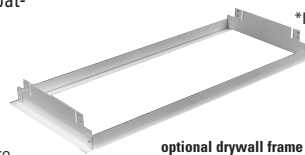
**Materials:** Chassis parts are die-formed 20 gauge cold rolled steel with integral adjustable hanger clamp. **Reflectors**—low iridescent specular aluminum are standard.

**Finish:** Chassis exterior—phosphate undercoating, baked white acrylic enamel. **Reflector**—low iridescent specular IS standard.

**Lens:** Virgin acrylic .187 pattern 19 with square based male conical prisms (rotates for easy lamp replacement).

**Electrical:** Rapid start HPF, thermally protected class "P" ballast (Biax type). If K.O. is within 3" of ballast, use wire suitable for at least 90°.

**Labels:** I.B.E.W./UL and ULc Listed.



optional drywall frame WL2DF/UNV.

### Job Information

### Type:

Lightolier a Genlyte Company

www.lightolier.com

Technical Information: (978) 657-7600 • Fax (978) 658-0595

631 Airport Road, Fall River, MA 02720 • (508) 679-8131 • Fax (508) 674-4710

We reserve the right to change details of design, materials and finish.

© 2005 a Genlyte company

Section5/Folio K10-10 Rev. A

LIGHTOLIER®

## Free Manuals Download Website

<http://myh66.com>

<http://usermanuals.us>

<http://www.somanuals.com>

<http://www.4manuals.cc>

<http://www.manual-lib.com>

<http://www.404manual.com>

<http://www.luxmanual.com>

<http://aubethermostatmanual.com>

Golf course search by state

<http://golfingnear.com>

Email search by domain

<http://emailbydomain.com>

Auto manuals search

<http://auto.somanuals.com>

TV manuals search

<http://tv.somanuals.com>