

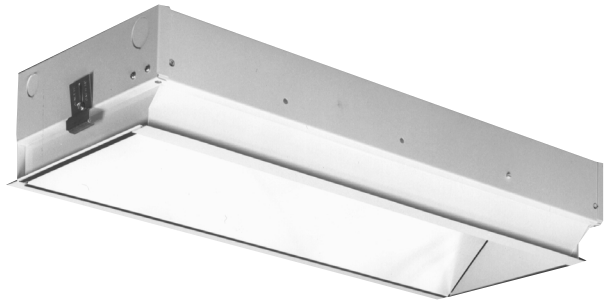
# Wal-Master WMRL124120SB

Page 1 of 2

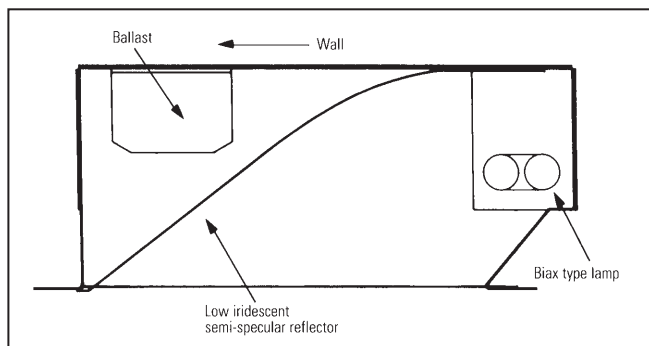
High Performance, 2', Recessed Wallwasher/Accent Light  
One Twin-Tube T5 Lamp

## Features

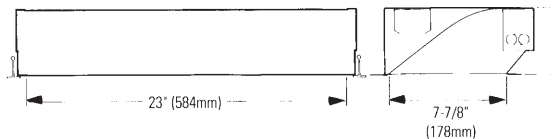
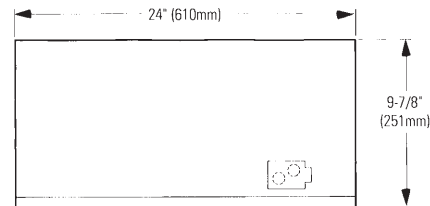
- Low iridescent semi-specular reflective system for precise controlled light output.
- Evenly lights vertical surfaces or displays (no scallops).
- 87% energy savings vs. incandescent.
- 3,150 lumen Biax type (T5) lamp requires fewer fixtures to provide the same wall illumination as a 150 watt incandescent wallwasher.
- 20,000 hours lamp life requires less maintenance than incandescent.
- Can be installed only 2 feet from wall to farthest edge of fixture.
- No edges protrude below grid ceiling systems.
- Fits all standard and narrow grid ceiling systems.
- One-piece body and integral hanger for easy, quick installation.
- UL-Listed access plate.
- Meets NYC Code requirements.



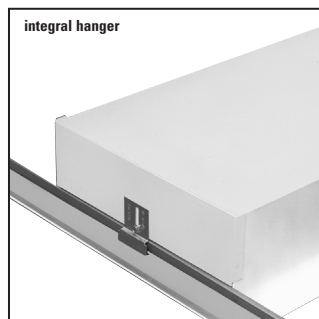
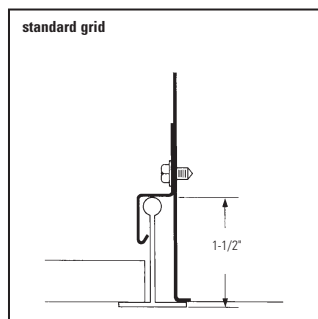
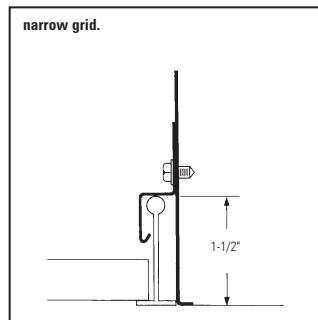
## Features



## Dimensions



## Mounting Methods



Job Information	Type:
Job Name:	
Cat. No.:	
Lamp(s):	
Volts/Ballast:	

Lightolier a Genlyte Company [www.lightolier.com](http://www.lightolier.com)  
Technical Information: (978) 657-7600 • Fax (978) 658-0595  
631 Airport Road, Fall River, MA 02720 • (508) 679-8131 • Fax (508) 674-4710  
We reserve the right to change details of design, materials and finish.  
© 2005 a Genlyte company **Section 5/Folio K10-15 Rev. A**



# Walmaster WMRL124120SB

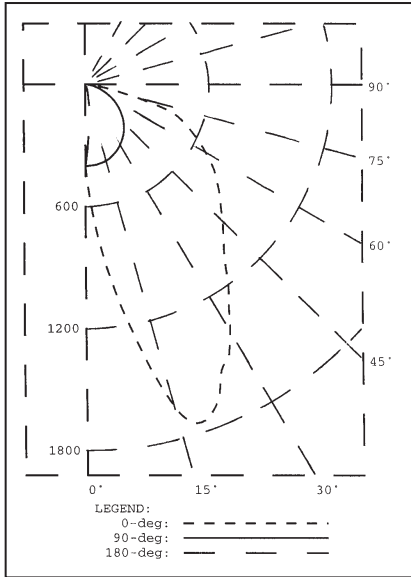
## High Performance, 2', Recessed Wallwasher/Accent Light One Twin Tube T5 Lamp

### Photometry

Model No. WMRL124120SB

LER = FP - 43.0 IW - 45.1 BF - 0.95

Comparative yearly lighting energy cost per 1000 lumens = \$5..58



#### coefficients of utilization — zonal cavity method

	20			20			20			
	80			50			30			
	RW	70	50	30	50	30	10	50	30	10
1	70	67	65	63	61	59	61	59	57	
2	64	59	54	55	52	49	53	50	48	
3	58	51	46	48	44	41	47	43	40	
4	53	45	40	43	38	35	41	37	34	
5	49	41	35	38	34	30	37	33	29	
6	45	36	31	35	30	26	34	29	26	
7	42	33	27	31	27	23	30	26	23	
8	39	30	24	29	24	20	28	23	20	
9	36	27	22	26	22	18	26	21	18	
10	34	25	20	24	20	17	24	19	16	

### FOOTCANDLES ON WALL Fixtures 3 feet from wall to outside trim on lamp side of fixture

Ceiling	INDIVIDUAL WAL-LYTER							MULTIPLE UNITS						CONTINUOUS ROW															
	0'	1'	2'	3'	4'	5'	6'	7'	← 4' →		← 6' →		0'	1'	2'	3'	4'	5'	6'	7'	8'								
8'	52	41	24	13	8	6	5	4	71	64	56	64	71	61	51	35	29	35	51	61	119	122	123	124	124	124	123	122	119
7'	56	48	32	19	12	8	6	5	83	79	74	79	83	66	60	47	41	47	60	66	144	149	152	153	153	153	152	149	144
6'	43	39	29	19	13	9	7	5	72	70	69	70	72	54	51	45	41	45	51	54	125	131	134	136	136	136	134	131	125
5'	32	30	24	18	13	9	7	6	60	60	60	60	60	44	42	40	38	40	42	44	105	109	113	114	115	114	113	109	105
4'	24	23	20	15	12	9	7	6	50	50	50	50	50	35	34	35	33	34	34	35	86	91	94	95	96	95	94	91	86
3'	19	18	16	11	11	9	7	6	41	41	41	41	41	28	28	28	28	28	28	28	71	74	77	78	78	78	77	74	71
2'	15	14	13	11	9	8	7	6	34	34	34	34	34	24	24	24	24	24	24	24	58	61	63	64	65	64	63	61	58
1'	12	12	11	10	8	7	7	6	28	28	28	28	28	20	20	20	20	20	20	20	47	50	51	52	52	52	51	50	47
Floor																													

### Ordering Information

Explanation of Catalog Number. Example: WMRL124120SBGLR

**WM**

**Wal-Master:**  
Low iridescent  
semi-specular  
wallwash

**R**

**Recessed**

**L**

**Reflector:**  
L = Low iridescent  
semi-specular  
aluminum

**1**

**Lamp**

**2**

**Length:**  
2=24"

**Watts:**  
1=18 Watts  
2=24 Watts  
4=40 Watts  
5=50 Watts  
6=55 Watts

**Voltage:**  
120 or 277

**Ballast Type:**

120 or 277

**Options:**  
Add appropriate  
suffix to catalog  
no, ie: (GLR)

<20THD <10THD

1 Lamp Magnetic (TT5) (40 Watt)	<b>BX*</b>	-
1 Lamp Electronic (TT5) (18 Watt)	<b>BA</b>	-
1 Lamp Electronic (TT5) (24 Watt)	<b>BB</b>	-
1 Lamp Electronic (TT5) (40 Watt)	<b>SB*</b>	<b>IB*</b>
1 Lamp Electronic (TT5) (50 Watt)	<b>BE</b>	<b>BP</b>
1 Lamp Electronic (TT5) (55 Watt)	-	<b>BF</b>
LOL (TT5) Dimming (40 Watt)	<b>PB*</b>	-

\*Instant Start Standard

### Options/Accessories

**Fusing:** Internal fast-blow fusing. Suffix: **GLR**.

Internal slow-blow fusing. Suffix: **GMF**.

**Radio Interference Filter:** To order one RIF per fixture, Suffix: **R**.

To order one RIF per ballast. Suffix: **B**.

**Electrical/Wiring Options:** Consult factory.

**Fluorescent Emergency Lighting System:** Factory-installed emergency power battery pack with charger and inverter. Suffix: **EM**.

**Drywall Frame:** Catalog Number: **WL2DF/UNV**.

### Specifications

**Materials:** Chassis parts are die-formed 20 gauge cold rolled steel with integral adjustable hanger clamp. **Reflectors**—low iridescent semi-specular aluminum are standard.

**Finish:** Chassis exterior—phosphate undercoating, baked white acrylic enamel. **Reflector**—low iridescent semi-specular is standard.

**Electrical:** Rapid start HPF, thermally protected class "P" ballast (Biax type). If K.O. is within 3" of ballast, use wire suitable for at least 90°.

**Labels:** I.B.E.W./UL and ULc Listed.



optional drywall frame WL2DF/UNV.

### Job Information

### Type:

Lightolier a Genlyte Company

www.lightolier.com

Technical Information: (978) 657-7600 • Fax (978) 658-0595

631 Airport Road, Fall River, MA 02720 • (508) 679-8131 • Fax (508) 674-4710

We reserve the right to change details of design, materials and finish.

© 2005 a Genlyte company

Section5/Folio K10-15 Rev. A

## Free Manuals Download Website

<http://myh66.com>

<http://usermanuals.us>

<http://www.somanuals.com>

<http://www.4manuals.cc>

<http://www.manual-lib.com>

<http://www.404manual.com>

<http://www.luxmanual.com>

<http://aubethermostatmanual.com>

Golf course search by state

<http://golfingnear.com>

Email search by domain

<http://emailbydomain.com>

Auto manuals search

<http://auto.somanuals.com>

TV manuals search

<http://tv.somanuals.com>