

Walmaster WMRL143120S0

Page 1 of 2

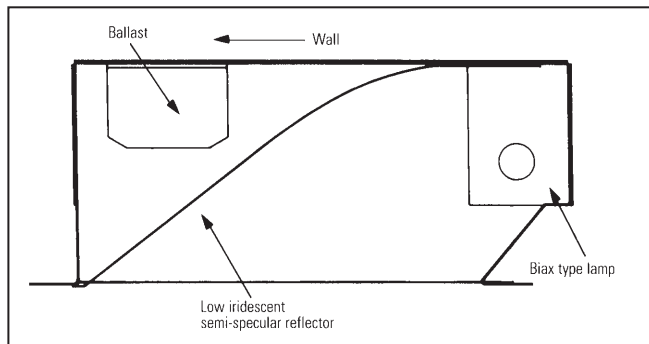
High Performance, 4', Recessed Wallwasher/Accent Light
One T8 Lamp

Features

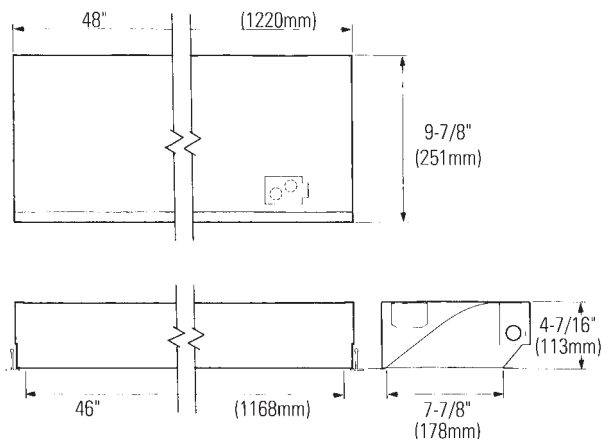
- Low iridescent semi- specular reflective system for precise controlled light output.
- Evenly lights vertical surfaces or displays (no scallops).
- Less than 3:1 maximum to minimum wall illumination when installed 6 feet on center.
- 20,000 hours lamp life
- Energy saving T8 lamp..
- No edges protrude below ceiling line.
- Can be installed only 2 feet from wall to farthest edge of fixture (3 feet maximum).
- Fits all standard and narrow grid ceiling systems.
- One-piece body and integral hanger for easy, quick installation.
- Sides of fixture can support tile or sit on T-bar.
- UL-Listed access plate.
- Meets NYC Code requirements.



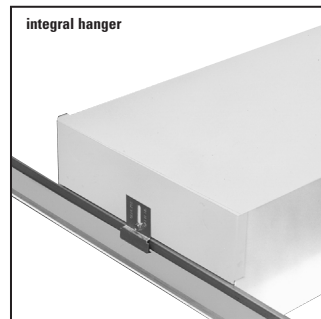
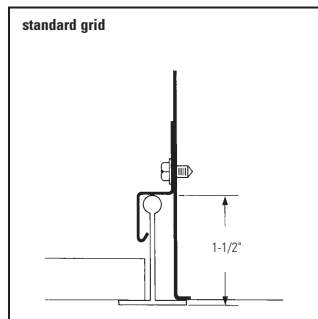
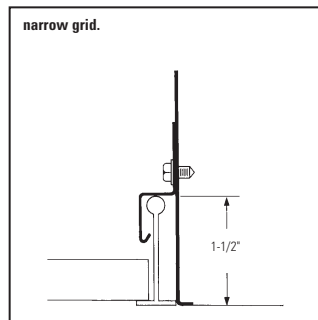
Features



Dimensions



Mounting Methods



Job Information	Type:
Job Name:	
Cat. No.:	
Lamp(s):	
Volts/Ballast:	

Lightolier a Genlyte Company www.lightolier.com
Technical Information: (978) 657-7600 • Fax (978) 658-0595
631 Airport Road, Fall River, MA 02720 • (508) 679-8131 • Fax (508) 674-4710
We reserve the right to change details of design, materials and finish.
© 2005 a Genlyte company **Section 5/Folio K10-17 Rev. A**



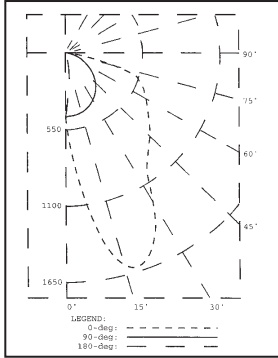
Walmaster WMRL143120S0

Photometry

Model No. WMRL143120S0

LER = FP - 53.6 IW - 31.5 BF - 0.85

Comparative yearly lighting energy cost per 1000 lumens = \$4.46



coefficients of utilization — zonal cavity method

	20			30			40			
RF	20									
RC	80									
RW	70	50	30	50	30	10	50	30	10	
room cavity ratio	1	76	73	69	68	66	64	65	63	62
	2	69	63	58	59	55	52	57	54	51
	3	63	55	49	52	47	44	50	46	43
	4	57	49	43	46	41	37	45	40	37
	5	53	44	37	41	36	32	40	35	32
	6	49	39	33	37	32	28	36	31	28
	7	45	36	29	34	29	25	33	28	25
	8	42	33	27	31	26	22	30	25	22
	9	39	30	24	29	24	20	28	23	20
	10	37	28	22	26	22	18	26	21	18

FOOTCANDLES ON WALL Fixtures 3 feet from wall to outside trim on lamp side of fixture

Ceiling	INDIVIDUAL WALMASTER								MULTIPLE UNITS							
	0'	1'	2'	3'	4'	5'	6'	7'	6'							
8'	49	38	21	12	8	5	4	3	58	46	32	28	32	46	58	
7'	49	22	29	18	12	8	6	4	59	54	44	40	44	54	59	
6'	36	33	25	18	12	8	6	5	48	45	41	39	41	45	48	
5'	27	25	21	16	12	9	7	5	39	38	37	36	37	39	39	
4'	21	20	17	14	11	8	7	5	33	32	32	31	32	32	33	
3'	16	16	14	12	9	8	6	5	28	28	28	28	28	28	28	
2'	13	13	12	10	9	7	6	5	25	24	24	24	24	24	25	
1'	11	10	10	9	8	6	6	5	21	21	21	21	21	21	21	
Floor																

Ceiling	MULTIPLE UNITS								CONTINUOUS ROW									
	8'								0'	1'	2'	3'	4'	5'	6'	7'	8'	
8'	53	41	26	18	16	18	26	41	53	50	59	68	59	51	59	68	59	50
7'	52	46	34	26	23	26	34	46	52	67	71	76	72	69	72	76	71	67
6'	41	38	32	26	24	26	32	38	41	60	63	65	64	63	64	65	63	52
5'	32	30	27	25	24	25	27	30	32	52	54	55	55	55	55	55	53	52
4'	25	25	24	22	21	22	24	25	25	46	46	47	47	48	47	46	46	46
3'	21	21	20	20	19	20	20	21	21	38	39	40	40	41	40	40	39	38
2'	18	18	18	17	17	17	18	18	18	33	34	35	35	35	35	35	34	33
1'	15	15	15	15	15	15	15	15	15	28	29	30	30	30	30	30	29	28
Floor																		

Ordering Information

Explanation of Catalog Number. Example: WMRL143120S0GLR

WM Walmaster: Low iridescent semi-specular wallwash	R Recessed	L Reflector: L = Low iridescent semi-specular aluminum	1 Lamp	4 Length: 4=48"	3 Watts: 3=32 Watts	120 or 277 Voltage: UNV=120-277	Options: Add appropriate suffix to catalog no, ie: (GLR)
--	----------------------	---	------------------	------------------------------	----------------------------------	--	--

Options/Accessories

Fusing: Internal fast-blow fusing. Suffix: **GLR**.

Internal slow-blow fusing. Suffix: **GMF**.

Radio Interference Filter: To order one RIF per fixture, Suffix: **R**.

To order one RIF per ballast, Suffix: **B**.

Electrical/Wiring Options: Consult factory.

Fluorescent Emergency Lighting System: Factory-installed emergency power battery pack with charger and inverter. Suffix: **EM**.

Drywall Frame: Catalog Number: **WL4DF/UNV**.

Specifications

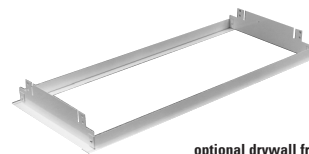
Materials: Chassis parts are die-formed 20 gauge cold rolled steel with integral adjustable hanger clamp. **Reflectors**—low iridescent semi-specular aluminum are standard.

Finish: Chassis exterior—phosphate undercoating, baked white acrylic enamel. **Reflector**—low iridescent semi-specular IS standard.

Electrical: Rapid start HPF, thermally protected class "P" ballast (Biax type).

If K.O. is within 3" of ballast, use wire suitable for at least 90°.

Labels: I.B.E.W./UL and ULc Listed.



optional drywall frame WL4DF/UNV.

Job Information

Type:

Lightolier a Genlyte Company

www.lightolier.com

Technical Information: (978) 657-7600 • Fax (978) 658-0595

631 Airport Road, Fall River, MA 02720 • (508) 679-8131 • Fax (508) 674-4710

We reserve the right to change details of design, materials and finish.

© 2005 a Genlyte company

Section5/Folio K10-17 Rev. A

LIGHTOLIER®

Free Manuals Download Website

<http://myh66.com>

<http://usermanuals.us>

<http://www.somanuals.com>

<http://www.4manuals.cc>

<http://www.manual-lib.com>

<http://www.404manual.com>

<http://www.luxmanual.com>

<http://aubethermostatmanual.com>

Golf course search by state

<http://golfingnear.com>

Email search by domain

<http://emailbydomain.com>

Auto manuals search

<http://auto.somanuals.com>

TV manuals search

<http://tv.somanuals.com>