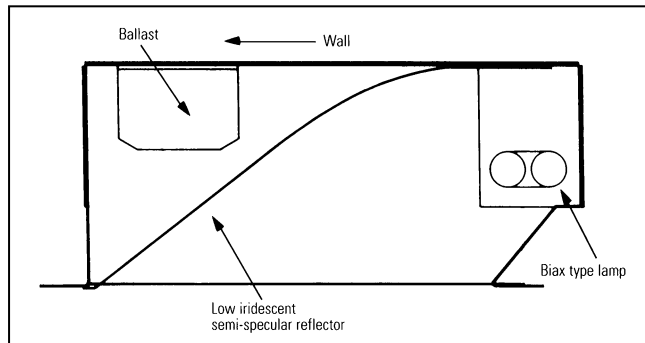


## Features

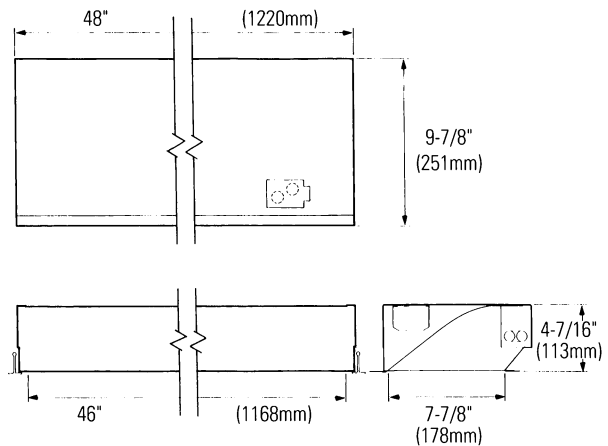
- Low iridescent semi-specular reflective system for precise controlled light output.
- Evenly lights vertical surfaces or displays (no scallops).
- 87% energy savings vs. incandescent.
- Less than 3:1 maximum to minimum wall illumination when installed 6 feet on center.
- 20,000 hours lamp life requires less maintenance than incandescent.
- Can be installed only 2 feet from wall to farthest edge of fixture (3' maximum).
- Fits all standard and narrow grid ceiling systems.
- One-piece body and integral hanger for easy, quick installation.
- UL-Listed access plate.
- Meets NYC Code requirements.



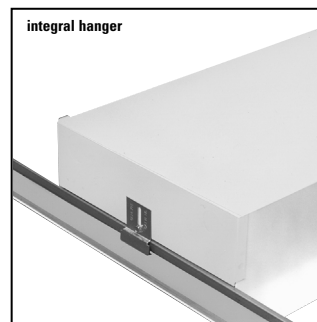
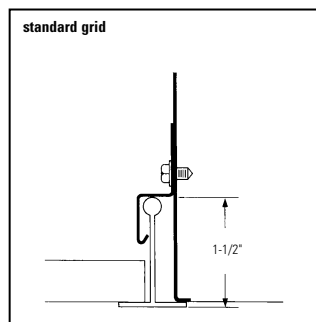
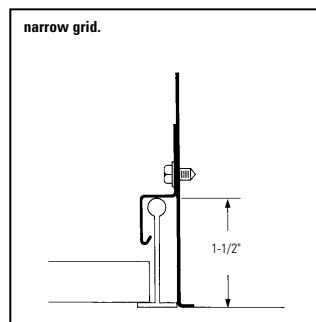
## Features



## Dimensions



## Mounting Methods



Job Information	Type:
<b>Job Name:</b>	
<b>Cat. No.:</b>	
<b>Lamp(s):</b>	
<b>Volts/Ballast:</b>	

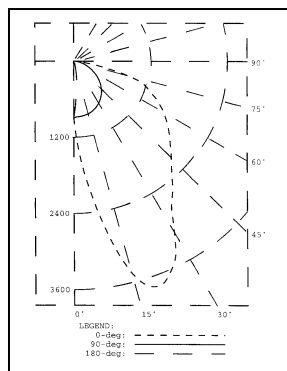
Lightolier a Genlyte Company www.lightolier.com  
 Technical Information: (978) 657-7600 • Fax (978) 658-0595  
 631 Airport Road, Fall River, MA 02720 • (508) 679-8131 • Fax (508) 674-4710  
 We reserve the right to change details of design, materials and finish.  
 © 2005 a Genlyte company **Section 5/Folio K10-16 Rev. A**



# Walmaster WMRL244120SB

## High Performance, 4', Recessed Wallwasher/Accent Light Two Twin Tube TT5 Lamps

### Photometry



Model No. WMRL244120SB

LER = FP - 51.6 IW - 86.7 BF - 0.95

Comparative yearly lighting energy cost per 1000 lumens = \$4.65

#### coefficients of utilization — zonal cavity method

	RF	20			20			20		
	RC	80			50			30		
	RW	70	50	30	50	30	10	50	30	10
room cavity ratio	1	81	77	74	72	70	68	70	67	66
	2	73	67	62	63	59	55	60	57	54
	3	67	59	52	55	50	46	53	49	45
	4	61	52	45	49	43	39	47	42	38
	5	56	46	39	44	38	33	42	37	33
	6	51	41	34	39	33	29	38	33	29
	7	48	37	31	35	30	26	34	29	25
	8	44	34	27	32	27	23	31	26	23
	9	41	31	25	30	24	20	29	24	20
	10	39	29	22	27	22	18	27	22	18

### FOOTCANDLES ON WALL Fixtures 3 feet from wall to outside trim on lamp side of fixture

Ceiling	INDIVIDUAL WALMASTER								MULTIPLE UNITS										
	0'	1'	2'	3'	4'	5'	6'	7'	← 6' →										
8'	116	88	51	30	19	13	10	08	135	109	77	67	77	110	137				
7'	119	102	71	45	28	18	14	11	142	130	108	88	109	133	147				
6'	92	83	64	45	31	22	16	12	117	114	104	99	105	117	123				
5'	69	64	53	40	30	22	16	13	95	95	92	90	94	99	192				
4'	52	50	43	35	27	21	17	13	79	80	79	79	81	84	86				
3'	40	39	35	30	24	19	15	13	66	67	67	69	70	71	72				
2'	32	31	29	25	21	17	15	12	56	57	58	59	60	61	61				
1'	26	25	23	21	18	15	13	12	47	49	50	51	51	52	52				
Floor																			

Ceiling	MULTIPLE UNITS								CONTINUOUS ROW									
	← 8' →								0'	1'	2'	3'	4'	5'	6'	7'	8'	
8'	124	97	61	43	37	43	61	97	124	151	134	119	139	162	140	122	140	162
7'	128	113	85	65	58	65	85	113	128	166	167	164	176	186	178	170	178	186
6'	102	95	80	67	62	67	80	96	102	142	149	152	159	164	162	159	162	164
5'	80	77	69	62	59	62	70	77	80	119	126	131	136	139	139	139	139	139
4'	64	63	60	56	54	56	60	63	64	100	106	112	115	117	118	119	118	117
3'	52	52	51	49	47	49	51	52	52	85	90	94	97	99	100	101	100	99
2'	43	44	43	42	42	42	43	44	43	73	77	80	83	85	86	86	86	85
1'	35	36	36	36	36	36	36	36	36	63	66	68	70	72	72	73	72	72
Floor																		

### Ordering Information

Explanation of Catalog Number. Example: WMRL244120SBGLR

<b>WM</b>	<b>R</b>	<b>L</b>	<b>2</b>	<b>4</b>				
<b>Walmaster:</b> Low iridescent semi-specular wallwash	<b>Recessed</b>	<b>Reflector:</b> L = Low iridescent semi-specular aluminum	<b>Lamps</b>	<b>Length:</b> 4=48"	<b>Watts:</b> 1=18 Watts 2=24 Watts 4=40 Watts 5=50 Watts 6=55 Watts	<b>Voltage:</b> 120 or 277	<b>Ballast Type:</b> <20THD <10THD	<b>Options:</b> Add appropriate suffix to catalog no., ie: (GLR)

### Options/Accessories

**Fusing:** Internal fast-blow fusing. Suffix: **GLR**.

Internal slow-blow fusing. Suffix: **GMF**.

**Radio Interference Filter:** To order one RIF per fixture, Suffix: **R**.

To order one RIF per ballast, Suffix: **B**.

**Electrical/Wiring Options:** Consult factory.

**Fluorescent Emergency Lighting System:** Factory-installed emergency power battery pack with charger and inverter. Suffix: **EM**.

**Drywall Frame:** Catalog Number: **WL4DF/UNV**.

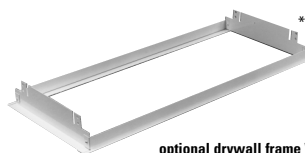
### Specifications

**Materials:** Chassis parts are die-formed 20 gauge cold rolled steel with integral adjustable hanger clamp. **Reflectors**—low iridescent semi-specular aluminum are standard.

**Finish:** Chassis exterior—phosphate undercoating, baked white acrylic enamel. **Reflector**—low iridescent semi-specular IS standard.

**Electrical:** Rapid start HPF, thermally protected class "P" ballast (Biax type). If K.O. is within 3" of ballast, use wire suitable for at least 90°.

**Labels:** I.B.E.W./UL and ULc Listed.



optional drywall frame WL4DF/UNV.

### Job Information Type:

**Lightolier** a Genlyte Company [www.lightolier.com](http://www.lightolier.com)  
 Technical Information: (978) 657-7600 • Fax (978) 658-0595  
 631 Airport Road, Fall River, MA 02720 • (508) 679-8131 • Fax (508) 674-4710  
 We reserve the right to change details of design, materials and finish.  
 © 2005 a Genlyte company **Section5/Folio K10-16 Rev. A**

LIGHTOLIER®

## Free Manuals Download Website

<http://myh66.com>

<http://usermanuals.us>

<http://www.somanuals.com>

<http://www.4manuals.cc>

<http://www.manual-lib.com>

<http://www.404manual.com>

<http://www.luxmanual.com>

<http://aubethermostatmanual.com>

Golf course search by state

<http://golfingnear.com>

Email search by domain

<http://emailbydomain.com>

Auto manuals search

<http://auto.somanuals.com>

TV manuals search

<http://tv.somanuals.com>