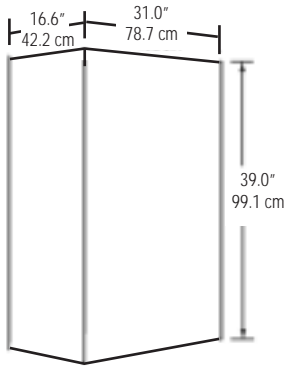




LUPS Series Uninterruptible Power Supplies **LUPS**

Operates incandescent, electronic ballast loads and HID lighting loads as well as critical loads requiring conditioned emergency power.



	550 VA	1000 VA	1500 VA
Cabinet & Electronics	223 lbs. (101 kg)	223 lbs. (101 kg)	262 lbs. (119 kg)
Sealed Lead Calcium Battery			
10 Minute Backup	44 lbs. (19.9 kg)	59 lbs. (26.8 kg)	88 lbs. (39.9 kg)
20 Minute Backup	54 lbs. (24.5 kg)	88 lbs. (39.9 kg)	108 lbs. (49.0 kg)
90 Minute Backup	121 lbs. (55 kg)	203 lbs. (92 kg)	288 lbs. (131 kg)

How to Specify:



Series

LUPS = LUPS Uninterruptible Power Supply for Emergency Lighting Applications

LUPSX = 10 Minute Backup
LUPSY = 20 Minute Backup



VA Rating

550 = 550 VA
1000 = 1,000 VA
1500 = 1,500 VA



Voltage Configuration

Input Output
A = 120 120
B = 277 277



Output Circuit Breakers

OCB1 = (550 VA)
OCB3 = (1000, 1500 VA)

Overall Characteristics

- 83% throughput efficiency
- Single conversion UPS, No transfer time
- Operating temperature range of 32°F (0°C) to 104°F (40°C); 65°F (19°C) to 85°F (29°C) maximum for batteries
- Standard 90 minutes of operating time
- Full-time, isolating transformer
- Variable Range Regulator allows wider range of acceptable input voltage variation
- ANSI/IEEE C62.41 category A & B surge voltage withstand capability

Housing

- Free standing, NEMA 1 enclosure with locking doors
- Acid resistant powder coat finish
- Multiple conduit entries

Standard Metering/Controls

- AC input and output voltage
- AC input breaker
- AC output breaker
- Battery disconnect device
- Automatic battery monitor with alarm
- LED indicating lamps for system on, system on battery, low battery warning

Battery

Maintenance free, sealed lead calcium battery has an estimated service life of 10 years, and operating temperature range of 65°F (19°C) to 85°F (30°C)*.

* Increases or decreases in temperature will affect battery performance. Optimum battery performance realized at 77°F (25°C). Batteries are rated at 100% capacity at 77°F (25°C).

Electronics

Input

- Input power factor self-correcting to > 0.95
- Frequency 60.0 ±2.5 Hz
- Input voltage tolerance +10% to -15%
- Input harmonics < 8% THD

Output

- Solid-state PWM inverter with sine wave output
- Output voltage regulation ±3% of nominal at full load
- Output frequency 60 Hz ±0.2%
- Load power factor capability is 0.6 lagging to unity
- Overload rating: 125% for 10 minutes
- Efficiency: 82% to 86%

Charger

- Low voltage disconnect (LVD)
- 3 amp, 2-stage
- Recharge time: UL 924 compliant

Options

FSU = Start-up Service
EXT = Extended Warranty (with FSU only)

Job Information

Type:

Job Name:

Cat. No.:

Lamp(s):

Notes:

Lightolier a Genlyte Company

www.lightolier.com

631 Airport Road, Fall River, MA 02720 • (508) 679-8131 • Fax (508) 674-4710

We reserve the right to change details of design, materials and finish.

© 2006 Genlyte Group LLC (Lightolier Division) • C0406

LIGHTOLIER®



LUPS Series Uninterruptible Power Supplies **LUPS**

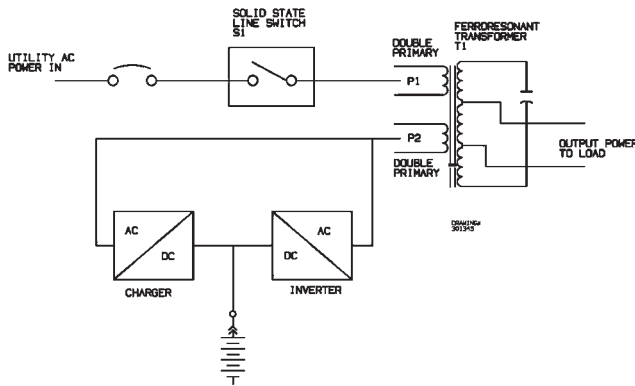
MODEL	CAPACITY	INPUT (Select One)		OUTPUT (Select One)		BREAKERS INCLUDED
		AC INPUT VOLTAGES	INPUT AMPS ¹	AVAILABLE OUTPUT VOLTAGES/ MAX. LOAD AMPS		
LUPS550	550 VA	120	6.5	120 V	277 V	1
		277	2.0	4.6	2.0	1
LUPS1000	1,000 VA	120	11.5	8.3	3.6	3
		277	5.0	8.3	3.6	3
LUPS1500	1,500 VA	120	17.2	12.5	5.4	3
		277	7.4	12.5	5.4	3

NOTES:
¹ Maximum input current

Warranty

Electronics: 1 year
 Battery: 1 year full, 9 years pro-rata
 Extended warranty options available

System One-Line Diagram



Listed to
 UL 924 and
 UL 924
 Auxiliary
 Equipment

Job Information Type:

Lightolier a Genlyte Company www.lightolier.com
 631 Airport Road, Fall River, MA 02720 • (508) 679-8131 • Fax (508) 674-4710
 We reserve the right to change details of design, materials and finish.
 © 2005 Genlyte Group LLC (Lightolier Division) • B0505

LIGHTOLIER®

Free Manuals Download Website

<http://myh66.com>

<http://usermanuals.us>

<http://www.somanuals.com>

<http://www.4manuals.cc>

<http://www.manual-lib.com>

<http://www.404manual.com>

<http://www.luxmanual.com>

<http://aubethermostatmanual.com>

Golf course search by state

<http://golfingnear.com>

Email search by domain

<http://emailbydomain.com>

Auto manuals search

<http://auto.somanuals.com>

TV manuals search

<http://tv.somanuals.com>