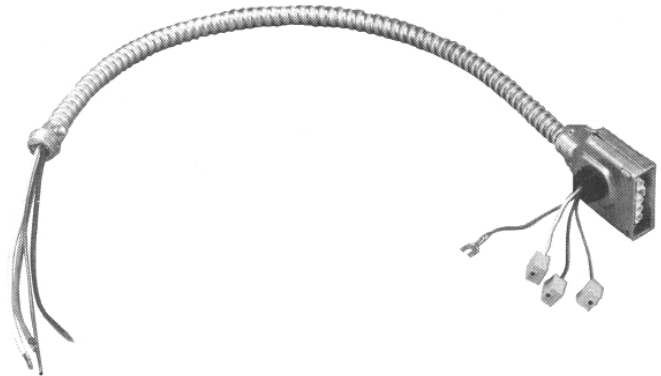
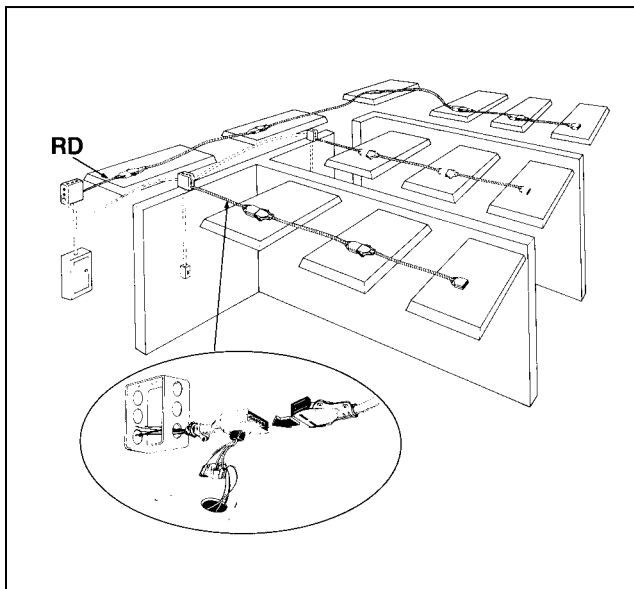


## Features

- Pre-wired with female (power out) connector and fixture taps that are #18 AWG TFN solid copper conductors, connected to "Poke-Home" connectors. Opposite end has 6" leads and 1/2" K.O. connector for mounting to a junction box in a standard 1/2" (7/8" diameter) knockout.
- Suitable for use in return air spaces above suspended ceilings in accordance with 1999 N.E.C. 300-22 (c) and 604-3.
- Rated for 20 amp 120 and 277 volt lighting circuits.
- Connector polarized and color-coded for voltage function to prevent mismatching of components.
- #12 AWG THHN stranded copper, 600 volt.
- Pin and socket contacts.
- Meets UL requirements for making or breaking under load.
- I.B.E.W./UL and C-UL labeled.



## APPLICATION

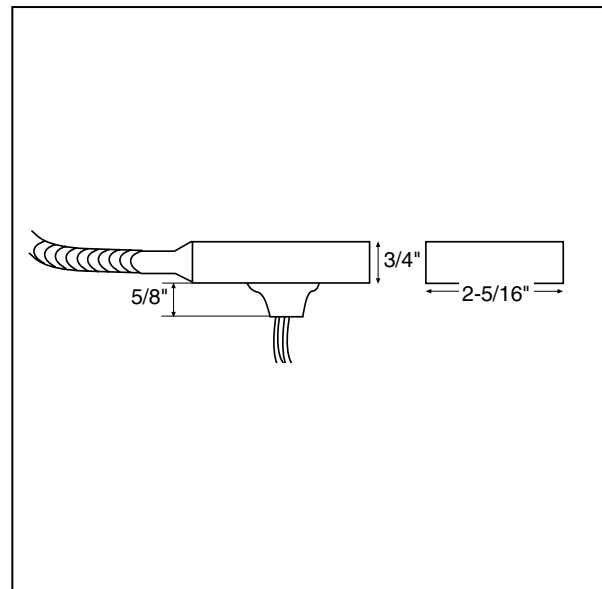


"D" Series Distribution cable distributes the lighting circuit(s) to the first lighting fixture on the flexible wiring system from a hardwired system.

It is quickly or easily field-installed by plugging ballast leads into "Poke-Home" connectors, no wire nuts required. Snaps into 1/2" knockout.

"D" Series distribution cables add a maximum of 7/8" to fixture height, available in 1, 2 or 3 circuits.

## DIMENSIONS



### Job Information

### Type:

**Job Name:**

**Cat. No.:**

**Lamp(s):**

**Volts/Ballast:**

Lightolier a Genlyte Thomas Company

www.lightolier.com

Technical Information: (978) 657-7600 • Fax (978) 658-0595

631 Airport Road, Fall River, MA 02720 • (508) 679-8131 • Fax (508) 674-4710

We reserve the right to change details of design, materials and finish.

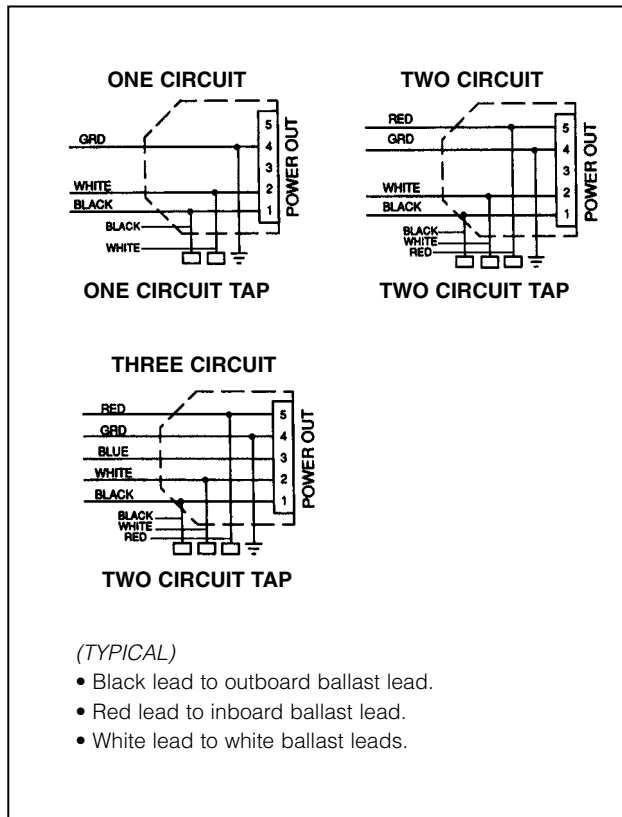
© 2002 Genlyte Thomas Group LLC (Lightolier Division)

A0902

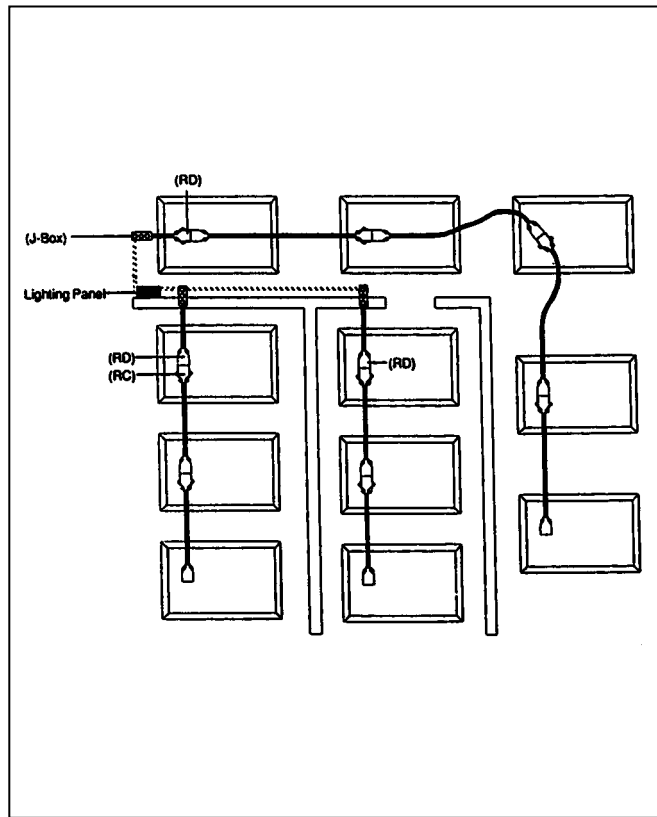
**OPTIONS/ACCESSORIES/Folio OA40-16**



## WIRING DIAGRAM

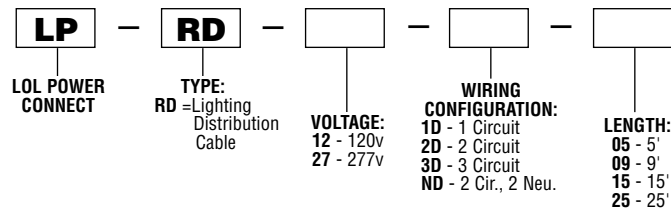


## WIRING



## ORDERING INFORMATION

Explanation of Catalog Number. Example: LP-RD-12-1D-09



## SPECIFICATIONS

- UL and C-UL Listed.
- I.B.E.W. labeled.
- Suitable for use in return air spaces above suspended ceilings in accordance with 1999 N.E.C. 300-22 (c) and 604.3.
- Meets UL requirements for making or breaking under load.
- Pin and socket contacts.
- Rated for 20 amp 120 and 277 volt lighting circuits.
- Connector polarized and color-coded for voltage function to prevent misating of components.
- #12 AWG THHN stranded copper, 600 volt.
- Pre-wired with female (power-out) connector and fixture taps that are #18 AWG TFN solid copper conductors, connected to "Poke-Home" connectors.
- Opposite end has 6" leads and 1/2" K.O. connector for mounting to a junction box in a standard 1/2" (7/8" diameter) knockout.

<b>Job Information</b>	<b>Type:</b>
------------------------	--------------

**Lightolier** a Genlyte Thomas Company www.lightolier.com  
 Technical Information: (978) 657-7600 • Fax (978) 658-0595  
 631 Airport Road, Fall River, MA 02720 • (508) 679-8131 • Fax (508) 674-4710  
 We reserve the right to change details of design, materials and finish.  
 © 2002 Genlyte Thomas Group LLC (Lightolier Division)  
 A0902 **OPTIONS/ACCESSORIES/Folio 0A40-16**

**LIGHTOLIER**®

## Free Manuals Download Website

<http://myh66.com>

<http://usermanuals.us>

<http://www.somanuals.com>

<http://www.4manuals.cc>

<http://www.manual-lib.com>

<http://www.404manual.com>

<http://www.luxmanual.com>

<http://aubethermostatmanual.com>

Golf course search by state

<http://golfingnear.com>

Email search by domain

<http://emailbydomain.com>

Auto manuals search

<http://auto.somanuals.com>

TV manuals search

<http://tv.somanuals.com>