

Ordering Information

Catalog No.	Finishes	Mountings	Lamps
26038W WH	Matte White	ProSpec™ Track System	PAR38 250W Max.
26038W BK	Matte Black		

Features

- Track attachment fitting:** Die-cast aluminum with separate mechanical and electrical functions. Fitting cannot be engaged or disengaged while fixture is powered. Polarity is not a concern with ProSpec track because of its symmetrical positioning of circuits within the track, adapters are reversed to access one or the other circuits.
- Stem:** 5/8" O.D. .049" wall, stainless steel.
- Locking feature:** Die-cast aluminum mechanism permits the locking of the horizontal and vertical positions simultaneously by clamping jaws. When the stainless steel braking lever is released, the horizontal and vertical functions remain fully tensioned to hold aiming positions. Adjustment range is: Horizontal 0-340°; Vertical 0° (NADIR) - 90°.
- Lampholder:** Porcelain, medium base, nickel plated screw shell, #18 ga. braided SF-1 leads.
- Housing:** 20 ga. (.036) steel.
- Lamp and accessory support:** .032 steel, flared for easy entry of accessory cartridge, matte black finish.
- Kick reflector assembly:** Holds one accessory behind the spread lens; example: color filter, UV filter, Heat filter. Assembly is removable from front using a twist and lock motion.
- Reflector:** Embossed texture anodized aluminum; reflects light towards upper portion of wall and ceiling line.
- Lever:** Energizes fixture electrically by 90° rotation.
- Clamping tabs:** Expands or releases gripper springs from track ledge; gripper springs hold attachment fitting securely within track.

Finish

All painted finishes are powder coated baked enamel.

Options & Accessories

Accessories: 4 3/4" dia. series. Filters, lenses, screens and louvers. 150W max. when using accessories.

Electrical

Electrical components: Polycarbonate moldings. Contacts: Heavy gauge 1/2 hard brass developed for Lightolier's "U" shaped track conductors.

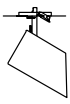
Labels

UL, I.B.E.W.

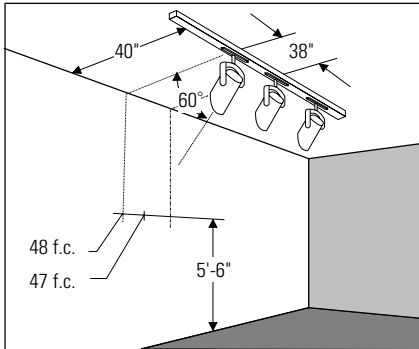
Job Information	Type:
Job Name:	
Cat. No.:	
Lamp(s):	
Notes:	

Lightolier a Genlyte Thomas Company www.lightolier.com
 631 Airport Road, Fall River, MA 02720 • (508) 679-8131 • Fax (508) 674-4710
 We reserve the right to change details of design, materials and finish.
 © 2002 Genlyte Thomas Group LLC (Lightolier Division) • A0902

LIGHTOLIER®



**Lighting Data: 150W PAR38 FL
FOOTCANDLES ON WALL:**



EXAMPLE: With track located 40" from wall and multiple units spaced 38" on center and aimed 60° from horizontal, the illumination on wall 5' 6" from floor will be 48 f.c. beneath units and 47 f.c. between units.

Single Units

Multiple Units†

8'-0" Ceiling Height Track 22" from Wall*

Track Dist. from Wall	DISTANCE TO SIDE OF UNIT								13"		27"				
	6"	12"	18"	24"	30"	36"	42"	48"							
0	11.0	6.5	5.5	3.0	2.0	1.5	1.0	0.5	0.5	19.5	16.5	19.5	15.0	10.5	15.0
1	70.0	65.0	34.0	12.0	5.5	8.0	1.5	1.0	1.0	97.0	109.5	97.0	80.0	48.5	80.0
2	115.0	110.0	66.0	26.0	9.0	3.5	2.0	1.0	1.0	171.0	190.5	171.0	129.0	95.0	129.0
2.5	140.0	130.0	80.0	36.0	14.0	4.5	2.5	1.5	1.0	217.0	231.0	217.0	160.0	120.0	160.0
3	120.0	115.0	77.0	39.0	16.5	6.0	2.5	1.5	1.5	203.0	217.0	203.0	144.0	120.0	144.0
4	48.0	48.0	40.0	24.0	14.0	7.5	3.0	2.0	1.5	102.0	113.0	102.5	71.0	69.0	71.0
5	17.0	17.0	16.0	11.5	8.5	5.5	3.0	2.0	1.5	46.5	51.0	46.5	33.0	32.5	33.0
6	8.0	7.0	8.0	6.0	5.0	3.5	2.8	2.0	1.5	25.5	27.0	25.5	18.5	18.5	8.5
7	4.0	4.0	5.0	3.5	3.0	3.0	2.0	2.0	1.0	15.0	18.5	15.0	12.0	12.5	12.0
8	2.5	3.0	3.0	2.5	2.5	2.5	2.0	1.5	0.5	11.5	14.0	11.5	9.0	0.0	9.0

10'-0" Ceiling Height Track 40" from Wall*

Track Dist. from Wall	DISTANCE TO SIDE OF UNIT							33"		57"				
	12"	24"	36"	48"	60"	72"	84"							
0	6.0	5.0	2.5	2.5	2.0	1.0	0.5	0.0	12.0	9.5	12.0	7.5	6.0	7.5
1	13.0	11.0	9.0	3.5	2.0	1.0	0.5	0.5	21.5	24.0	21.5	17.0	13.5	17.0
2	23.0	18.0	12.0	4.5	3.0	1.0	0.5	0.5	82.5	83.0	82.5	26.0	18.0	26.0
3	25.0	28.0	14.5	5.0	8.0	1.0	0.5	0.5	86.5	40.5	36.5	28.0	21.0	28.0
4	33.0	27.0	15.0	6.0	2.5	1.0	0.5	0.5	48.0	45.0	48.0	36.0	22.5	36.0
4.5	34.0	28.0	16.0	6.0	2.5	1.0	1.0	0.5	48.0	47.0	48.0	37.0	23.5	37.0
5	28.0	25.0	15.0	6.0	2.5	1.5	1.0	0.5	41.0	43.0	41.0	31.5	22.0	81.5
6	20.0	18.0	13.0	5.5	2.0	1.5	1.0	0.5	82.0	34.0	32.0	28.5	20.0	23.5
7	15.0	18.0	9.0	4.0	1.5	1.5	1.0	1.0	25.0	25.0	25.0	18.0	14.5	18.0
8	10.0	8.5	6.0	3.0	1.5	1.5	1.0	1.0	18.0	18.0	18.0	18.0	10.5	13.0
9	8.0	7.0	4.5	2.0	1.5	1.5	1.0	1.0	14.0	14.0	14.0	11.0	8.5	11.0
10	5.0	4.0	8.5	1.5	1.5	1.5	1.0	1.0	9.0	10.5	9.0	7.5	6.5	7.5

12'-0" Ceiling Height Track 66" from Wall*

Track Dist. from Wall	DISTANCE TO SIDE OF UNIT									62"		93"			
	12"	24"	36"	48"	60"	72"	84"	96"							
0	3.5	3.0	2.5	2.0	1.0	1.0	0.5	0.5	0.5	5.0	5.0	5.0	4.0	3.0	4.2
1	5.5	5.0	4.0	3.0	1.5	1.0	0.5	0.5	0.5	7.5	7.5	7.5	6.0	3.5	6.2
2	8.0	7.5	5.5	3.5	2.0	1.5	1.0	0.5	0.5	10.5	10.0	10.5	8.5	5.0	8.8
3	9.0	8.5	7.0	4.5	2.5	1.5	1.0	4.0	0.5	12.0	12.0	12.0	9.5	5.5	9.8
4	10.0	10.0	8.0	5.5	8.0	2.0	1.0	1.0	0.5	18.5	14.5	18.5	10.5	6.5	10.6
5	12.5	12.0	10.0	6.5	3.5	2.0	1.0	1.0	0.5	17.0	17.5	17.0	13.5	8.0	13.4
6	15.0	14.0	11.0	7.5	4.5	2.5	1.5	1.0	1.0	20.0	20.0	20.0	16.5	9.5	16.4
6.5	15.0	14.0	11.0	8.0	4.5	3.0	1.5	1.0	0.5	21.5	20.5	21.5	16.5	10.0	16.4
7	14.0	12.5	10.5	7.5	4.5	8.0	1.5	1.0	0.5	20.0	19.5	20.0	15.0	9.5	15.6
8	12.5	11.5	10.0	7.0	4.0	3.0	1.5	1.5	0.5	18.5	18.0	18.5	13.5	9.0	15.6
9	10.0	9.0	8.0	6.0	4.0	8.0	1.5	1.5	0.5	16.0	15.0	16.0	11.0	8.5	11.2
10	8.5	8.0	7.0	5.0	4.0	3.0	1.5	1.5	0.5	14.0	18.5	14.0	19.5	8.5	19.6
11	7.0	6.5	6.0	4.5	8.0	8.0	1.5	1.5	0.5	12.5	11.0	12.5	7.5	7.0	7.6
12	5.5	5.0	4.2	3.0	3.0	2.0	1.5	1.5	0.5	9.5	8.5	9.5	6.0	6.5	6.2

*At recommended track distance from wall for corresponding ceiling height, wall washer will provide maximum illumination at eye level (5' 6" above floor) when aimed 60 from horizontal (I.E.S. recommended practice).

† Footcandles shown in table for multiple units are based on a minimum of 5 units when on 18", 27", or 38" centers and 8 units when on 57" 62", or 98" centers.

Footcandle values are based on average room conditions.

Job Information Type:

Lightolier a Genlyte Thomas Company www.lightolier.com
 631 Airport Road, Fall River, MA 02720 • (508) 679-8131 • Fax (508) 674-4710
 We reserve the right to change details of design, materials and finish.
 © 2002 Genlyte Thomas Group LLC (Lightolier Division) • A0902

LIGHTOLIER®

Free Manuals Download Website

<http://myh66.com>

<http://usermanuals.us>

<http://www.somanuals.com>

<http://www.4manuals.cc>

<http://www.manual-lib.com>

<http://www.404manual.com>

<http://www.luxmanual.com>

<http://aubethermostatmanual.com>

Golf course search by state

<http://golfingnear.com>

Email search by domain

<http://emailbydomain.com>

Auto manuals search

<http://auto.somanuals.com>

TV manuals search

<http://tv.somanuals.com>