

**INSTALLATION OF PRE-WIRED QUAD TUBE POWERSPEC™
ELECTRONIC COMPACT FLUORESCENT REMODELER KITS**
7218HT AND 7226HT SERIES (2 PIN QUAD TUBE)
7218HF AND 7226HF SERIES (4 PIN QUAD TUBE)

INSTRUCTION SHEET NO.

IS:7226HRM

R1293

Page 1 of 2

READ AND UNDERSTAND THESE INSTRUCTIONS BEFORE INSTALLING FIXTURE.

This fixture is intended for installation in accordance with the National Electrical Code and local regulations. To assure full compliance with local codes and regulations, check with your local electrical inspector before installation. To prevent electrical shock, turn off electricity at fuse box before proceeding.

Retain these instructions for maintenance reference.

IMPORTANT SAFETY INSTRUCTIONS

WARNING: WHEN USING ELECTRICAL EQUIPMENT BASIC SAFETY PRECAUTIONS MUST ALWAYS BE OBSERVED INCLUDING THE FOLLOWING:

- TO PREVENT ELECTRICAL SHOCK, TURN OFF ELECTRICITY AT ELECTRICAL PANEL BEFORE PROCEEDING.
- RISK OF ELECTRIC SHOCK. TO PREVENT ELECTRIC SHOCK, FOR PROPER OPERATION AND SAFETY, THIS FIXTURE MUST BE GROUNDED.
- THIS FIXTURE IS INTENDED FOR INSTALLATION IN ACCORDANCE WITH NATIONAL ELECTRIC CODE AND LOCAL REGULATIONS.
- TURN OFF POWER BEFORE LAMPING AND RELAMPING.

- Do not install fixture on a branch circuit having a Ground Fault Circuit Interrupter (GFCI). Typically electronic ballasts may cause GFCI tripping.

WARNING—(RISK OF FIRE) DO NOT INSTALL INSULATION WITHIN 3 INCHES OF FIXTURE SIDES OR WIRING COMPARTMENT, NOR ABOVE FIXTURE IN SUCH A MANNER TO ENTRAP HEAT

EXISTING CONSTRUCTION

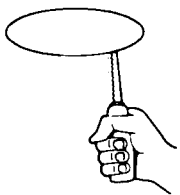


FIG. A
I. CUT OPENING

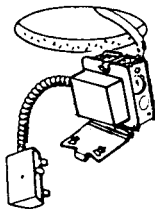


FIG. B
II. WIRE-IN

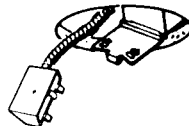


FIG. C
III. ATTACH J-BOX

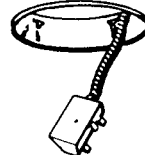


FIG. D
IV. ATTACH MOUNTING RING

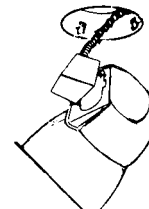


FIG. E
V. SNAP-ON



FIG. F
VI. PUSH-UP

I. CUT OPENING (Fig. A)

Use MOUNTING RING provided as a template to cut a hole in the ceiling. Use inside diameter to scribe hole.

II. WIRE-IN (Fig. B)

Wire to supply leads. (For Cable, use built-in Cable Clamp in J-Box.) White fixture lead to neutral supply lead. Black fixture lead to hot (120V) supply lead. Bare fixture wire to supply ground. Use wirenuts (local hardware item). Place all electrical connections in the J-BOX. Attach J-BOX COVER onto J-BOX.

III. ATTACH J-BOX (Fig. C & G)

1. Attach J-BOX PLATE to ceiling by pushing NAIL TAB on J-BOX PLATE into ceiling, Fig. G.
2. Push LONG LEG of NAIL CLIPS (supplied in parts bag) into RAISED BUMP of J-BOX PLATE and SHORT LEG into ceiling, Fig. G.
3. Make sure that the J-BOX PLATE is securely attached to the ceiling and the J-BOX is in the position shown in Fig. G.

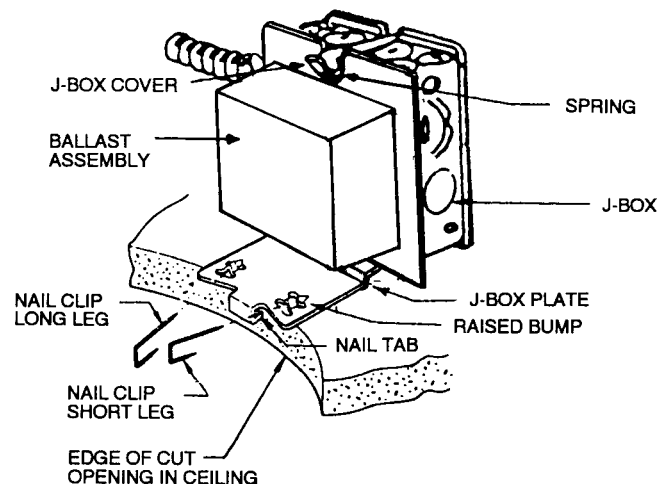


FIG. G

LIGHTOLIER® SECAUCUS, NEW JERSEY, 07096
MONTREAL, QUEBEC, CANADA

**INSTALLATION OF PRE-WIRED QUAD TUBE POWERSPEC™
ELECTRONIC COMPACT FLUORESCENT REMODELER KITS
7218HT AND 7226HT SERIES (2 PIN QUAD TUBE)
7218HF AND 7226HF SERIES (4 PIN QUAD TUBE)(CONTINUED)**

IV. ATTACH MOUNTING RING

Insert MOUNTING RING into CEILING as shown (Fig. H).

1. In order to install SIDE MOUNTED type REFLECTOR TRIMS when the ceiling thickness is greater than 1", the additional ceiling material opposite the JUNCTION BOX must be removed (Fig. K.)
2. Insert REFLECTOR TRIM, SOCKET CUP first into ceiling opening where the material was removed opposite the JUNCTION BOX. Pivot the REFLECTOR TRIM and push it up into the ceiling (Fig. K.)

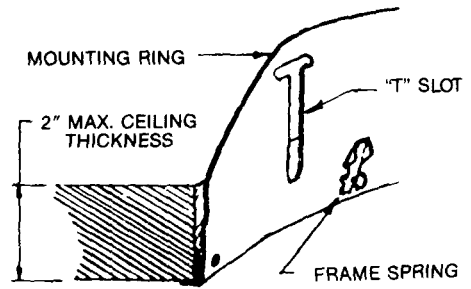


FIG. H

CLIP ASSEMBLY (Fig. I)

1. Insert CLIP from inside housing, through "T" slot.
2. Apply downward force with screwdriver on top of CLIP or engage screwdriver in slot in CLIP's flange.
3. Apply force until CLIP is snugly seated.

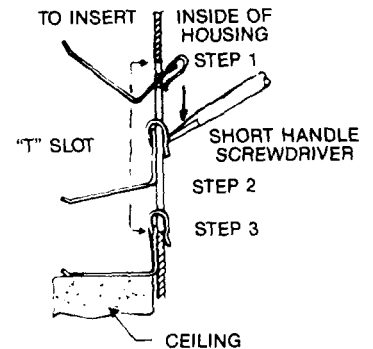


FIG. I

CLIP REMOVAL (Fig. J)

1. Insert a small blade, short-handled screwdriver through the CLIP's screwdriver slot, and press against the opposite side of the CLIP.
2. Push CLIP up to top of "T" SLOT and remove.



V. SNAP-ON (Fig. E)

SEE SEPARATE REFLECTOR TRIM INSTRUCTION SHEETS.

VI. PUSH-UP (Fig. F)

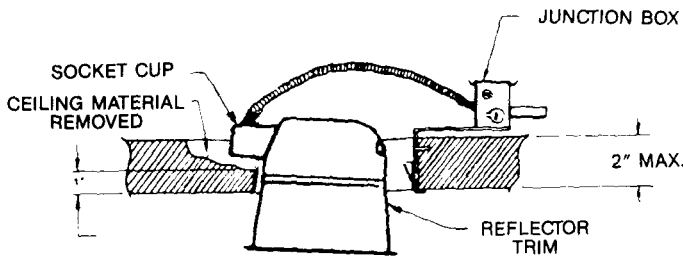


FIG. K

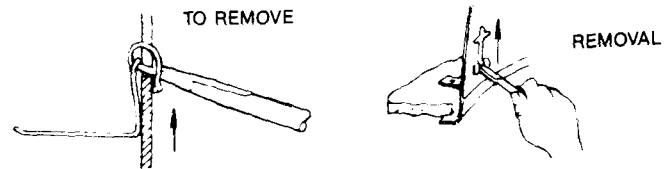
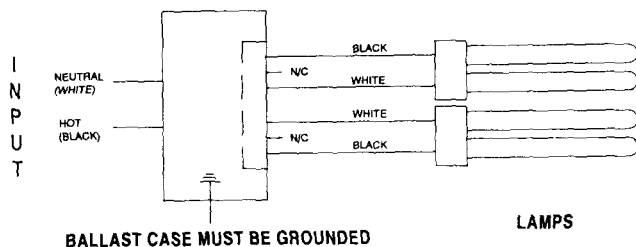
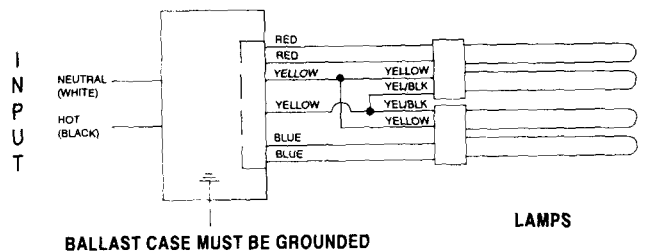


FIG. J

WIRING DIAGRAM FOR 2 PIN BASE LAMP



WIRING DIAGRAM FOR 4 PIN BASE LAMP



WARNING: USE ONLY REFLECTOR TRIMS PROVIDED BY LIGHTOLIER INC. USE OF OTHER MANUFACTURERS' REFLECTOR TRIMS VOIDS THE UNDERWRITERS LABORATORIES LISTING AND COULD CONSTITUTE A FIRE HAZARD.

Free Manuals Download Website

<http://myh66.com>

<http://usermanuals.us>

<http://www.somanuals.com>

<http://www.4manuals.cc>

<http://www.manual-lib.com>

<http://www.404manual.com>

<http://www.luxmanual.com>

<http://aubethermostatmanual.com>

Golf course search by state

<http://golfingnear.com>

Email search by domain

<http://emailbydomain.com>

Auto manuals search

<http://auto.somanuals.com>

TV manuals search

<http://tv.somanuals.com>