

READ AND UNDERSTAND THESE INSTRUCTIONS BEFORE INSTALLING FIXTURE

This fixture is intended for installation in accordance with the National Electrical Code and local regulations. To assure full compliance with local codes and regulations, check with your local electrical inspector before installation. To prevent electrical shock, turn off electricity at fuse box before proceeding.

Retain these instructions for maintenance reference.

INSTRUCTION SHEET NO.

IS:8292CY

A0400

Page 1 of 2

INSTRUCTIONS FOR THE INSTALLATION AND OPERATION OF PowerArc™ CANOPY FIXTURE

INSTRUCTIONS FOR ATTACHING PowerArc CANOPY FIXTURE TO WALL OR CEILING MOUNTED JUNCTION BOX (see FIG's 1 & 2):

1. Turn off power at fuse box before installation.
2. Using the appropriate slots in CROSS-BAR, secure the CROSS-BAR ASSEMBLY to the J-BOX with the J-BOX SCREWS.

NOTE: To lock HORIZONTAL ROTATION, install the ROTATION SCREW into the desired position hole in the CROSS-BAR and tighten (see Fig 2). These holes are located every 45°. This step is necessary only if horizontal locking is desired. Otherwise, rotation screw can be removed.

3. Rotate the HEAD of fixture 90° for easier access to the J-BOX.
4. Feed both FIXTURE LEADS through the EYELET in the center of the CROSS-BAR ASSEMBLY and back out of the J-BOX.
5. Move the FIXTURE MOUNTING BRACKET in direction "A", lining up the 2 top slots on the bracket with the 2 top FIXTURE MOUNTING SCREWS. Once the 2 top slots are inserted, slide the fixture in direction "B" until all 4 slots on the FIXTURE MOUNTING BRACKET engage into all 4 FIXTURE MOUNTING SCREWS. Tighten all 4 FIXTURE MOUNTING SCREWS.
6. Make wiring connections using WIRE NUTS (local hardware item):
 - When installing 120V fixture (**8292WECY**), black FIXTURE LEAD to hot (black) SUPPLY LEAD, white FIXTURE LEAD to neutral (white) SUPPLY LEAD, and FIXTURE GROUND LEAD to SUPPLY ground.
 - When installing 277V fixture (**8292WECY2**), red FIXTURE LEAD to hot SUPPLY LEAD, white FIXTURE LEAD to neutral (white) SUPPLY LEAD, and FIXTURE GROUND LEAD to SUPPLY ground.Once connections have been made, push wires and connections into the J-BOX.
7. Push CANOPY against MOUNTING SURFACE to cover J-BOX.

AIMING ADJUSTMENTS (see Fig 3):

CAUTION: ALLOW TIME FOR FIXTURE TO COOL BEFORE MAKING ANY ADJUSTMENTS!

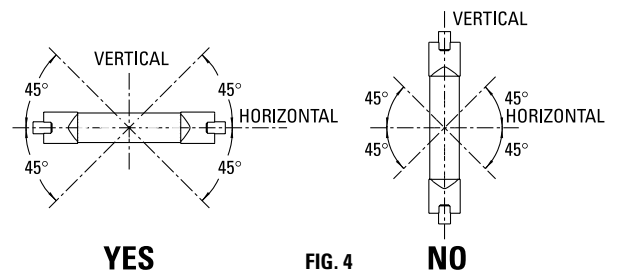
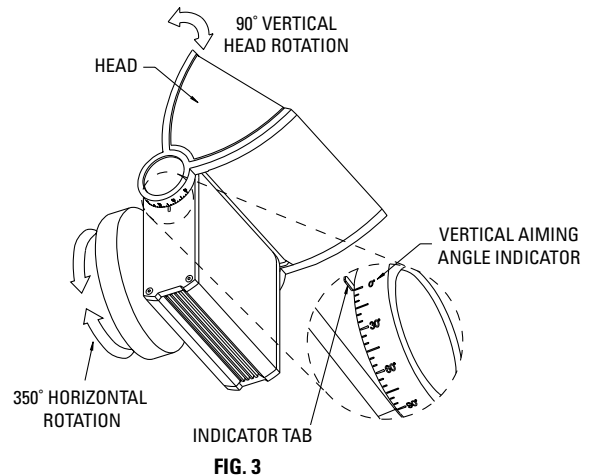
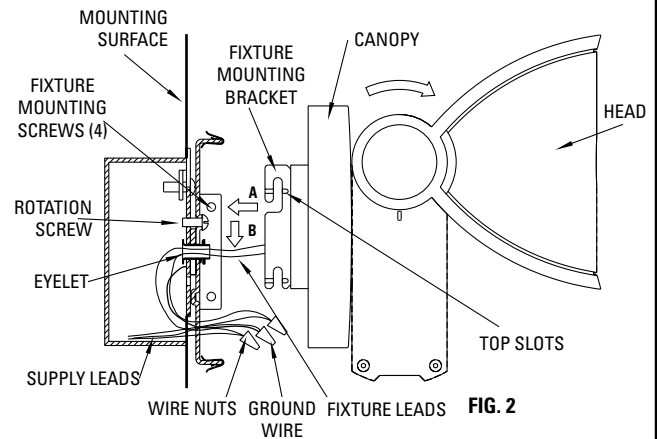
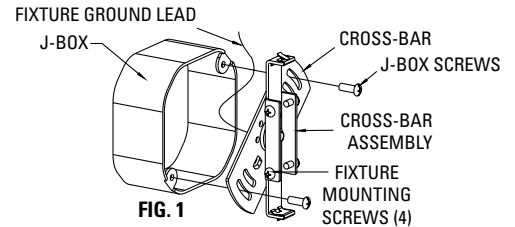
Fixture has both a VERTICAL and a HORIZONTAL ROTATION. It is equipped with stops for both rotations (DO NOT FORCE FIXTURE PAST STOPS. DOING SO MAY CAUSE ELECTRICAL HAZARD).

For Precise AIMING, rotate Head of fixture and line up desired angle on the AIMING INDICATOR with the INDICATOR TAB.

CAUTION: IN ACCORDANCE WITH LAMP MANUFACTURERS INSTRUCTIONS, DO NOT INSTALL PowerArc ON WALL IN A MANNER THAT WOULD POSITION THE LAMP MORE THAN 45° AWAY FROM THE HORIZONTAL PLANE (SEE FIG.4).

INSTRUCTIONS FOR UNLOCKING THE HORIZONTAL ROTATION, ONCE THE PowerArc CANOPY FIXTURE IS FULLY INSTALLED (see FIG's 1, 2 & 3):

1. Turn off power at fuse box before making adjustments.
2. Rotate the HEAD of fixture 90° for easier access to the J-BOX.
3. Reverse steps 7 and 5 from the fixture mounting instructions above.
4. Uninstall the ROTATION SCREW from the CROSS-BAR ASSEMBLY.
5. Repeat steps 5 and 7 from the fixture mounting instructions above.



LIGHTOLIER®

LIGHTOLIER a GENLYTE company.

631 Airport Road, Fall River, MA 02720

READ AND UNDERSTAND THESE INSTRUCTIONS BEFORE INSTALLING FIXTURE

This fixture is intended for installation in accordance with the National Electrical Code and local regulations. To assure full compliance with local codes and regulations, check with your local electrical inspector before installation. To prevent electrical shock, turn off electricity at fuse box before proceeding.

Retain these instructions for maintenance reference.

INSTRUCTION SHEET NO.

IS:8292CY

A0400

Page 2 of 2

INSTRUCTIONS FOR THE INSTALLATION AND OPERATION OF PowerArc™ CANOPY FIXTURE

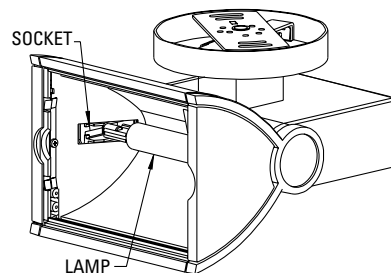
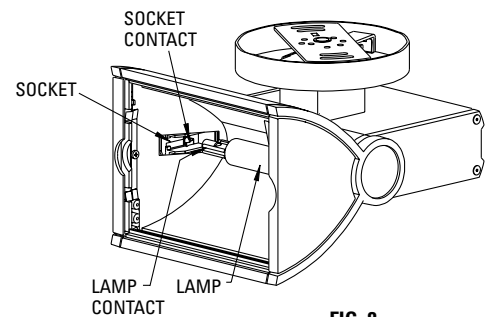
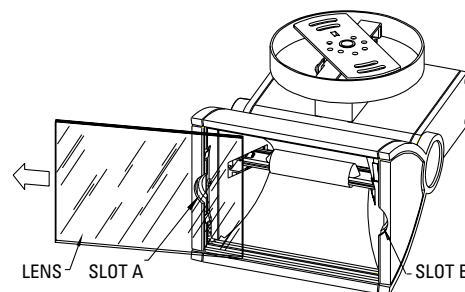
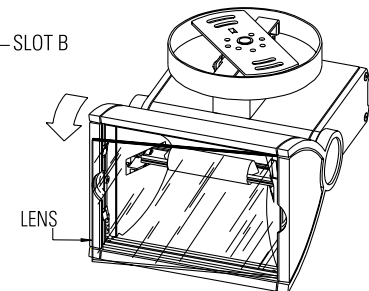
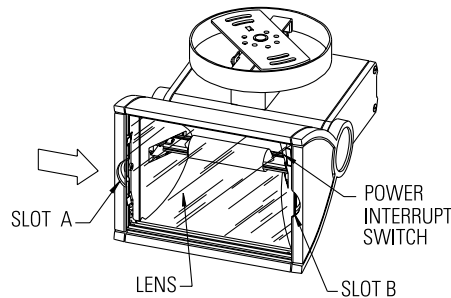
INSTRUCTIONS FOR LAMPING A PowerArc CANOPY FIXTURE:

1. Turn off power to fixture.
2. Remove the LENS by inserting finger into SLOT A and pressing the LENS in the direction of SLOT B (See FIG. 5).
3. Carefully rotate LENS out of SLOT A in the direction shown in FIG. 6.
4. Slide glass out of SLOT B by pulling the LENS in the direction of SLOT A (See FIG. 7).
5. To insert LAMP (70W CDM or CMH T-6 Double Ended Metal Halide M85), carefully push one end of the LAMP CONTACT into one end of the SOCKET CONTACT until the other end of the LAMP can be inserted into the opposite SOCKET (See FIG. 8).

WARNING: ACCORDING TO MANUFACTURER'S INSTRUCTIONS, LAMP SHOULD BE INSERTED IN THE SOCKET WITH A MINIMUM ANGLE OTHERWISE BENDING FORCES WILL RESULT IN LAMP BREAKAGE. ALSO, INSTALL LAMP USING PROTECTIVE PAPER AND DO NOT REMOVE IT UNTIL INSTALLATION IS COMPLETE. IF LAMP IS TOUCHED WITH BARE HANDS, CLEAN LAMP WITH DENATURED ALCOHOL AND WIPE WITH LINT FREE CLOTH.

6. Insure both LAMP CONTACTS are properly seated into the SOCKET CONTACTS (See FIGS. 8 & 9).
7. To re-insert LENS: First insert LENS in SLOT A (side with no switch), carefully push the LENS until you can set it flat to the face of the fixture. Make sure it presses the INTERRUPT SWITCH, then engage LENS into SLOT B.

WARNING: IF USED IMPROPERLY, THIS LAMP CAN CAUSE SERIOUS SKIN BURN AND EYE INFLAMMATION FROM SHORTWAVE ULTRAVIOLET RADIATION. DO NOT OPERATE FIXTURE WITHOUT PROTECTIVE LENS IN PLACE. FIXTURE IS EQUIPPED WITH A POWER INTERRUPT SWITCH TO PREVENT LAMP FROM BEING ENERGIZED WHEN LENS IS REMOVED (SEE FIG. 5). DO NOT ATTEMPT TO DISABLE THIS DEVICE.



LIGHTOLIER® LIGHTOLIER a GENLYTE THOMAS company.
631 Airport Road, Fall River, MA 02720

Free Manuals Download Website

<http://myh66.com>

<http://usermanuals.us>

<http://www.somanuals.com>

<http://www.4manuals.cc>

<http://www.manual-lib.com>

<http://www.404manual.com>

<http://www.luxmanual.com>

<http://aubethermostatmanual.com>

Golf course search by state

<http://golfingnear.com>

Email search by domain

<http://emailbydomain.com>

Auto manuals search

<http://auto.somanuals.com>

TV manuals search

<http://tv.somanuals.com>