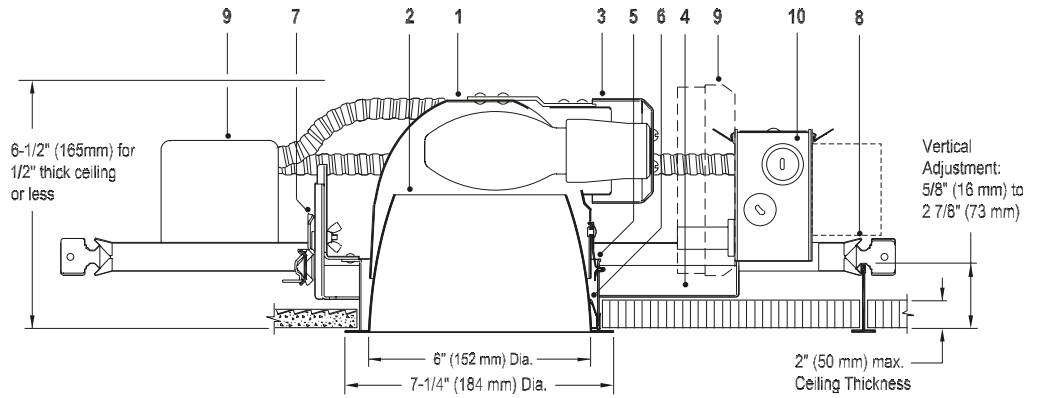
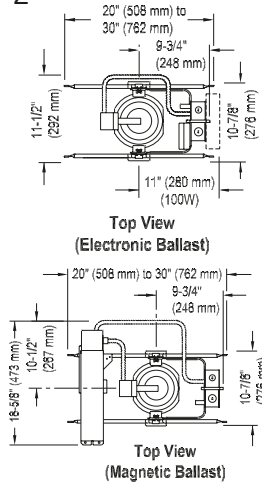




Calculite® HID Downlight C6E170HW

6" Aperture, ED17 (Open Rated), Ceramic Metal Halide, Wide Beam



Ceiling Cutout: 6 9/16" (167 mm) Dia.

Reflector Trim	Frame-In Kit	Lamp (Coated Ceramic, MH)
C6E170HW CLW Specular Clear, White Painted Flange.	C670MHOE1 Electronic, 120V	70W E17, ED17, BD17 (Open Rated)
CLP Specular Clear, Matching Flange.	C670MHOE2 Electronic, 277V	70W E17, ED17, BD17 (Open Rated)
CCDW Comfort Clear Diffuse, White Painted Flange.	C610MHOE1 Electronic, 120V	100W E17, ED17, BD17 (Open Rated)
CCDP Comfort Clear Diffuse, Matching Flange.	C610MHOE2 Electronic, 277V	100W E17, ED17, BD17 (Open Rated)
CCZW Champagne Bronze, White Painted Flange.	C670MHOU Magnetic, 120V/277V	70W E17, ED17, BD17 (Open Rated)
CCZP Champagne Bronze, Matching Flange.	C610MHOU Magnetic, 120V/277V	100W E17, ED17, BD17 (Open Rated)

Features

- Upper Reflector:** Clear anodized aluminum, 0.040" (16-ga.). Provides wide beam distribution; can be removed for accessibility, inspection and maintenance of ballast/junction box assembly.
- Aperture Cone:** Provides 55° visual cut-off to lamp and lamp image; self-flange in painted white or aperture-matching polished flange. Consult factory for other finishes.
- Socket Cup:** Galvanized steel, pre-wired with medium base pulse rated socket. Snaps onto upper reflector for secure attachment without tools; unitized construction assures proper lamp alignment to optics for consistent performance.
- Mounting Frame:** 0.048" (18-ga.) galvanized steel includes pre-installed mounting bars.
- Mounting Ring:** 0.048" (18-ga.) galvanized steel. Designed for vertical adjustment from above or below for ceilings from 0" to 2" thick. Center-line notches allow consistent alignment of multiple fixtures
- Aperture Cone Retention Springs:** Rust resistant springs secure cone in place for quick, tool-less installation.
- Frame Vertical Adjustment Mechanism:** Vertical adjustment mechanism accommodates mounting to virtually any ceiling system using pre-installed mounting bars, or 1/2" EMT tubing (by others). Single locking feature secures all adjustments. Alignment holes and markings allow fixture to be pre-set prior to installation.
- Mounting Bars:** 0.048" (18-ga.) Pre-installed, telescoping bars extend to 30" long and lock securely into position. Built-in locking tabs provide positive attachment to common T-bar systems. Self-centering feature simplifies installation in 24" O.C. grid systems. Attaches to steel or wood joists without accessories.
- Ballast:** Electronic 120V or 277V. Magnetic dual voltage (120V & 277V). Accessible from below for inspection and/or replacement without tools.
- Junction Box:** 0.048" (18-ga.) galvanized steel. UL listed for 8 No. 12 AWG, 90°C through branch circuit conductors; allows inspection from below.
- Thermal Protector:** (Not Shown) Meets NEC and UL requirements. Do not install insulation above nor within 3" (76mm) of any part of the luminaire.

Electrical

Electronic Ballast: 120V or 277V, 50/60 Hz., encased, high-power factor, T.H.D. <15%, thermally and transient protected, RMI / RFI complies with FCC Part 18 non-consumer equipment, shut-down circuit at end of lamp life, sound rating "A", -5°F minimum starting temperature, Type 1 outdoor rating.

Electrical (cont.)

Ballast	ANSI Code	Voltage	Max. Amps	Input Watts
70W MH	M98/M139	120/277	0.67/0.29	78
100W MH	M90/M140	120/277	0.90/0.43	110

Magnetic Ballast: 120/277V dual voltage, 60 Hz., encased and potted, HX-HPF circuit type, high power factor, sound rating "B", -20°F minimum starting temperature, Type 1 Outdoor rating.

Ballast	ANSI Code	Voltage	Max. Amps	Input Watts
70W MH	M98/M143	120/277	1.90/0.80	94
100W MH	M90/M140	120/277	2.40/1.10	125

Options and Accessories

- Auxiliary:** Add suffix **A** to Frame-In Kit and Reflector Trim. See Spec.Sheet "A/E"
- Emergency Lamp:** Add suffix **E** to FIK and Reflector Trim. See Spec.Sheet "A/E"
- Slope Ceiling Adapters:** See Specification Sheet SCA.
- Fuse (magnetic ballast):** Add suffix **F1** or **F2** to Frame-In Kit (F1=120V F2=277V)
- Chicago Plenum:** Consult Factory.

Labels

UL (Suitable for Damp Locations), CSA, I.B.E.W.

For 100W Electronic, install fixtures with minimum spacing: 2 feet from center-to-center of adjacent luminaires; 1/2 inch from top of luminaire to overhead building member; 1 foot from luminaire center to side building member.

Job Information	Type:
Job Name:	
Cat. No.:	
Lamp(s):	
Notes:	

Lightolier a Genlyte Thomas Company www.lightolier.com
 631 Airport Road, Fall River, MA 02720 • (508) 679-8131 • Fax (508) 674-4710
 We reserve the right to change details of design, materials and finish.

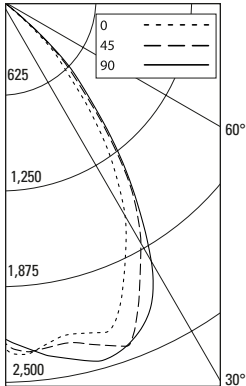
LIGHTOLIER®



Calculite® HID Open Downlight C6E170HW

70W ED17 OPEN RATED PHILIPS CMH LAMP, LUMEN RATING = 5700 LMS, ELECTRONIC AROMAT BALLAST, CL FINISH TRIM

CANDLEPOWER DISTRIBUTION



ANGLE	0°	45°	90°
0	2199	2199	2199
5	2316	2307	2295
10	2239	2285	2376
15	2254	2332	2445
20	2217	2409	2409
25	1925	2146	2280
30	1631	1837	1973
35	1255	1477	1508
40	842	1004	1050
45	526	628	686
50	177	251	255
55	20	23	28
60	6	6	6
65	2	3	3
70	1	1	2
75	0	1	0
80	0	1	0
85	0	0	0
90	0	0	0

LUMINANCE SUMMARY - CD. / SQ. M.

ANGLE	0°	45°	90°
45	40771	48897	53373
55	1947	2203	2684
65	291	382	337
75	73	219	73
85	0	0	0

ZONAL LUMENS AND PERCENTAGES			
ZONE	LUMENS	% LAMP	% LUMINAIRE
0-30	1849	32.45	56.6
0-40	2728	47.86	83.47
0-60	3263	57.26	99.87
0-90	3268	57.34	100
40-90	540	9.48	16.53
60-90	4	0.08	0.13
90-180	0	0	0
0-180	3268	57.34	100

Coefficients of Utilization

CEILING	80%				70%		50%		30%		0
	70	50	30	10	50	10	50	10	50	10	
WALL											
RCR											
0	.68	.68	.68	.68	.67	.67	.64	.64	.61	.61	.57
1	.65	.64	.62	.61	.63	.60	.60	.58	.58	.57	.54
2	.62	.60	.58	.56	.59	.55	.57	.54	.55	.53	.51
3	.59	.56	.53	.51	.55	.50	.53	.50	.52	.49	.47
4	.56	.52	.49	.47	.52	.47	.50	.46	.49	.46	.44
5	.53	.49	.45	.43	.48	.43	.47	.43	.46	.42	.41
6	.51	.46	.42	.40	.45	.40	.44	.40	.44	.39	.38
7	.48	.43	.39	.37	.42	.37	.41	.36	.41	.36	.35
8	.45	.40	.36	.34	.39	.34	.39	.34	.38	.33	.32
9	.42	.37	.33	.31	.36	.31	.36	.31	.35	.31	.30
10	.40	.34	.31	.28	.34	.28	.33	.28	.33	.28	.27

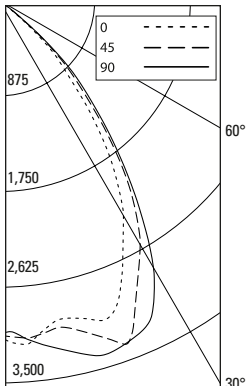
LUMINAIRE INPUT WATTS = 78

** EFFICIENCY = 57.3% **
SC = 1.2

CERTIFIED TEST REPORT NO. 2380FR, DATE: NOV 22, 2003
COMPUTED BY LSI PROGRAM **TEST-LITE**

100W ED17 OPEN RATED CMH LAMP, LUMEN RATING = 8500 LMS, ELECTRONIC AROMAT BALLAST, CL FINISH TRIM

CANDLEPOWER DISTRIBUTION



ANGLE	0°	45°	90°
0	3063	3063	3063
5	3152	3102	3117
10	2979	3043	3239
15	3014	3150	3364
20	3044	3348	3351
25	2675	2970	3248
30	2276	2582	2824
35	1783	2072	2163
40	1214	1447	1530
45	760	915	1005
50	271	361	397
55	24	27	42
60	3	5	6
65	1	2	1
70	0	0	0
75	0	0	0
80	0	0	0
85	0	0	0
90	0	0	0

LUMINANCE SUMMARY - CD. / SQ. M.

ANGLE	0°	45°	90°
45	58940	71209	78198
55	2321	2601	4064
65	146	294	147
75	0	0	0
85	0	0	0

ZONAL LUMENS AND PERCENTAGES			
ZONE	LUMENS	% LAMP	% LUMINAIRE
0-30	2550	30.01	55.79
0-40	3796	44.66	83.04
0-60	4569	53.76	99.95
0-90	4571	53.79	100
40-90	775	9.12	16.96
60-90	2	0.02	0.05
90-180	0	0	0
0-180	4571	53.79	100

Coefficients of Utilization

CEILING	80%				70%		50%		30%		0
	70	50	30	10	50	10	50	10	50	10	
WALL											
RCR											
0	.64	.64	.64	.64	.63	.63	.60	.60	.57	.57	.54
1	.61	.60	.58	.57	.59	.56	.56	.55	.54	.53	.51
2	.58	.56	.54	.52	.55	.51	.53	.50	.52	.49	.47
3	.55	.52	.50	.48	.51	.47	.50	.46	.49	.46	.44
4	.53	.49	.46	.44	.48	.44	.47	.43	.46	.43	.41
5	.50	.46	.42	.40	.45	.40	.44	.40	.43	.39	.38
6	.47	.43	.39	.37	.42	.37	.41	.37	.41	.37	.36
7	.45	.40	.36	.34	.39	.34	.39	.34	.38	.34	.33
8	.42	.37	.34	.31	.36	.31	.36	.31	.35	.31	.30
9	.40	.34	.31	.29	.34	.29	.33	.28	.33	.28	.28
10	.37	.32	.28	.26	.32	.26	.31	.26	.31	.26	.25

LUMINAIRE INPUT WATTS = 110

** EFFICIENCY = 53.8% **
SC = 1.3

CERTIFIED TEST REPORT NO. 2381FR, DATE: MAR 21, 2004
COMPUTED BY LSI PROGRAM **TEST-LITE**

LIGHTOLIER

Job Information Type:

Lightolier a Genlyte Thomas Company www.lightolier.com
631 Airport Road, Fall River, MA 02720 • (508) 679-8131 • Fax (508) 674-4710
We reserve the right to change details of design, materials and finish.

Free Manuals Download Website

<http://myh66.com>

<http://usermanuals.us>

<http://www.somanuals.com>

<http://www.4manuals.cc>

<http://www.manual-lib.com>

<http://www.404manual.com>

<http://www.luxmanual.com>

<http://aubethermostatmanual.com>

Golf course search by state

<http://golfingnear.com>

Email search by domain

<http://emailbydomain.com>

Auto manuals search

<http://auto.somanuals.com>

TV manuals search

<http://tv.somanuals.com>