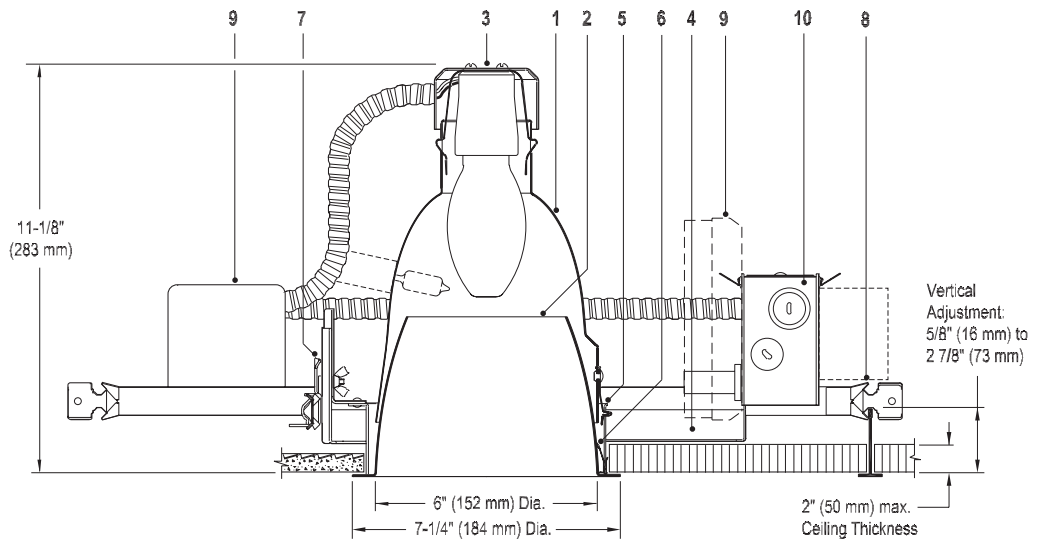
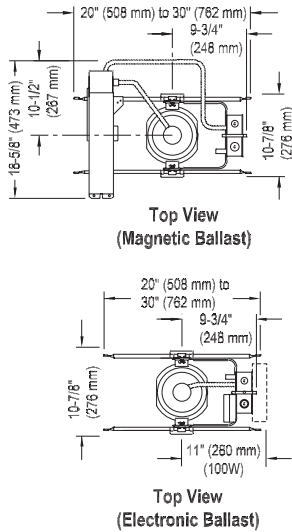




Calculite® HID Downlight C6E170VW



Ceiling Cutout: 6 9/16" (167 mm) Dia.

| Reflector Trim | Frame-In Kit | Lamp (Coated, Ceramic MH) |
|---|-------------------------------------|-----------------------------------|
| C6E170VW CLW Specular Clear, White Painted Flange. | C670MHOE1 Electronic, 120V | 70W E17, ED17, BD17 (Open Rated) |
| CLP Specular Clear, Matching Flange. | C670MHOE2 Electronic, 277V | 70W E17, ED17, BD17 (Open Rated) |
| CCDW Comfort Clear Diffuse, White Painted Flange. | C610MHOE1 Electronic, 120V | 100W E17, ED17, BD17 (Open Rated) |
| CCDP Comfort Clear Diffuse, Matching Flange. | C610MHOE2 Electronic, 277V | 100W E17, ED17, BD17 (Open Rated) |
| CCZW Champagne Bronze, White Painted Flange. | C670MHOE Magnetic, 120V/277V | 70W E17, ED17, BD17 (Open Rated) |
| CCZP Champagne Bronze, Matching Flange. | C610MHOE Magnetic, 120V/277V | 100W E17, ED17, BD17 (Open Rated) |

Features

- Upper Reflector:** Clear anodized aluminum, 0.040" (16-ga.). Provides wide beam distribution.
- Aperture Cone:** Provides 50° visual cut-off to lamp and lamp image; self-flange in painted white or aperture-matching polished flange. Consult factory for other finishes.
- Socket Cup:** Galvanized steel, pre-wired with medium base pulse rated socket. Snaps onto upper reflector for secure attachment without tools; unitized construction assures proper lamp alignment to optics for consistent performance.
- Mounting Frame:** 0.048" (18-ga.) galvanized steel includes pre-installed mounting bars.
- Mounting Ring:** 0.048" (18-ga.) galvanized steel. Designed for vertical adjustment from above or below for ceilings from 0" to 2" thick. Center-line notches allow consistent alignment of multiple fixtures.
- Aperture Cone Retention Springs:** Rust resistant springs secure cone in place for quick, tool-less installation.
- Frame Vertical Adjustment Mechanism:** Vertical adjustment mechanism accommodates mounting to virtually any ceiling system using pre-installed mounting bars, or 1/2" EMT tubing (by others). Single locking feature secures all adjustments. Alignment holes and markings allow fixture to be pre-set prior to installation.
- Mounting Bars:** 0.048" (18-ga.) Pre-installed, telescoping bars extend to 30" long and lock securely into position. Built-in locking tabs provide positive attachment to common T-bar systems. Self-centering feature simplifies installation in 24" O.C. grid systems. Attaches to steel or wood joists without accessories.
- Ballast:** Electronic 120V or 277V. Magnetic dual voltage (120V & 277V). Accessible from below for inspection and/or replacement without tools.
- Junction Box:** 0.048" (18-ga.) galvanized steel. UL listed for 8 No. 12 AWG, 90°C through branch circuit conductors; allows inspection from below.
- Thermal Protector:** (Not Shown) Meets NEC and UL requirements. Do not install insulation above nor within 3" (76mm) of any part of the luminaire.

Electrical

Electronic Ballast: 120V or 277V, 50/60 Hz., enclosed, high-power factor, T.H.D. <15%, thermally and transient protected, RMI / RFI complies with FCC Part 18 non-consumer equipment, shut-down circuit at end of lamp life, sound rating "A", -5°F minimum starting temperature, Type 1 outdoor rating.

Electrical (cont)

| Ballast | ANSI Code | Voltage | Max. Amps | Input Watts |
|---------|-----------|---------|-----------|-------------|
| 70W MH | M98/M139 | 120/277 | 0.67/0.29 | 78 |
| 100W MH | M90/M140 | 120/277 | 0.90/0.43 | 110 |

Magnetic Ballast: 120/277V dual voltage, 60 Hz., enclosed and potted, HX-HPF circuit type, high power factor, sound rating "B", -20°F minimum starting temperature, Type 1 Outdoor rating.

| Ballast | ANSI Code | Voltage | Max. Amps | Input Watts |
|---------|-----------|---------|-----------|-------------|
| 70W MH | M98/M143 | 120/277 | 1.90/0.80 | 94 |
| 100W MH | M90/M140 | 120/277 | 0.90/0.43 | 125 |

Options and Accessories

Auxiliary: Add suffix **A** to Frame-In Kit and Reflector Trim. See Spec.Sheet "A/E"

Emergency Lamp: Add suffix **E** to FIK and Reflector Trim. See Spec.Sheet "A/E"

Slope Ceiling Adapters: See Specification Sheet SCA.

Fuse (magnetic ballast): Add suffix **F1** or **F2** to FIK (F1=120V F2=277V)

Chicago Plenum: Consult Factory.

Labels

UL (Suitable for Damp Locations), CSA, I.B.E.W.

| Job Information | Type: |
|-----------------|-------|
| Job Name: | |
| Cat. No.: | |
| Lamp(s): | |
| Notes: | |

Lightolier a Genlyte Thomas Company www.lightolier.com
 631 Airport Road, Fall River, MA 02720 • (508) 679-8131 • Fax (508) 674-4710
 We reserve the right to change details of design, materials and finish.

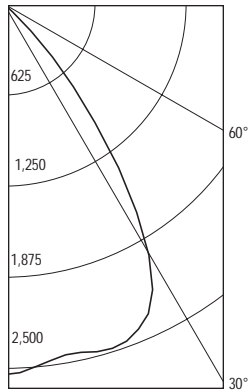
LIGHTOLIER®



Calculite® HID Downlight C6E170VW

70W ED17 PHILIPS COATED METAL HALIDE LAMP-3K. LUMEN RATING = 5700 LMS, ELECTRONIC AROMAT BALLAST, CL FINISH REFLECTOR

CANDLEPOWER DISTRIBUTION



| ANGLE | MEAN CP | LUMS. |
|-------|---------|-------|
| 0 | 2543 | |
| 5 | 2498 | 238 |
| 10 | 2444 | |
| 15 | 2470 | 698 |
| 20 | 2462 | |
| 25 | 2345 | 1058 |
| 30 | 1990 | |
| 35 | 1373 | 860 |
| 40 | 742 | |
| 45 | 264 | 249 |
| 50 | 19 | |
| 55 | 3 | 6 |
| 60 | 1 | |
| 65 | 0 | 0 |
| 70 | 0 | |
| 75 | 0 | 0 |
| 80 | 0 | |
| 85 | 0 | 0 |
| 90 | 0 | |

LUMINANCE SUMMARY - CD. / SQ. M.

| ANGLE | MEAN CD/SQ M |
|-------|--------------|
| 45 | 20520 |
| 55 | 307 |
| 65 | 0 |
| 75 | 0 |
| 85 | 0 |

| ZONAL LUMENS AND PERCENTAGES | | | |
|------------------------------|--------|--------|------------|
| ZONE | LUMENS | % LAMP | %LUMINAIRE |
| 0-30 | 1993 | 34.98 | 64.12 |
| 0-40 | 2854 | 50.07 | 91.78 |
| 0-60 | 3109 | 54.55 | 99.99 |
| 0-90 | 3109 | 54.56 | 100.00 |
| 40-90 | 255 | 4.48 | 8.22 |
| 60-90 | 0 | 0 | 0.01 |
| 90-180 | 0 | 0 | 0 |
| 0-180 | 3109 | 54.56 | 100.00 |

Coefficients of Utilization

| CEILING | 80% | | | | 70% | | 50% | | 30% | | 0 |
|---------|--|-----|-----|-----|-----|-----|-----|-----|-----|-----|-----|
| | 70 | 50 | 30 | 10 | 50 | 10 | 50 | 10 | 50 | 10 | |
| WALL | Zonal Cavity Method - Effective Floor Cavity Reflectance = 20% | | | | | | | | | | |
| RCR | Zonal Cavity Method - Effective Floor Cavity Reflectance = 20% | | | | | | | | | | |
| 0 | .65 | .65 | .65 | .65 | .63 | .63 | .61 | .61 | .58 | .58 | .55 |
| 1 | .62 | .61 | .60 | .59 | .60 | .58 | .58 | .56 | .56 | .54 | .52 |
| 2 | .60 | .57 | .55 | .54 | .56 | .53 | .55 | .52 | .53 | .51 | .49 |
| 3 | .57 | .54 | .52 | .50 | .53 | .49 | .52 | .49 | .51 | .48 | .46 |
| 4 | .55 | .51 | .48 | .46 | .50 | .46 | .49 | .45 | .48 | .45 | .44 |
| 5 | .52 | .48 | .45 | .43 | .47 | .43 | .46 | .42 | .46 | .42 | .41 |
| 6 | .50 | .45 | .42 | .40 | .45 | .40 | .44 | .40 | .43 | .40 | .39 |
| 7 | .47 | .43 | .40 | .38 | .42 | .37 | .41 | .37 | .41 | .37 | .36 |
| 8 | .45 | .40 | .37 | .35 | .40 | .35 | .39 | .35 | .39 | .34 | .34 |
| 9 | .42 | .37 | .34 | .32 | .37 | .32 | .37 | .32 | .36 | .32 | .31 |
| 10 | .40 | .35 | .32 | .30 | .35 | .30 | .34 | .30 | .34 | .30 | .29 |

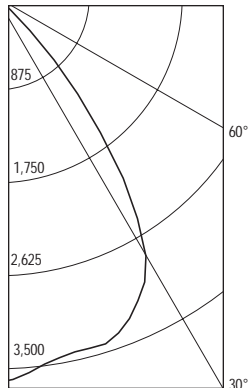
LUMINAIRE INPUT WATTS = 78

** EFFICIENCY = 54.6%
SC = 1.0

CERTIFIED TEST REPORT NO. 2540FR, DATE: NOV 8, 2003
S/MH = 1.2
COMPUTED BY LSI PROGRAM **TEST-LITE**

100W ED17 PHILIPS COATED METAL HALIDE LAMP-3K LUMEN RATING = 8500 LMS. ELECTRONIC BALLAST, CL FINISH REFLECTOR

CANDLEPOWER DISTRIBUTION



| ANGLE | MEAN CP | LUMS. |
|-------|---------|-------|
| 0 | 36 | 30 |
| 5 | 3549 | 338 |
| 10 | 3446 | |
| 15 | 3421 | 968 |
| 20 | 3365 | |
| 25 | 3154 | 1445 |
| 30 | 2817 | |
| 35 | 2083 | 1284 |
| 40 | 1192 | |
| 45 | 448 | 417 |
| 50 | 68 | |
| 55 | 19 | 25 |
| 60 | 8 | |
| 65 | 5 | 5 |
| 70 | 2 | |
| 75 | 0 | 1 |
| 80 | 0 | |
| 85 | 0 | 0 |
| 90 | 0 | |

LUMINANCE SUMMARY - CD. / SQ. M.

| ANGLE | MEAN CD/SQ M |
|-------|--------------|
| 45 | 34835 |
| 55 | 1782 |
| 65 | 658 |
| 75 | 0 |
| 85 | 0 |

| ZONAL LUMENS AND PERCENTAGES | | | |
|------------------------------|--------|--------|------------|
| ZONE | LUMENS | % LAMP | %LUMINAIRE |
| 0-30 | 2751 | 32.37 | 61.37 |
| 0-40 | 4034 | 47.47 | 90.01 |
| 0-60 | 4477 | 52.67 | 99.88 |
| 0-90 | 4482 | 52.74 | 100 |
| 40-90 | 447 | 5.27 | 9.99 |
| 60-90 | 5 | 0.06 | 0.12 |
| 90-180 | 0 | 0 | 0 |
| 0-180 | 4482 | 52.74 | 100 |

Coefficients of Utilization

| CEILING | 80% | | | | 70% | | 50% | | 30% | | 0 |
|---------|--|-----|-----|-----|-----|-----|-----|-----|-----|-----|-----|
| | 70 | 50 | 30 | 10 | 50 | 10 | 50 | 10 | 50 | 10 | |
| WALL | Zonal Cavity Method - Effective Floor Cavity Reflectance = 20% | | | | | | | | | | |
| RCR | Zonal Cavity Method - Effective Floor Cavity Reflectance = 20% | | | | | | | | | | |
| 0 | .63 | .63 | .63 | .63 | .61 | .61 | .59 | .59 | .56 | .56 | .53 |
| 1 | .60 | .59 | .58 | .56 | .58 | .56 | .55 | .54 | .54 | .52 | .50 |
| 2 | .57 | .55 | .53 | .52 | .54 | .51 | .53 | .50 | .51 | .49 | .47 |
| 3 | .55 | .52 | .50 | .48 | .51 | .47 | .50 | .47 | .49 | .46 | .44 |
| 4 | .52 | .49 | .46 | .44 | .48 | .44 | .47 | .43 | .46 | .43 | .42 |
| 5 | .50 | .46 | .43 | .41 | .45 | .41 | .44 | .40 | .44 | .40 | .39 |
| 6 | .48 | .43 | .40 | .38 | .43 | .38 | .42 | .38 | .41 | .38 | .37 |
| 7 | .45 | .40 | .38 | .35 | .40 | .35 | .39 | .35 | .39 | .35 | .34 |
| 8 | .43 | .38 | .35 | .33 | .37 | .33 | .37 | .33 | .37 | .32 | .32 |
| 9 | .40 | .35 | .32 | .30 | .35 | .30 | .35 | .30 | .34 | .30 | .29 |
| 10 | .38 | .33 | .30 | .28 | .33 | .28 | .32 | .28 | .32 | .28 | .27 |

LUMINAIRE INPUT WATTS = 110

** EFFICIENCY = 52.7% **
SC = 1.1

CERTIFIED TEST REPORT NO. 2338FR, DATE: OCT 19, 2003
S/MH = 1.2
COMPUTED BY LSI PROGRAM **TEST-LITE**

LIGHTOLIER®

Job Information Type:

Lightolier a Genlyte Thomas Company www.lightolier.com
631 Airport Road, Fall River, MA 02720 • (508) 679-8131 • Fax (508) 674-4710
We reserve the right to change details of design, materials and finish.

Free Manuals Download Website

<http://myh66.com>

<http://usermanuals.us>

<http://www.somanuals.com>

<http://www.4manuals.cc>

<http://www.manual-lib.com>

<http://www.404manual.com>

<http://www.luxmanual.com>

<http://aubethermostatmanual.com>

Golf course search by state

<http://golfingnear.com>

Email search by domain

<http://emailbydomain.com>

Auto manuals search

<http://auto.somanuals.com>

TV manuals search

<http://tv.somanuals.com>