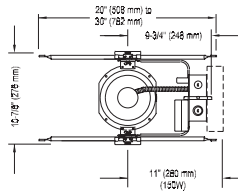
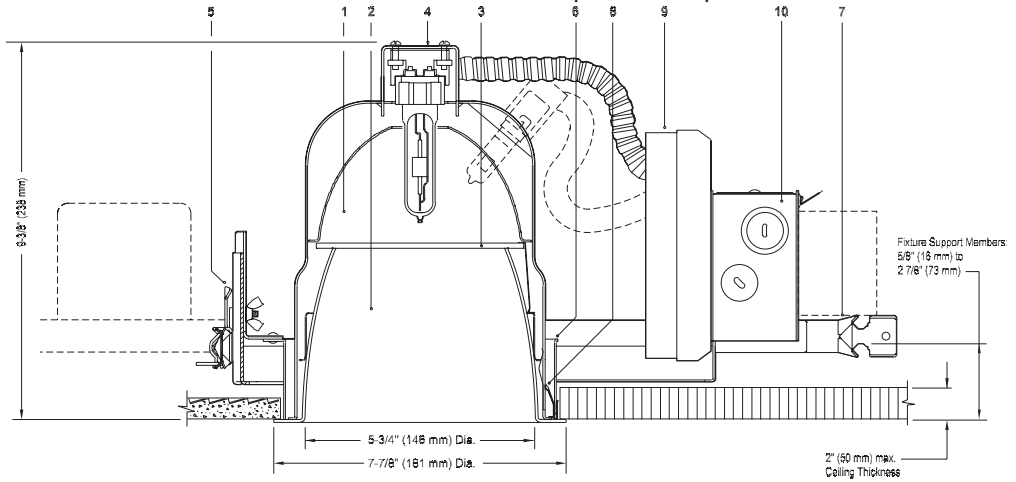


Top View: Magnetic Ballast



Top View: Electronic Ballast  
Ceiling Cutout: 6 9/16" (167 mm) Dia.



### Reflector Trim

<b>C6T6VN</b>	<b>CLW</b>	Specular Clear, White Painted Flange.
	<b>CLP</b>	Specular Clear, Matching Flange.
	<b>CCDW</b>	Comfort Clear Diffuse, White Painted Flange.
	<b>CCDP</b>	Comfort Clear Diffuse, Matching Flange.
	<b>CCZW</b>	Champagne Bronze, White Painted Flange.
	<b>CCZP</b>	Champagne Bronze, Matching Flange.

### Frame-In Kit

<b>C639T6E1</b>	Electronic 120V	39W T6	Ceramic Metal Halide
<b>C639T6E2</b>	Electronic 277V	39W T6	Ceramic Metal Halide
<b>C670T6E1</b>	Electronic 120V	70W T6	Ceramic Metal Halide
<b>C670T6E2</b>	Electronic 277V	70W T6	Ceramic Metal Halide
<b>C615T6E1</b>	Electronic 120V	150W T6	Ceramic Metal Halide
<b>C615T6E2</b>	Electronic 277V	150W T6	Ceramic Metal Halide
<b>C615T6U</b>	Magnetic 120V/277V	150W T6	Ceramic Metal Halide

### Lamp

### Features

- Upper Reflector:** Clear anodized aluminum, 0.040" (16-ga.). Provides narrow beam optics ideal for high ceilings. Also available in medium and wide beam, see C4T4VM and C4T4VW specification sheets.
- Aperture Cone:** Provides 50° visual cut-off to lamp and lamp image; self-flange in painted white or aperture-matching polished flange. Consult factory for other finishes.
- Lamp Shield:** High-temperature glass as required by code, captive during re-lamping. Light diffusion provides exceptionally smooth beam.
- Socket Housing:** Galvanized steel, pre-wired with G12 pulse rated socket. Snaps onto upper reflector for secure attachment without tools; assures proper lamp alignment to optics for consistent performance.
- Mounting Frame:** 0.048" (18-ga.) galvanized steel. Vertical adjustment mechanism accommodates mounting to virtually any ceiling system using mounting bars (provided, or 1/2" EMT tubing (by others). Single locking feature secures all adjustments. Alignment holes and markings allow fixture to be preset prior to installation.
- Mounting Ring:** 0.048" (18-ga.) galvanized steel. Designed for vertical adjustment from above or below for ceilings from 0" to 2" thick. Center-line notches allow consistent alignment of multiple fixtures.
- Mounting Bars:** 0.048" (18-ga.) pre-installed, telescoping bars extend to 30" long and lock securely into position. Built-in locking tabs provide positive attachment to common T-bar systems. Self-centering feature simplifies installation in 24" O.C. grid systems. Attaches to steel or wood joists without accessories.
- Trim Retention Springs:** Rust resistant springs secure reflector/housing for quick, tool-less installation.
- Ballast / Socket Housing / Cover Assembly:** Snaps onto junction box without tools for inspection and ballast replacement, accessible from below.
- Junction Box:** 0.048" (18-ga.) galvanized steel. UL listed for 8 No. 12 AWG, 90°C through branch circuit conductors. Allows inspection from below.
- Thermal Protector:** (Not Shown) Meets NEC and UL requirements. Do not install insulation above nor within 3" (76mm) of any part of the luminaire.

### Electrical

**Electronic Ballast:** 120 or 277V, 50/60 Hz., enclosed, high power factor, T.H.D. <15%, thermally and transient protected, RMI/RFI complies with FCC Part 18 non-consumer equipment, shut-down circuit at end of lamp life, sound rating "A", -5°F (-20°F for 150W) minimum starting temperature, Type 1 outdoor rating.

### Electrical (cont.)

**150W Magnetic Ballast:** 120/277V dual voltage, 60 Hz., enclosed and potted, HX-HPF circuit type, high power factor, sound rating "B", -20°F minimum starting temperature, Type 1 Outdoor rating.

Ballast	ANSI Code	Voltage	Max. Amps	Input Watts
39W MH	M130	120/277	0.39/0.17	44
70W MH	M139	120/277	0.67/0.29	78
150W MH	M142	120/277	1.40/0.60	169/166
*150W MH	M142	120/277	3.70/1.60	180

\*Magnetic Ballast

### Options and Accessories

**Auxiliary:** Add suffix **A** to Frame-In Kit and Reflector Trim. See Spec. Sheet "A/E". For 277 electronic consult factory

**Emergency:** Add suffix **E** to Reflector Trim and Frame-In Kit. See Spec. Sheet "A/E".

**Slope Ceiling Adapters:** See Specification Sheet SCA.

**Chicago Plenum:** Consult Factory.

### Labels

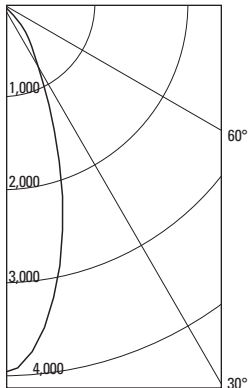
cULus (Suitable for Damp Locations), I.B.E.W. For 150W, install fixtures with minimum spacing; 3 feet from center-to center of adjacent luminaires, 3" from top of luminaire to overhead building member; 1 1/2 feet from luminaire center to side building member.

Job Information	Type:
<b>Job Name:</b>	
<b>Cat. No.:</b>	
<b>Lamp(s):</b>	
<b>Notes:</b>	

631 Airport Road, Fall River, MA 02720 • (508) 679-8131 • Fax (508) 674-4710  
We reserve the right to change details of design, materials and finish.  
www.lightolier.com © 2008 Philips Group • B1204

### 39W T6 PHILIPS METAL HALIDE LAMP. LUMEN RATING = 3400 LMS. AROMAT ELECTRONIC BALLAST, CL Finish

#### CANDLEPOWER DISTRIBUTION



ANGLE	MEAN CP	LUMENS
0	3984	
5	3765	352
10	3218	
15	2533	716
20	1816	
25	1212	583
30	795	
35	570	368
40	407	
45	189	155
50	14	
55	2	4
60	0	
65	0	0
70	0	
75	1	1
80	0	
85	0	0
90	0	

LUMINANCE SUMMARY	
CD. / SQ. M.	
ANGLE	MEAN CD/SQ M
45	16034
55	175
65	0
75	162
85	0

ZONAL LUMENS AND PERCENTAGES			
ZONE	LUMENS	% LAMP	% LUMINAIRE
0-30	1650	48.53	75.77
0-40	2017	59.35	92.67
0-60	2176	64.02	99.96
0-90	2177	64.05	100.00
40-90	159	4.70	7.33
60-90	0	.02	.04
90-180	0	.00	.00
0-180	2177	64.05	100.00

#### Coefficients of Utilization

CEILING	80%				70%		50%		30%		0
	70	50	30	10	50	10	50	10	50	10	
WALL	Zonal Cavity Method - Effective Floor Cavity Reflectance = 20%										
RCR											
0	.76	.76	.76	.76	.74	.74	.71	.71	.68	.68	.64
1	.73	.72	.71	.70	.71	.68	.68	.66	.66	.64	.61
2	.71	.68	.66	.65	.67	.64	.65	.63	.63	.61	.59
3	.68	.65	.63	.61	.64	.60	.63	.59	.61	.58	.57
4	.66	.62	.59	.57	.61	.57	.60	.56	.59	.56	.54
5	.63	.59	.56	.54	.59	.54	.57	.53	.57	.53	.52
6	.61	.57	.54	.52	.56	.51	.55	.51	.55	.51	.50
7	.59	.54	.51	.49	.54	.49	.53	.49	.52	.48	.47
8	.57	.52	.49	.47	.51	.46	.51	.46	.50	.46	.45
9	.54	.49	.46	.44	.49	.44	.48	.44	.48	.44	.43
10	.52	.47	.44	.42	.47	.42	.46	.42	.46	.42	.41

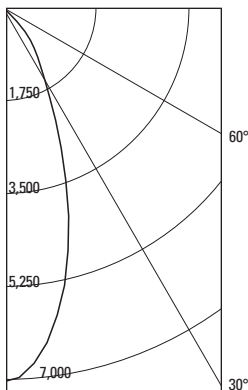
LUMINAIRE INPUT WATTS = 44

\*\* EFFICIENCY = 64.0% \*\*  
SC = 0.6

CERTIFIED TEST REPORT NO. 2336FR, DATE: OCT 24, 2003  
COMPUTED BY LSI PROGRAM \*\*TEST-LITE\*\*

### 70W T6 PHILIPS METAL HALIDE LAMP. LUMEN RATING = 6600 LMS. AROMAT ELECTRONIC BALLAST, CL Finish

#### CANDLEPOWER DISTRIBUTION



ANGLE	MEAN CP	LUMENS
0	7054	
5	6730	630
10	5887	
15	4740	1334
20	3463	
25	2357	1129
30	1584	
35	1148	737
40	812	
45	377	310
50	33	
55	7	11
60	4	
65	2	2
70	0	
75	0	0
80	0	
85	0	0
90	0	

LUMINANCE SUMMARY	
CD. / SQ. M.	
ANGLE	MEAN CD/SQ M
45	31949
55	688
65	350
75	0
85	0

ZONAL LUMENS AND PERCENTAGES			
ZONE	LUMENS	% LAMP	% LUMINAIRE
0-30	3093	46.88	74.48
0-40	3830	58.04	92.22
0-60	4151	62.91	99.95
0-90	4153	62.94	100.00
40-90	323	4.89	7.78
60-90	2	.03	.05
90-180	0	.00	.00
0-180	4153	62.94	100.00

#### Coefficients of Utilization

CEILING	80%				70%		50%		30%		0
	70	50	30	10	50	10	50	10	50	10	
WALL	Zonal Cavity Method - Effective Floor Cavity Reflectance = 20%										
RCR											
0	.75	.75	.75	.75	.73	.73	.70	.70	.67	.67	.63
1	.72	.71	.69	.68	.70	.67	.67	.65	.67	.65	.60
2	.69	.67	.65	.63	.66	.63	.64	.61	.62	.60	.58
3	.67	.64	.61	.59	.63	.59	.61	.58	.60	.57	.55
4	.64	.61	.58	.56	.60	.56	.59	.55	.58	.54	.53
5	.62	.58	.55	.53	.57	.52	.56	.52	.55	.52	.50
6	.60	.55	.52	.50	.55	.50	.54	.50	.53	.49	.48
7	.57	.53	.50	.48	.52	.47	.51	.47	.51	.47	.46
8	.55	.50	.47	.45	.50	.45	.49	.45	.49	.45	.44
9	.53	.48	.45	.43	.47	.43	.47	.42	.46	.42	.41
10	.51	.46	.43	.40	.45	.40	.45	.40	.44	.40	.39

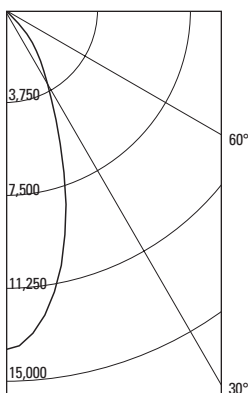
LUMINAIRE INPUT WATTS = 78

\*\* EFFICIENCY = 62.9% \*\*  
SC = 0.6

CERTIFIED TEST REPORT NO. 2334FR, DATE: OCT 14, 2003  
COMPUTED BY LSI PROGRAM \*\*TEST-LITE\*\*

### 150W T6 PHILIPS METAL HALIDE LAMP. LUMEN RATING = 14000 LMS. AROMAT ELECTRONIC BALLAST, CL Finish

#### CANDLEPOWER DISTRIBUTION



ANGLE	MEAN CP	LUMENS
0	13758	
5	13134	1232
10	11593	
15	9424	2655
20	7028	
25	4935	2359
30	3491	
35	2551	1627
40	1766	
45	816	671
50	70	
55	12	22
60	4	
65	7	5
70	3	
75	1	2
80	0	
85	0	0
90	0	

LUMINANCE SUMMARY	
CD. / SQ. M.	
ANGLE	MEAN CD/SQ M
45	69119
55	1223
65	1001
75	344
85	0

ZONAL LUMENS AND PERCENTAGES			
ZONE	LUMENS	% LAMP	% LUMINAIRE
0-30	6246	44.62	72.86
0-40	7873	56.24	91.83
0-60	8566	61.19	99.92
0-90	8573	61.24	100.00
40-90	700	5.00	8.17
60-90	6	.05	.08
90-180	0	.00	.00
0-180	8573	61.24	100.00

#### Coefficients of Utilization

CEILING	80%				70%		50%		30%		0
	70	50	30	10	50	10	50	10	50	10	
WALL	Zonal Cavity Method - Effective Floor Cavity Reflectance = 20%										
RCR											
0	.73	.73	.73	.73	.71	.71	.68	.68	.65	.65	.61
1	.70	.69	.67	.66	.68	.65	.65	.63	.63	.61	.59
2	.67	.65	.63	.61	.64	.61	.62	.59	.60	.58	.56
3	.65	.62	.59	.57	.61	.57	.59	.56	.58	.55	.54
4	.62	.59	.56	.54	.58	.54	.57	.53	.56	.53	.51
5	.60	.56	.53	.51	.55	.51	.54	.50	.53	.50	.49
6	.58	.53	.50	.48	.53	.48	.52	.48	.51	.47	.46
7	.55	.51	.48	.46	.50	.45	.50	.45	.49	.45	.44
8	.53	.48	.45	.43	.48	.43	.47	.43	.47	.43	.42
9	.51	.46	.43	.41	.46	.41	.45	.41	.45	.40	.40
10	.49	.44	.41	.39	.43	.39	.43	.38	.43	.38	.38

LUMINAIRE INPUT WATTS = 167

\*\* EFFICIENCY = 61.2% \*\*  
SC = 0.7

CERTIFIED TEST REPORT NO. 2333FR, DATE: OCT 13, 2003  
COMPUTED BY LSI PROGRAM \*\*TEST-LITE\*\*

#### Job Information Type:

631 Airport Road, Fall River, MA 02720 • (508) 679-8131 • Fax (508) 674-4710  
We reserve the right to change details of design, materials and finish.  
www.lightolier.com © 2008 Philips Group • B1204

## Free Manuals Download Website

<http://myh66.com>

<http://usermanuals.us>

<http://www.somanuals.com>

<http://www.4manuals.cc>

<http://www.manual-lib.com>

<http://www.404manual.com>

<http://www.luxmanual.com>

<http://aubethermostatmanual.com>

Golf course search by state

<http://golfingnear.com>

Email search by domain

<http://emailbydomain.com>

Auto manuals search

<http://auto.somanuals.com>

TV manuals search

<http://tv.somanuals.com>