

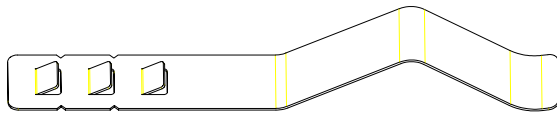
**READ AND UNDERSTAND THESE INSTRUCTIONS BEFORE INSTALLING ACCESSORY**

This accessory is intended for installation in accordance with the National Electrical Code and local regulations. To assure full compliance with local codes and regulations, check with your local electrical inspector before installation. To prevent electric shock, turn off electricity at fuse box before proceeding.

**Retain these instructions for maintenance reference.**

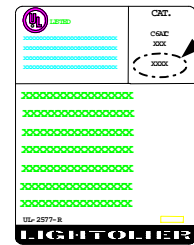
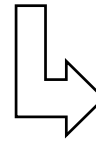
**INSTALLATION PROCEDURE FOR C6TCAA CALCULITE EVOLUTION  
6 INCH APERTURE THICK CEILING ADAPTER SPRINGS**

**CAUTION-TO AVOID OVERHEATING: DO NOT USE THIS PRODUCT WITH C6AIC, C6AICLV, or C6DAIC FRAMES AND/OR C6P36A SERIES TRIMS WITH DATE CODE OF 2402 OR EARLIER. (2402 = WEEK 24, 2002)**



**FIG. 1**

**C6TCAA**  
6" Aperture  
Thick Ceiling Adapter  
(3 pieces required, kit  
contains one extra piece)

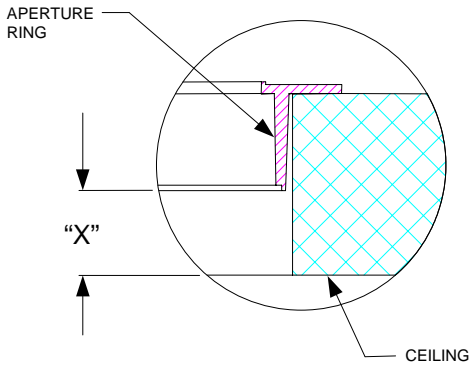


**DATE CODE  
LOCATION**

**Installation Instructions:**

1. Measure distance between bottom surface of APERTURE RING (supplied with FIK) and CEILING, as shown in Fig. 2.
2. Break ADAPTER SPRINGS in appropriate location, if required. See views in Fig. 2.
3. Move RETENTION SPRING (supplied with trim) towards REFLECTOR BODY to expose SPRING POCKET (Fig. 3a, step 1). Insert ADAPTER SPRINGS into SPRING POCKETS as shown (Fig. 3a, step 2).
4. Push down on ADAPTER SPRINGS until lowermost TABS lock firmly into place.
5. Install reflector trim in the usual fashion. Refer to reflector trim instruction sheet for installation, wiring, and lamping information.

**FIG. 2**



**"X" = 7/8" to 1-1/8" (UN-MODIFIED)**

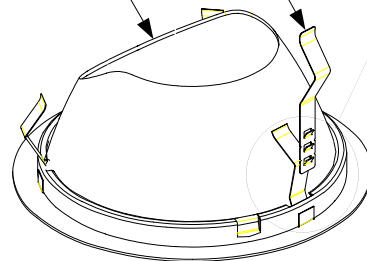
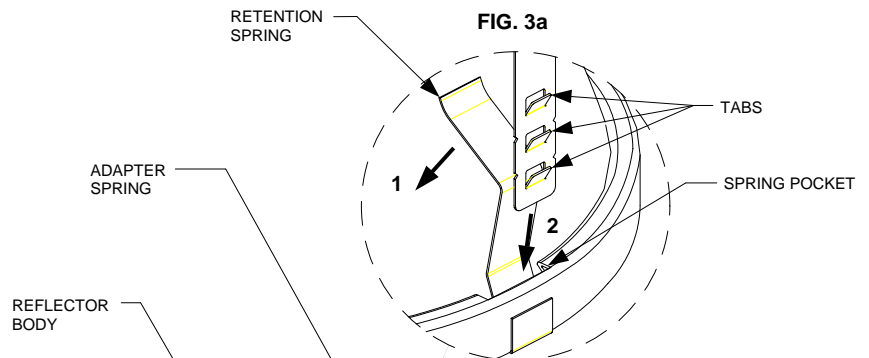


**"X" = 5/8" to 7/8"**

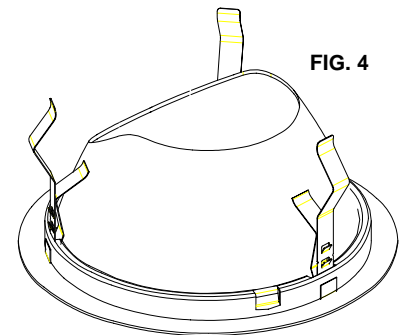


**"X" = 3/8" to 5/8"**

**FIG. 3a**



**FIG. 3**



**FIG. 4**

**REFLECTOR TRIM WITH ADAPTER  
SPRINGS INSTALLED, READY FOR  
INSTALLATION INTO LIGHTOLIER  
FRAME-IN KIT.**

## Free Manuals Download Website

<http://myh66.com>

<http://usermanuals.us>

<http://www.somanuals.com>

<http://www.4manuals.cc>

<http://www.manual-lib.com>

<http://www.404manual.com>

<http://www.luxmanual.com>

<http://aubethermostatmanual.com>

Golf course search by state

<http://golfingnear.com>

Email search by domain

<http://emailbydomain.com>

Auto manuals search

<http://auto.somanuals.com>

TV manuals search

<http://tv.somanuals.com>