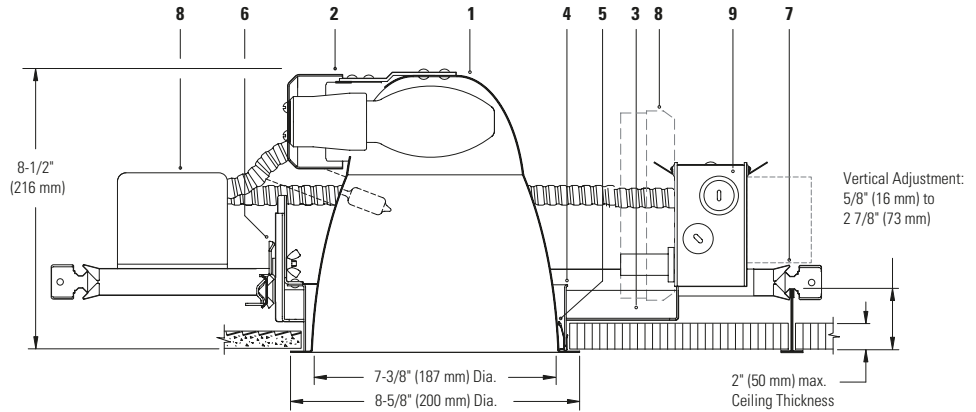
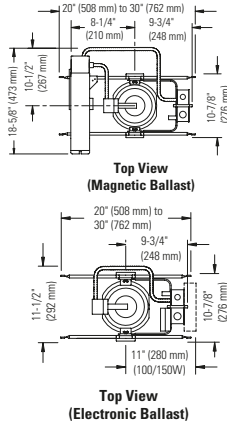




# Calculite® HID Downlight C7E170HW

7" Aperture, ED17 (Open Rated), Ceramic Metal Halide, Wide Beam



Ceiling Cutout: 8" (203 mm) Dia.

Reflector Trim	Frame-In Kit	Lamp (Coated, Ceramic MH)
<b>C7E170HW CLW</b> Specular Clear, White Painted Flange.	<b>C770MHOE1</b> Electronic 120V	<b>C770MHOE2</b> Electronic 277V
<b>CLP</b> Specular Clear, Matching Flange.	<b>C710MHOE1</b> Electronic 120V	<b>C710MHOE2</b> Electronic 277V
<b>CCDW</b> Comfort Clear Diffuse, White Painted Flange.	<b>C715MHOE1</b> Electronic 120V	<b>C715MHOE2</b> Electronic 277V
<b>CCDP</b> Comfort Clear Diffuse, Matching Flange.	<b>C770MHOE1</b> Magnetic 120V/277V	70W E17, ED17, BD17, (Open Rated)
<b>CCZW</b> Champagne Bronze, White Painted Flange.	<b>C710MHOE1</b> Magnetic 120V/277V	100W E17, ED17, BD17, (Open Rated)
<b>CCZP</b> Champagne Bronze, Matching Flange.	<b>C715MHOE1</b> Magnetic 120V/277V	150W E17, ED17, BD17, (Open Rated)

## Features

- Reflector:** Clear anodized aluminum, 0.040" (16-ga.). Provides wide beam distribution. Provides 50° visual cut-off to lamp and lamp image; self-flange in painted white or aperture-matching polished flange. Consult factory for other finishes.
- Socket Housing:** Galvanized steel, pre-wired with medium base pulse rated socket. Snaps onto upper reflector for secure attachment without tools; unitized construction assures proper lamp alignment to optics for consistent performance.
- Mounting Frame:** 0.048" (18-ga.) galvanized steel includes pre-installed mounting bars.
- Mounting Ring:** 0.048" (18-ga.) galvanized steel. Designed for vertical adjustment from above or below for ceilings from 0" to 2" thick. Center-line notches allow consistent alignment of multiple fixtures.
- Retention Springs:** Rust resistant springs secure cone in place for quick, tool-less installation.
- Frame Vertical Adjustment Mechanism:** Vertical adjustment mechanism accommodates mounting to virtually any ceiling system using pre-installed mounting bars, or 1/2" EMT tubing (by others). Single locking feature secures all adjustments. Alignment holes and markings allow fixture to be pre-set prior to installation.
- Mounting Bars:** 0.048" (18-ga.) Pre-installed, telescoping bars extend to 30" long and lock securely into position. Built-in locking tabs provide positive attachment to common T-bar systems. Self-centering feature simplifies installation in 24" O.C. grid systems. Attaches to steel or wood joists without accessories.
- Ballast:** Electronic 120V or 277V. Magnetic dual voltage (120V & 277V). Accessible from below for inspection and/or replacement without tools.
- Junction Box:** 0.048" (18-ga.) galvanized steel. UL listed for 8 No. 12 AWG, 90°C through branch circuit conductors; allows inspection from below.
- Thermal Protector:** (Not Shown) Meets NEC and UL requirements. Do not install insulation above nor within 3" (76mm) of any part of the luminaire.

## Electrical

**Electronic Ballast:** 120V or 277V, 50/60 Hz., enclosed, high-power factor, T.H.D. <15%, thermally and transient protected, RMI / RFI complies with FCC Part 18 non-consumer equipment, shut-down circuit at end of lamp life, sound rating "A", -50°F minimum starting temperature, Type 1 outdoor rating.

## Electrical (cont.)

Ballast	ANSI Code	Voltage	Max. Amps	Input Watts
70W MH	M98/M139	120/277	0.67/0.29	78
100W MH	M90/M140	120/277	0.90/0.43	110
150W MH	M102	120/277	1.40/0.61	167

**Magnetic Ballast:** 120/277V dual voltage, 60 Hz., enclosed and potted, HX-HPF circuit type, high power factor, sound rating "B", -20°F minimum starting temperature, Type 1 Outdoor rating.

Ballast	ANSI Code	Voltage	Max. Amps	Input Watts
70W MH	M98/M143	120/277	1.90/0.80	94
100W MH	M90/M140	120/277	2.40/1.10	125
150W MH	M102	120/277	3.70/1.60	180

## Options and Accessories

**Auxiliary:** Add suffix **A** to Frame-In Kit and Reflector Trim. c "A".

**Emergency Lamp:** Add suffix **E** to Reflector Trim and Frame-In Kit. See Spec. Sheet "A/E".

**Slope Ceiling Adapters:** See Specification Sheet SCA.

**Chicago Plenum:** Consult Factory.

**Fuse:** (Magnetic Ballast): Add suffix **F1** or **F2** to Frame in Kit (F1=120V, F2=277V).

## Labels

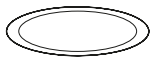
UL (Suitable for Damp Locations), CSA, I.B.E.W. For 150W, install fixtures with minimum spacing: 3 feet from center-to-center of adjacent luminaires; 3 inch from top of luminaire to overhead building member; 1 1/2 feet from luminaire center to side building member.

Job Information	Type:
Job Name:	
Cat. No.:	
Lamp(s):	
Notes:	

Lightolier a Genlyte Thomas Company www.lightolier.com  
 631 Airport Road, Fall River, MA 02720 • (508) 679-8131 • Fax (508) 674-4710  
 We reserve the right to change details of design, materials and finish.

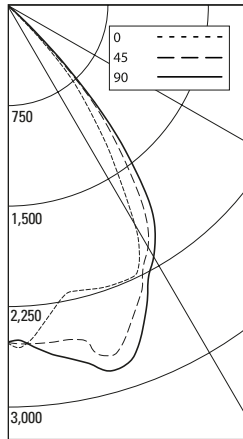
© 2004 Genlyte Thomas Group LLC (Lightolier Division) • A0504

LIGHTOLIER®



# Calculite® HID Downlight C7E170HW

### 70W ED17 (ENCLOSED) PHILIPS COATED METAL HALIDE LAMP. LUMEN RATING = 5700 LMS., AROMAT ELECTRONIC BALLAST, CL FINISH REFLECTOR TRIM



ANGLE	0°	45°	90°
0	2517	2517	2517
5	2462	2535	2572
10	2242	2537	2678
15	2201	2705	2823
20	2230	2610	2778
25	2233	2365	2464
30	1916	2096	2180
35	1322	1698	1886
40	823	1127	1271
45	234	349	480
50	20	20	51
55	5	8	8
60	2	3	3
65	0	1	1
70	0	1	0
75	0	0	0
80	0	0	0
85	0	0	0
90	0	0	0

#### LUMINANCE SUMMARY - CD. / SQ. M.

ANGLE	0 Deg.	45 Deg.	90 Deg.
45	11611	17393	23922
55	306	466	466
65	0	71	57
75	0	23	0
85	0	0	0

#### Coefficients of Utilization

CEILING	80%				70%		50%		30%		0
	70	50	30	10	50	10	50	10	50	10	
WALL	Zonal Cavity Method - Effective Floor Cavity Reflectance = 20%										
RCR	Zonal Cavity Method - Effective Floor Cavity Reflectance = 20%										
0	.72	.72	.72	.72	.70	.70	.67	.67	.64	.64	.60
1	.68	.67	.66	.64	.66	.63	.63	.61	.61	.59	.57
2	.65	.63	.61	.59	.62	.58	.60	.57	.58	.56	.54
3	.62	.59	.56	.54	.58	.54	.57	.53	.55	.52	.50
4	.60	.56	.52	.50	.55	.50	.54	.49	.52	.49	.47
5	.57	.52	.49	.46	.51	.46	.50	.46	.49	.45	.44
6	.54	.49	.46	.43	.48	.43	.48	.43	.47	.42	.41
7	.51	.46	.42	.40	.45	.40	.45	.40	.44	.39	.38
8	.48	.43	.39	.37	.42	.37	.42	.37	.41	.36	.36
9	.46	.40	.36	.34	.40	.34	.39	.34	.39	.34	.33
10	.43	.37	.34	.31	.37	.31	.36	.31	.36	.31	.30

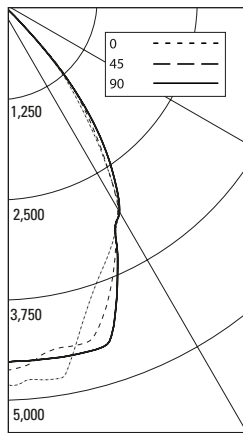
ZONE	LUMENS	% LAMP	% LUMINAIRE
0-30	2050	35.98	59.89
0-40	3062	53.73	89.44
0-60	3423	60.05	99.96
0-90	3424	60.08	100
40-90	361	6.34	10.56
60-90	1	0.02	0.04
90-180	0	0	0
0-180	3424	60.08	100

LUMINAIRE INPUT WATTS = 78.0

\*\* EFFICIENCY = 60.1% \*\*  
SC = 1.1

CERTIFIED TEST REPORT NO. 2418FR, DATE: FEB 10, 2004  
COMPUTED BY LSI PROGRAM \*\*TEST-LITE\*\*

### 100W ED17 (ENCLOSED) PHILIPS COATED METAL HALIDE LAMP. LUMEN RATING = 8500 LMS., AROMAT, ELECTRONIC BALLAST, CL FINISH REFLECTOR TRIM



ANGLE	0°	45°	90°
0	4622	4622	4622
5	4767	4575	4529
10	4783	4421	4539
15	4151	4423	4544
20	3703	4033	4286
25	3387	3501	3570
30	3033	3024	3064
35	2201	2273	2443
40	1410	1566	1617
45	501	615	580
50	63	56	62
55	19	19	18
60	10	12	9
65	5	7	5
70	3	3	2
75	1	1	0
80	0	0	0
85	0	0	0
90	0	0	0

#### LUMINANCE SUMMARY - CD. / SQ. M.

ANGLE	0 Deg.	45 Deg.	90 Deg.
45	24858	30607	28891
55	1140	1179	1075
65	422	611	376
75	153	153	0
85	0	0	0

#### Coefficients of Utilization

CEILING	80%				70%		50%		30%		0
	70	50	30	10	50	10	50	10	50	10	
WALL	Zonal Cavity Method - Effective Floor Cavity Reflectance = 20%										
RCR	Zonal Cavity Method - Effective Floor Cavity Reflectance = 20%										
0	.74	.74	.74	.74	.72	.72	.69	.69	.66	.66	.62
1	.71	.69	.68	.67	.68	.66	.65	.64	.63	.62	.59
2	.68	.65	.63	.61	.64	.60	.62	.59	.60	.58	.56
3	.65	.61	.58	.56	.60	.56	.59	.55	.57	.54	.52
4	.62	.58	.55	.52	.57	.52	.56	.51	.55	.51	.49
5	.59	.54	.51	.48	.54	.48	.53	.48	.52	.47	.46
6	.56	.51	.48	.45	.51	.45	.50	.45	.49	.45	.43
7	.53	.48	.45	.42	.48	.42	.47	.42	.46	.41	.40
8	.51	.45	.42	.39	.45	.39	.44	.39	.43	.39	.38
9	.48	.42	.39	.36	.42	.36	.41	.36	.41	.36	.35
10	.45	.40	.36	.34	.39	.34	.39	.33	.38	.33	.32

ZONE	LUMENS	% LAMP	% LUMINAIRE
0-30	3282	38.62	62.14
0-40	4720	55.54	89.35
0-60	5275	62.07	99.86
0-90	5283	62.15	100
40-90	562	6.62	10.65
60-90	7	0.08	0.14
90-180	0	0	0
0-180	5283	62.15	100

LUMINAIRE INPUT WATTS = 110

\*\* EFFICIENCY = 62.2% \*\*  
SC = 1.1

CERTIFIED TEST REPORT NO. 2267FR, DATE: JUN 23, 2003  
COMPUTED BY LSI PROGRAM \*\*TEST-LITE\*\*

LIGHTOLIER®

Job Information Type: \_\_\_\_\_

Lightolier a Genlyte Thomas Company www.lightolier.com  
631 Airport Road, Fall River, MA 02720 • (508) 679-8131 • Fax (508) 674-4710  
We reserve the right to change details of design, materials and finish.

## Free Manuals Download Website

<http://myh66.com>

<http://usermanuals.us>

<http://www.somanuals.com>

<http://www.4manuals.cc>

<http://www.manual-lib.com>

<http://www.404manual.com>

<http://www.luxmanual.com>

<http://aubethermostatmanual.com>

Golf course search by state

<http://golfingnear.com>

Email search by domain

<http://emailbydomain.com>

Auto manuals search

<http://auto.somanuals.com>

TV manuals search

<http://tv.somanuals.com>