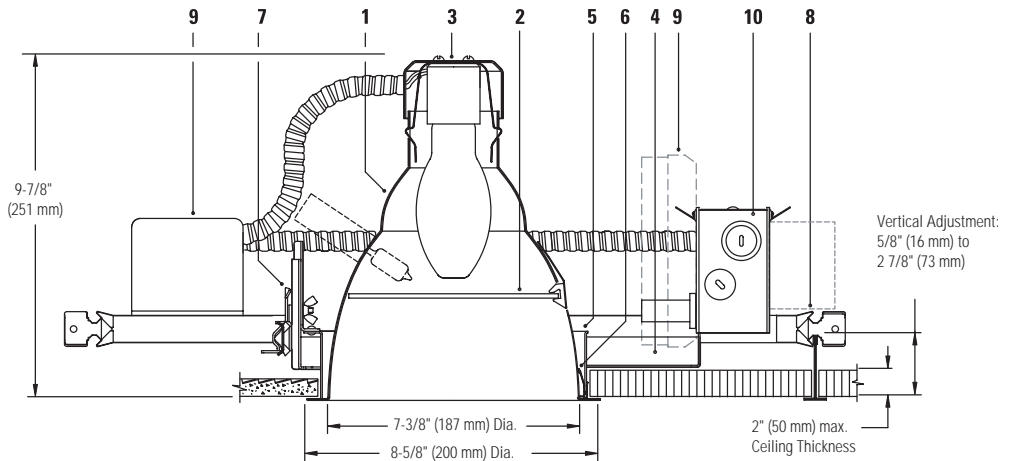
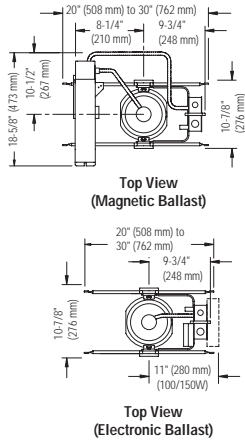


Calculite® HID Downlight C7E17VM

7" Aperture, ED17 (Enclosed), Ceramic Metal Halide, Medium Beam



Ceiling Cutout: 8" (203mm) Dia.

Reflector Trim	Frame-In Kit	Lamp (Coated, Ceramic MH)
C7E17VM CLW Specular Clear, White Painted Flange.	C770MHE1 Electronic 120V	70W ED17, BD17 (Enclosed)
CLP Specular Clear, Matching Flange.	C770MHE2 Electronic 277V	70W ED17, BD17 (Enclosed)
CCDW Comfort Clear Diffuse, White Painted Flange.	C710MHE1 Electronic 120V	100W ED17, BD17 (Enclosed)
CCDP Comfort Clear Diffuse, Matching Flange.	C710MHE2 Electronic 277V	100W ED17, BD17 (Enclosed)
CCZW Champagne Bronze, White Painted Flange.	C770MHU Magnetic 120V/277V	70W ED17, BD17 (Enclosed)
CCZP Champagne Bronze, Matching Flange.	C710MHU Magnetic 120V/277V	100W ED17, BD17 (Enclosed)

Features

- Reflector Trim:** Clear anodized aluminum, 0.040" (16-ga.). Provides Medium beam distribution; 50° visual cut-off to lamp and lamp image; self-flange in painted white or polished to match cone interior. Consult factory for other finishes.
- Lamp Guard:** High heat resistant glass (as required by code).
- Socket Cup:** Galvanized steel, pre-wired with medium base pulse rated socket. Snaps onto upper reflector for secure attachment without tools; assures proper lamp alignment to optics for consistent performance.
- Mounting Ring:** 0.048" (18-ga.) galvanized steel. Designed for vertical adjustment from above or below for ceilings from 0" to 2" thick. Center-line notches allow consistent alignment of multiple fixtures.
- Mounting Frame:** 0.048" (18-ga.) galvanized steel includes pre-installed mounting bars.
- Retention Springs:** Rust resistant springs secure reflector in place for quick, tool-less installation.
- Frame Vertical Adjustment Mechanism:** Vertical adjustment mechanism accommodates mounting to virtually any ceiling system using pre-installed mounting bars, or 1/2" EMT tubing (by others). Single locking feature secures all adjustments. Alignment holes and markings allow fixture to be pre-set prior to installation.
- Mounting Bars:** 0.048" (18-ga.) Pre-installed, telescoping bars extend to 30" long and lock securely into position. Built-in locking tabs provide positive attachment to common T-bar systems. Self-centering feature simplifies installation in 24" O.C. grid systems. Attaches to steel or wood joists without accessories.
- Ballast:** Electronic 120V or 277V. Magnetic dual voltage (120V & 277V). Accessible from below for inspection and/or replacement without tools.
- Junction Box:** 0.048" (18-ga.) galvanized steel. UL listed for 8 No. 12 AWG, 90°C through branch circuit conductors; allows inspection from below.
- Thermal Protector:** (Not Shown) Meets NEC and UL requirements. Do not install insulation above nor within 3" (76mm) of any part of the luminaire.

Electrical

Electronic Ballast: 120V or 277V, 50/60 Hz., enclosed, high-power factor, T.H.D. <15%, thermally and transient protected, RMI / RFI complies with FCC Part 18 non-consumer equipment, shut-down circuit at end of lamp life, sound rating "A", -5°F minimum starting temperature, Type 1 outdoor rating.

Electrical (cont)

Ballast	ANSI Code	Voltage	Max. Amps	Input Watts
70W MH	M98/M143	120/277	0.67/0.28	78
100W MH	M90/M140	120/277	0.90/0.43	110

Magnetic Ballast: 120/277V dual voltage, 60 Hz., enclosed and potted, HX-HPF circuit type, high power factor, sound rating "B", -20°F minimum starting temperature, Type 1 Outdoor rating.

Ballast	ANSI Code	Voltage	Max. Amps	Input Watts
70W MH	M98/143	120/277	1.90/0.80	94
100W MH	M90/140	120/277	2.40/1.10	125

Options and Accessories

Auxiliary: Add suffix **A** to Frame-In Kit and Reflector Trim. See Spec. Sheet "A".

Emergency Lamp: Add suffix **E** to Reflector Trim and Frame-In Kit. See Spec. Sheet "E".

Slope Ceiling Adapters: See Specification Sheet SCA.

Fuse (magnetic ballast): Add suffix **F1** or **F2** to Frame-In Kit (F1=120V, F2=277V)

Chicago Plenum: Consult Factory.

Labels

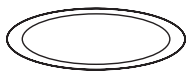
UL (Suitable for Damp Locations), CSA (magnetic ballast only), I.B.E.W. For 100W electronic, install fixtures with minimum spacing: 2 feet from center-to-center of adjacent luminaires; 1/2 inch from top of luminaire to over-head building member; 1 foot from luminaire center to side building member.

Job Information	Type:
Job Name:	
Cat. No.:	
Lamp(s):	
Notes:	

Lightolier a Genlyte Thomas Company www.lightolier.com
 631 Airport Road, Fall River, MA 02720 • (508) 679-8131 • Fax (508) 674-4710
 We reserve the right to change details of design, materials and finish.

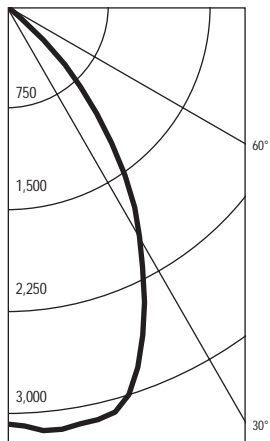
© 2004 Genlyte Thomas Group LLC (Lightolier Division) • A0504

LIGHTOLIER®



Calculite® HID Downlight C7E17VM

70W ED17 (ENCLOSED), PHILIPS COATED MH UNSHIELDED. LUMEN RATING = 6000 LMS., AROMAT CAT, CL FINISH REFLECTOR TRIM.



ANGLE	MEAN CP	LUMENS	LUMINANCE SUMMARY - CD. / SQ. M.	
			ANGLE	MEAN CD/SQ M
0	5184		45	23288
5	4618	439	55	2932
10	3993	982	65	2213
15	3481	1117	75	0
20	2899	808	85	0
25	2453			
30	1843			
35	1256			
40	787			
45	407	329		
50	98	48		
55	42	19		
60	32	0		
65	23	0		
70	0	0		
75	0	0		
80	0	0		
85	0	0		
90	0	0		

ZONAL LUMENS AND PERCENTAGES			
ZONE	LUMENS	% LAMP	%LUMINAIRE
0-30	2537	42.3	67.82
0-40	3345	55.76	89.41
0-60	3722	62.04	99.48
0-90	3741	62.36	100
40-90	396	6.6	10.59
60-90	19	0.33	0.52
90-180	0	0	0
0-180	3741	62.36	100

Coefficients of Utilization

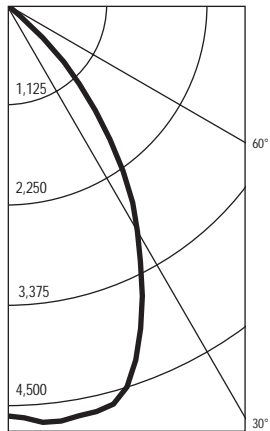
CEILING	80%				70%				50%				30%			
	70	50	30	10	50	10	50	10	50	10	50	10	50	10	50	10
WALL	Zonal Cavity Method - Effective Floor Cavity Reflectance = 20%															
RCR	Zonal Cavity Method - Effective Floor Cavity Reflectance = 20%															
0	.74	.74	.74	.74	.73	.73	.69	.69	.66	.66	.66	.66	.66	.66	.66	.62
1	.71	.70	.68	.67	.69	.66	.66	.64	.64	.62	.62	.61	.59	.58	.55	.53
2	.68	.66	.64	.62	.65	.61	.63	.60	.61	.59	.56	.58	.55	.53	.51	.48
3	.65	.62	.59	.57	.61	.57	.60	.56	.57	.53	.56	.52	.51	.49	.48	.45
4	.63	.59	.56	.54	.58	.53	.57	.53	.54	.49	.51	.47	.48	.44	.43	.41
5	.60	.56	.52	.50	.55	.50	.54	.49	.51	.47	.48	.44	.43	.41	.40	.38
6	.58	.53	.49	.47	.52	.47	.51	.47	.48	.44	.43	.41	.40	.38	.37	.35
7	.55	.50	.46	.44	.49	.44	.49	.44	.45	.41	.41	.38	.37	.35	.34	.32
8	.52	.47	.44	.42	.47	.41	.46	.41	.42	.38	.38	.35	.34	.32	.31	.29
9	.50	.44	.41	.39	.44	.39	.44	.39	.40	.36	.36	.33	.32	.30	.29	.27
10	.48	.42	.39	.36	.42	.36	.41	.36	.37	.33	.33	.30	.29	.27	.26	.24

LUMINAIRE INPUT WATTS = 78.0

** EFFICIENCY = 62.4% **
SC = .7

CERTIFIED TEST REPORT NO. 2518FR, DATE: MAR 6, 2004
COMPUTED BY LSI PROGRAM **TEST-LITE**

100W ED17 (ENCLOSED), PHILIPS COATED MH UNSHIELDED. LUMEN RATING = 9000 LMS., AROMAT, CL FINISH REFLECTOR TRIM.



ANGLE	MEAN CP	LUMENS	LUMINANCE SUMMARY - CD. / SQ. M.	
			ANGLE	MEAN CD/SQ M
0	7771		45	34641
5	6922	659	55	4040
10	5985	1471	65	2833
15	5217	1672	75	0
20	4344	1208	85	0
25	3675			
30	2760			
35	1879			
40	1176			
45	606	490		
50	141	67		
55	57	25		
60	43	0		
65	30	0		
70	0	0		
75	0	0		
80	0	0		
85	0	0		
90	0	0		

ZONAL LUMENS AND PERCENTAGES			
ZONE	LUMENS	% LAMP	%LUMINAIRE
0-30	3802	42.25	67.99
0-40	5010	55.68	89.6
0-60	5567	61.86	99.55
0-90	5592	62.14	100
40-90	581	6.46	10.4
60-90	25	0.28	0.45
90-180	0	0	0
0-180	5592	62.14	100

Coefficients of Utilization

CEILING	80%				70%				50%				30%			
	70	50	30	10	50	10	50	10	50	10	50	10	50	10	50	10
WALL	Zonal Cavity Method - Effective Floor Cavity Reflectance = 20%															
RCR	Zonal Cavity Method - Effective Floor Cavity Reflectance = 20%															
0	.74	.74	.74	.74	.72	.72	.69	.69	.66	.66	.66	.66	.66	.66	.66	.62
1	.71	.69	.68	.67	.68	.66	.66	.64	.63	.62	.61	.59	.58	.55	.53	.51
2	.68	.66	.63	.62	.64	.61	.62	.60	.61	.58	.56	.55	.52	.51	.49	.48
3	.65	.62	.59	.57	.61	.57	.60	.56	.57	.53	.56	.52	.51	.49	.48	.45
4	.63	.59	.56	.53	.58	.53	.57	.53	.54	.49	.51	.47	.48	.44	.43	.41
5	.60	.55	.52	.50	.55	.50	.54	.49	.51	.47	.48	.44	.43	.41	.40	.38
6	.57	.53	.49	.47	.52	.47	.51	.47	.48	.44	.43	.41	.40	.38	.37	.35
7	.55	.50	.46	.44	.49	.44	.49	.44	.45	.41	.41	.38	.37	.35	.34	.32
8	.52	.47	.44	.41	.46	.41	.46	.41	.42	.38	.38	.35	.34	.32	.31	.29
9	.50	.44	.41	.39	.44	.39	.44	.39	.40	.36	.36	.33	.32	.30	.29	.27
10	.47	.42	.39	.36	.42	.36	.41	.36	.37	.33	.33	.30	.29	.27	.26	.24

LUMINAIRE INPUT WATTS = 110

** EFFICIENCY = 62.1% **
SC = .7

CERTIFIED TEST REPORT NO. 2519FR, DATE: MAR 6, 2004
COMPUTED BY LSI PROGRAM **TEST-LITE**

Job Information Type:

Lightolier a Genlyte Thomas Company www.lightolier.com
631 Airport Road, Fall River, MA 02720 • (508) 679-8131 • Fax (508) 674-4710
We reserve the right to change details of design, materials and finish.
© 2004 Genlyte Thomas Group LLC (Lightolier Division) • A0504

LIGHTOLIER®

Free Manuals Download Website

<http://myh66.com>

<http://usermanuals.us>

<http://www.somanuals.com>

<http://www.4manuals.cc>

<http://www.manual-lib.com>

<http://www.404manual.com>

<http://www.luxmanual.com>

<http://aubethermostatmanual.com>

Golf course search by state

<http://golfingnear.com>

Email search by domain

<http://emailbydomain.com>

Auto manuals search

<http://auto.somanuals.com>

TV manuals search

<http://tv.somanuals.com>