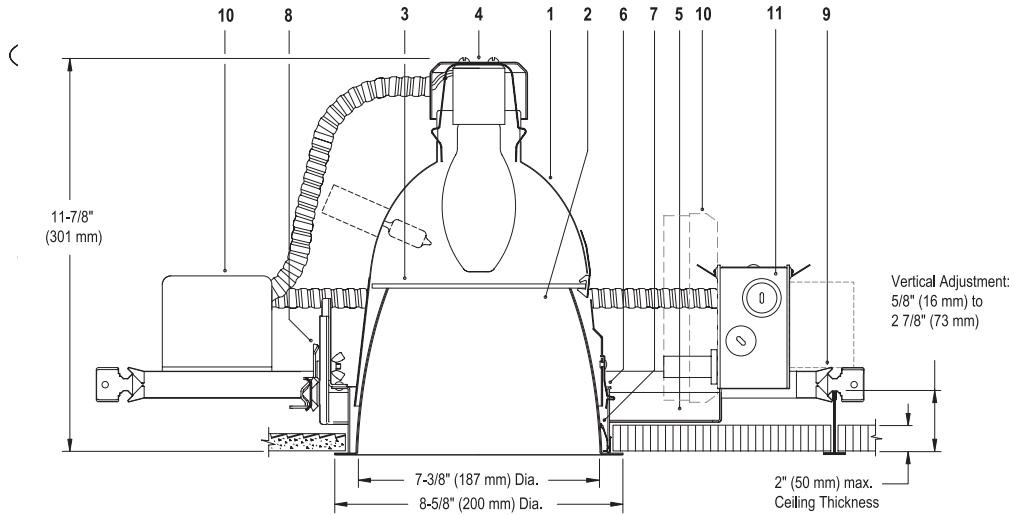
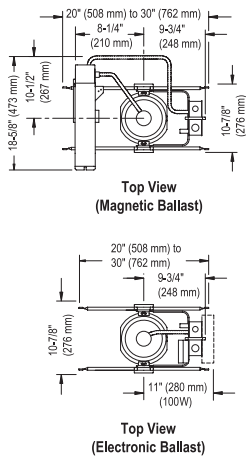




Calculite® HID Downlight C7E17VW

7" Aperture, ED17 (Enclosed), Ceramic Metal Halide, Wide Beam



Ceiling Cutout: 8" (203 mm) Dia.

Reflector Trim	Frame-In Kit	Lamp (Coated, Ceramic MH)
C7E17VW CLW	C770MHE1	70W ED17, BD17 (Enclosed)
CLP	C770MHE2	70W ED17, BD17 (Enclosed)
CCDW	C710MHE1	100W ED17, BD17 (Enclosed)
CCDP	C710MHE2	100W ED17, BD17 (Enclosed)
CCZW	C770MHU	70W ED17, BD17 (Enclosed)
CCZP	C710MHU	100W ED17, BD17 (Enclosed)

Features

- Upper Reflector:** Clear anodized aluminum, 0.040" (16-ga.). Provides wide beam distribution.
- Aperture Cone:** Provides 50° visual cut-off to lamp and lamp image; self-flange in painted white or aperture-matching polished flange. Consult factory for other finishes.
- Lamp Guard:** High heat resistant glass as required by code.
- Socket Housing:** Galvanized steel, snaps onto upper reflector for secure attachment without tools; assures proper lamp alignment to optics for consistent performance.
- Mounting Frame:** 0.048" (18-ga.) galvanized steel includes pre-installed mounting bars.
- Mounting Ring:** 0.048" (18-ga.) galvanized steel. Designed for vertical adjustment from above or below for ceilings from 0" to 2" thick. Center-line notches allow consistent alignment of multiple fixtures.
- Retention Springs:** Rust resistant springs secure cone in place for quick, tool-less installation.
- Frame Vertical Adjustment Mechanism:** Vertical adjustment mechanism accommodates mounting to virtually any ceiling system using pre-installed mounting bars, or 1/2" EMT tubing (by others). Single locking feature secures all adjustments. Alignment holes and markings allow fixture to be pre-set prior to installation.
- Mounting Bars:** 0.048" (18-ga.) Pre-installed, telescoping bars extend to 30" long and lock securely into position. Built-in locking tabs provide positive attachment to common T-bar systems. Self-centering feature simplifies installation in 24" O.C. grid systems. Attaches to steel or wood joists without accessories.
- Ballast:** Electronic 120V or 277V. Magnetic dual voltage (120V & 277V). Accessible from below for inspection and/or replacement without tools.
- Junction Box:** 0.048" (18-ga.) galvanized steel. UL listed for 8 No. 12 AWG, 90°C through branch circuit conductors; allows inspection from below.
- Thermal Protector:** (Not Shown) Meets NEC and UL requirements. Do not install insulation above nor within 3" (76mm) of any part of the luminaire.

Electrical

Electronic Ballast: 120V or 277V, 50/60 Hz., enclosed, high-power factor, T.H.D. <15%, thermally and transient protected, RMI / RFI complies with FCC Part 18 non-consumer equipment, shut-down circuit at end of lamp life, sound rating "A", -5°F minimum starting temperature, Type 1 outdoor rating.

Electrical (cont)

Ballast	ANSI Code	Voltage	Max. Amps	Input Watts
70W MH	M98/M143	120/277	0.67/0.28	78
100W MH	M90/M140	120/277	0.90/0.43	110

Magnetic Ballast: 120/277V dual voltage, 60 Hz., encased and potted, HX-HPF circuit type, high power factor, sound rating "B", -20°F minimum starting temperature, Type 1 Outdoor rating.

Ballast	ANSI Code	Voltage	Max. Amps	Input Watts
70W MH	M98/M143	120/277	1.90/0.80	94
100W MH	M90/M140	120/277	2.40/1.10	125

Options and Accessories

Auxiliary: Add suffix **A** to Frame-In Kit and Reflector Trim. See Spec.Sheet "A".

Emergency Lamp: Add suffix **E** to Reflector Trim and Frame In Kit. See Spec.Sheet "E".

Slope Ceiling Adapters: See Specification Sheet SCA.

Fuse (magnetic ballast): Add suffix **F1** or **F2** to Frame In Kit (F1=120V, F2=277V)

Chicago Plenum: Consult Factory.

Labels

UL (Suitable for Damp Locations), CSA (magnetic ballast only), I.B.E.W. For 100W electronic, install fixtures with minimum spacing: 2 feet from center-to-center of adjacent luminaires; 1/2 inch from top of luminaire to overhead building member; 1 foot from luminaire center to side building member.

Job Information	Type:
Job Name:	
Cat. No.:	
Lamp(s):	
Notes:	

Lightolier a Genlyte Thomas Company www.lightolier.com
631 Airport Road, Fall River, MA 02720 • (508) 679-8131 • Fax (508) 674-4710
We reserve the right to change details of design, materials and finish.

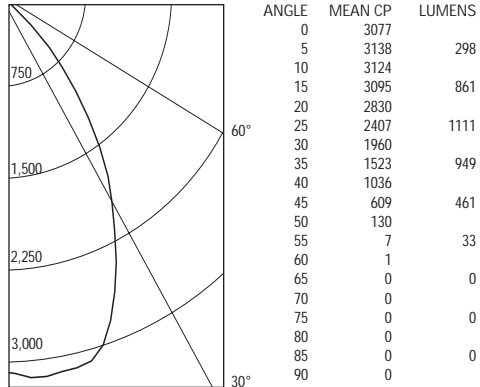
LIGHTOLIER®



Calculite® HID Downlight C7E17VW

70W ED17 (ENCLOSED) PHILIPS CMH, LUMEN RATING = 6000 LMS, AROMAT ELECTRONIC BALLAST, CL FINISH REFLECTOR TRIM

CANDLEPOWER DISTRIBUTION



LUMINANCE SUMMARY CD. / SQ. M.

ANGLE	MEAN CD/SQ M
45	34796
55	475
65	0
75	0
85	0

Coefficients of Utilization

CEILING	80%				70%		50%		30%		0
	70	50	30	10	50	10	50	10	50	10	
WALL	Zonal Cavity Method - Effective Floor Cavity Reflectance = 20%										
RCR	Zonal Cavity Method - Effective Floor Cavity Reflectance = 20%										
0	.74	.74	.74	.74	.72	.72	.69	.69	.66	.66	.62
1	.71	.69	.68	.66	.68	.65	.65	.63	.63	.61	.58
2	.67	.65	.63	.61	.64	.60	.62	.59	.60	.57	.55
3	.64	.61	.58	.56	.60	.55	.58	.55	.57	.54	.52
4	.61	.57	.54	.52	.57	.51	.55	.51	.54	.50	.49
5	.59	.54	.50	.48	.53	.48	.52	.47	.51	.47	.46
6	.56	.51	.47	.45	.50	.45	.49	.44	.48	.44	.43
7	.53	.47	.44	.42	.47	.41	.46	.41	.45	.41	.40
8	.50	.44	.41	.38	.44	.38	.43	.38	.43	.38	.37
9	.47	.42	.38	.35	.41	.35	.41	.35	.40	.35	.34
10	.45	.39	.35	.33	.39	.33	.38	.33	.38	.33	.32

ZONAL LUMENS AND PERCENTAGES			
ZONE	LUMENS	% LAMP	% LUMINAIRE
0-30	2269	37.83	61.13
0-40	3218	53.64	86.69
0-60	3712	61.87	99.99
0-90	3712	61.88	100
40-90	494	8.24	13.31
60-90	0	0	0.01
90-180	0	0	0
0-180	3712	61.88	100

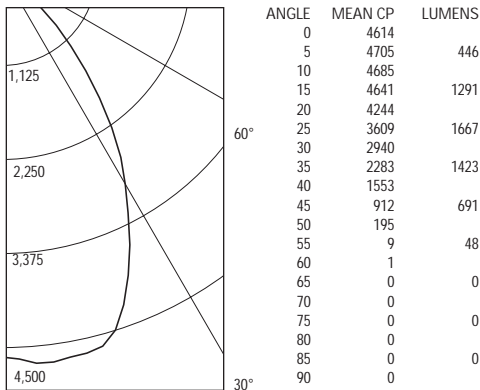
LUMINAIRE INPUT WATTS = 78.0

** EFFICIENCY = 61.9% **
SC = 1.0

CERTIFIED TEST REPORT NO. 2412FR, DATE: JAN 12, 2004
COMPUTED BY LSI PROGRAM **TEST-LITE**

100W ED17 (ENCLOSED) PHILIPS CMH, LUMEN RATING = 9000 LMS, AROMAT ELECTRONIC BALLAST, CL FINISH REFLECTOR TRIM

CANDLEPOWER DISTRIBUTION



LUMINANCE SUMMARY CD. / SQ. M.

ANGLE	MEAN CD/SQ M
45	52135
55	639
65	0
75	0
85	0

Coefficients of Utilization

CEILING	80%				70%		50%		30%		0
	70	50	30	10	50	10	50	10	50	10	
WALL	Zonal Cavity Method - Effective Floor Cavity Reflectance = 20%										
RCR	Zonal Cavity Method - Effective Floor Cavity Reflectance = 20%										
0	.74	.74	.74	.74	.72	.72	.69	.69	.66	.66	.62
1	.70	.69	.67	.66	.68	.65	.65	.63	.63	.61	.58
2	.67	.65	.63	.61	.64	.60	.62	.59	.60	.57	.55
3	.64	.61	.58	.56	.60	.55	.58	.54	.57	.54	.52
4	.61	.57	.54	.52	.57	.51	.55	.51	.54	.50	.49
5	.58	.54	.50	.48	.53	.48	.52	.47	.51	.47	.46
6	.56	.51	.47	.45	.50	.45	.49	.44	.48	.44	.43
7	.53	.47	.44	.42	.47	.41	.46	.41	.45	.41	.40
8	.50	.44	.41	.38	.44	.38	.43	.38	.43	.38	.37
9	.47	.42	.38	.35	.41	.35	.41	.35	.40	.35	.34
10	.45	.39	.35	.33	.39	.33	.38	.33	.38	.33	.32

ZONAL LUMENS AND PERCENTAGES			
ZONE	LUMENS	% LAMP	% LUMINAIRE
0-30	3403	37.82	61.15
0-40	4826	53.62	86.71
0-60	5565	61.84	100
0-90	5565	61.84	100
40-90	739	8.22	13.29
60-90	0	0	0
90-180	0	0	0
0-180	5565	61.84	100

LUMINAIRE INPUT WATTS = 110.0

** EFFICIENCY = 61.8% **
SC = 1.0

CERTIFIED TEST REPORT NO. 2509FR, DATE: MAR 3, 2004
COMPUTED BY LSI PROGRAM **TEST-LITE**

LIGHTOLIER®

Job Information Type:

Lightolier a Genlyte Thomas Company www.lightolier.com
631 Airport Road, Fall River, MA 02720 • (508) 679-8131 • Fax (508) 674-4710
We reserve the right to change details of design, materials and finish.

Free Manuals Download Website

<http://myh66.com>

<http://usermanuals.us>

<http://www.somanuals.com>

<http://www.4manuals.cc>

<http://www.manual-lib.com>

<http://www.404manual.com>

<http://www.luxmanual.com>

<http://aubethermostatmanual.com>

Golf course search by state

<http://golfingnear.com>

Email search by domain

<http://emailbydomain.com>

Auto manuals search

<http://auto.somanuals.com>

TV manuals search

<http://tv.somanuals.com>