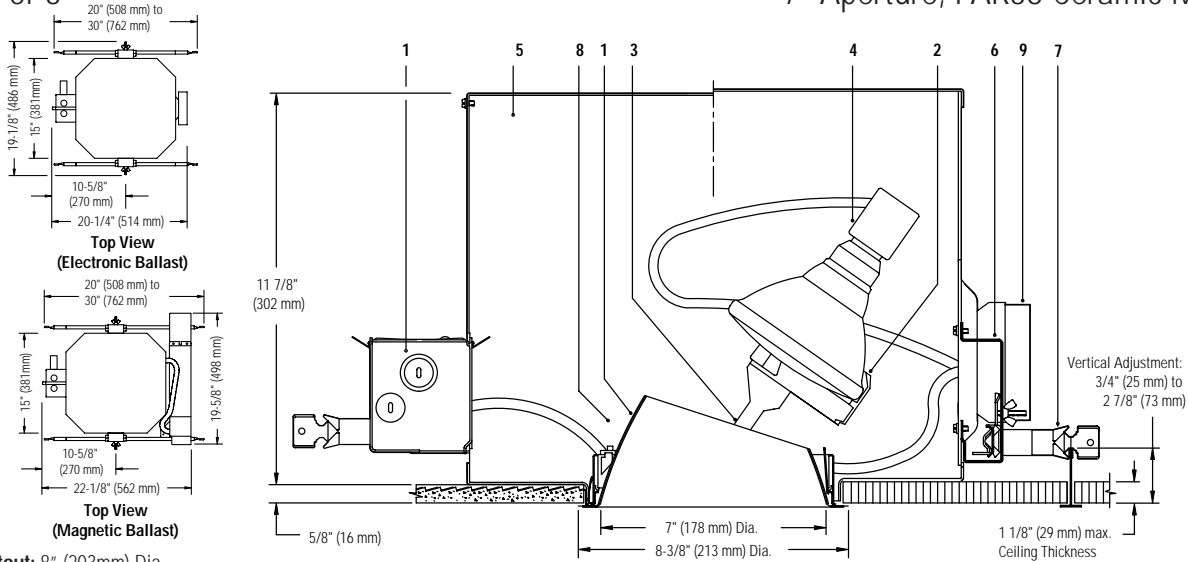




Calculite® HID Adjustable Accent **C7P38MHA**



Ceiling Cutout: 8" (203mm) Dia.

Reflector Trim	Frame-In Kit	Lamp (Ceramic MH)
C7P38MHA CLW Specular Clear, White Painted Flange.	C7A70P38E1 Electronic 120V / C7A70P38E2 Electronic 277V	70W PAR38
CLP Specular Clear, Matching Flange.	C7A10P38E1 Electronic 120V / C7A10P38E2 Electronic 277V	100W PAR38
CCDW Comfort Clear Diffuse, White Painted Flange.	C7A15P38E1 Electronic 120V / C7A15P38E2 Electronic 277V	150W PAR38
CCDP Comfort Clear Diffuse, Matching Flange.	C7A70P38U Magnetic 120V/277V	70W PAR38
CCZW Champagne Bronze, White Painted Flange.	C7A10P38U Magnetic 120V/277V	100W PAR38
CCZP Champagne Bronze, Matching Flange.	C7A15P38U Magnetic 120V/277V	150W PAR38

Features

- Reflector Trim:** Low brightness, anodized aluminum with integral flange in painted white or polished to match inside of cone.
- Lamp Holder Assembly:** Unitized optics insure alignment of lamp and aperture cone. Integral C-shaped media holder accepts up to two 4 3/4" media.
- Trim Adjustment Mechanism:** Provides 45° vertical tilt, 360°+ horizontal rotation; lockable. Patented EZ-Aim Helical Drive System provides fast and accurate hot aiming with Philips screwdriver.
- Socket:** Medium base porcelain socket with nickel plated screwshell, pulse rated.
- Frame Housing:** Steel, 0.029" (22-Ga.), matte black finish.
- Frame Vertical Adjustment Mechanism:** Accommodates mounting to virtually any ceiling system using pre-installed mounting bars, or 1/2" EMT tubing (by others). Single locking feature secures all adjustments. Alignment holes and markings allow fixture to be pre-set prior to installation. Final adjustment can be made from below from inside fixture.
- Mounting Bars:** Galvanized steel, 0.048" (18-ga.), pre-installed telescoping bars extend to 30" long and lock securely into position. Built-in locking tabs provide positive attachment to common T-bar systems. Self-centering feature simplifies installation in 24" O.C. grid systems. Attaches to steel or wood joists without accessories.
- Retention Springs:** Rust resistant springs secure trim for quick, tool-less installation.
- Ballast / Cover Assembly:** Accessible from below and removable without tools for inspection and ballast replacement.
- Junction Box:** 0.059" (16-ga.) galvanized steel. UL listed for 8 No. 12 AWG, 90°C through branch circuit conductors. Allows inspection from below.
- Thermal Protector:** (Not Shown) Meets NEC and UL requirements. Do not install insulation above nor within 3" (76mm) of any part of the luminaire.

Electrical

Electronic Ballast: 120V or 277V, 50/60 Hz., enclosed, high power factor, T.H.D. <15%, thermally and transient protected, RMI/RFI complies with FCC part 18 non-consumer limits, shut-down circuit at end of lamp life, sound rating "A", -5° F minimum starting temperature, Type 1 Outdoor rating.

Electrical (cont.)

Ballast	ANSI Code	Voltage	Max. Amps	Input Watts
70W MH	M98/M143	120/277	0.67/0.28	78
100W MH	M90/M140	120/277	0.90/0.43	110
150MWH	M102	120/277	1.40/0.61	167

Magnetic Ballast: 120/277V dual voltage, 60 Hz., enclosed and potted, HX-HPF circuit type, high power factor, sound rating "B", -20° F minimum starting temperature, Type 1 Outdoor rating.

Ballast	ANSI Code	Voltage	Max. Amps	Input Watts
70W MH	M98/M143	120/277	1.90/0.80	94
100W MH	M90/M140	120/277	2.40/1.10	125
150W MH	M102	120/277	3.70/1.60	180

Options and Accessories

Fuse (magnetic ballast): Add suffix **F1** or **F2** to Frame-In Kit (F1=120V, F2=277V).

Chicago Plenum: Consult Factory.

Labels: UL (Suitable For Damp Locations), CSA (magnetic ballast only), I.B.E.W.
For 150W, install fixtures with minimum spacing: 2 feet from center-to-center of adjacent luminaires; 1/2 inch from top of luminaire to overhead building member; 1 foot from luminaire center to side building member.

Job Information	Type:
Job Name:	
Cat. No.:	
Lamp(s):	
Notes:	

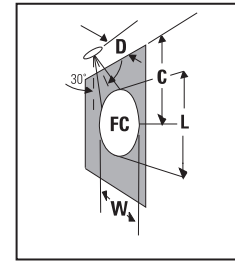
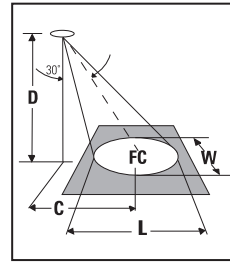
Lightolier a Genlyte Thomas Company www.lightolier.com
631 Airport Road, Fall River, MA 02720 • (508) 679-8131 • Fax (508) 674-4710
We reserve the right to change details of design, materials and finish.

LIGHTOLIER®

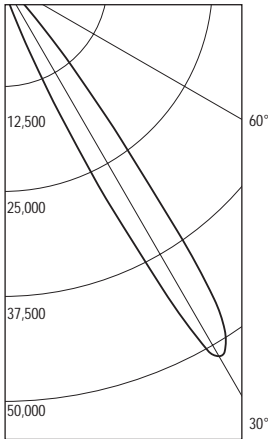


Calculite® HID Adjustable Accent **C7P38MHA**

(FC) is initial footcandles at center of beam. Beam length (L) and beam width (W) are to where the candlepower is reduced to 50% of the center beam candlepower. (C) is the distance to the center of the beam.



CANDLEPOWER DISTRIBUTION



70W PAR38 CERAMIC MH - SPOT

ANGLE WALL
 0 591
 5 494
 10 777
 15 1754
 20 6720
 25 25893
 30 51516
 35 36239
 40 10746
 45 2213
 50 541
 55 24
 60 0
 65 0
 70 0
 75 0
 80 0
 85 0
 90 0

AIMED 30°. TOWARD WALL

LAMP: 70W PAR38 SP CERAMIC MH, PHILIPS
 LUMEN RATING: 4800 LMS.

CBCP: 51516
 BEAM ANGLE: 12
 AROMAT ELECTRONIC BALLAST

DATE: FEB 26, 2004
 CERTIFIED TEST REPORT NO. 2485FR

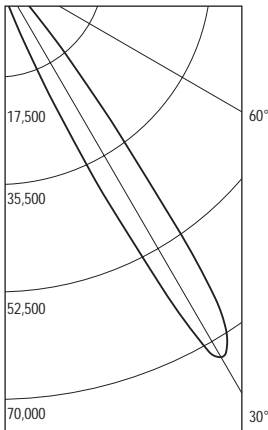
COMPUTED BY LSI PROGRAM
 TEST-LITE

30° Aiming Angle
Horizontal Surface

D	C	FC	L	W
6'	3.5'	929	1.7'	1.5'
8'	4.6'	523	2.3'	1.9'
10'	5.8'	335	2.8'	2.4'
12'	6.9'	232	3.4'	2.9'
15'	8.7'	149	4.2'	3.6'

30° Aiming Angle
Vertical Surface

D	C	FC	L	W
2'	3.5'	1610	1.7'	0.8'
3'	5.2'	716	2.6'	1.3'
4'	6.9'	402	3.5'	1.7'
6'	10.4'	179	5.2'	2.5'
8'	13.9'	101	7.0'	3.4'



100W PAR38 CERAMIC MH - SPOT

ANGLE WALL
 0 754
 5 617
 10 1017
 15 2401
 20 9437
 25 36599
 30 72897
 35 51255
 40 15140
 45 3051
 50 684
 55 0
 60 0
 65 0
 70 0
 75 0
 80 0
 85 0
 90 0

AIMED 30°. TOWARD WALL

LAMP: 100W PAR38 CERAMIC MH, PHILIPS
 LUMEN RATING: 6800 LMS.

CBCP: 72897
 BEAM ANGLE: 12
 AROMAT ELECTRONIC BALLAST

DATE: FEB 26, 2004
 CERTIFIED TEST REPORT NO. 2488FR

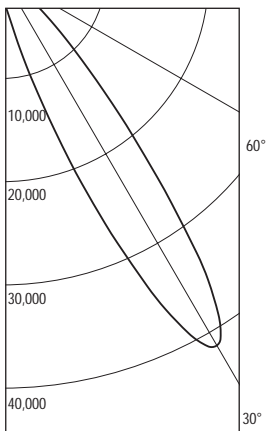
COMPUTED BY LSI PROGRAM
 TEST-LITE

30° Aiming Angle
Horizontal Surface

D	C	FC	L	W
8'	4.6'	740	2.3'	1.9'
10'	5.8'	473	2.8'	2.4'
12'	6.9'	329	3.4'	2.9'
15'	8.7'	210	4.2'	3.6'
20'	11.5'	118	5.6'	4.9'

30° Aiming Angle
Vertical Surface

D	C	FC	L	W
3'	5.2'	1012	2.6'	1.3'
4'	6.9'	570	3.5'	1.7'
6'	10.4'	253	5.2'	2.5'
8'	13.9'	142	7.0'	3.4'
12'	20.8'	63	10.4'	5.0'



150W PAR38 CERAMIC - SPOT

ANGLE WALL
 0 2034
 5 2897
 10 4305
 15 9181
 20 19173
 25 33229
 30 41456
 35 32864
 40 17863
 45 8682
 50 3530
 55 544
 60 62
 65 18
 70 0
 75 0
 80 0
 85 0
 90 0

AIMED 30°. TOWARD WALL

LAMP: 150W PAR38 SP CERAMIC MH, SYLVANIA
 LUMEN RATING: 9100 LMS.

CBCP: 41456
 BEAM ANGLE: 18
 AROMAT ELECTRONIC BALLAST

DATE: APR 7, 2004
 CERTIFIED TEST REPORT NO. 2583FR

COMPUTED BY LSI PROGRAM
 TEST-LITE

30° Aiming Angle
Horizontal Surface

D	C	FC	L	W
8'	4.6'	421	3.4'	2.9'
10'	5.8'	269	4.3'	3.7'
12'	6.9'	187	5.1'	4.4'
15'	8.7'	120	6.4'	5.5'
20'	11.5'	67	8.5'	7.3'

30° Aiming Angle
Vertical Surface

D	C	FC	L	W
3'	5.2'	576	4.1'	1.9'
4'	6.9'	324	5.5'	2.5'
6'	10.4'	144	8.2'	3.8'
8'	13.9'	81	11.0'	5.1'
12'	20.8'	36	16.4'	7.6'

Job Information Type:

Lightolier a Genlyte Thomas Company www.lightolier.com
 631 Airport Road, Fall River, MA 02720 • (508) 679-8131 • Fax (508) 674-4710
 We reserve the right to change details of design, materials and finish.

LIGHTOLIER®

Free Manuals Download Website

<http://myh66.com>

<http://usermanuals.us>

<http://www.somanuals.com>

<http://www.4manuals.cc>

<http://www.manual-lib.com>

<http://www.404manual.com>

<http://www.luxmanual.com>

<http://aubethermostatmanual.com>

Golf course search by state

<http://golfingnear.com>

Email search by domain

<http://emailbydomain.com>

Auto manuals search

<http://auto.somanuals.com>

TV manuals search

<http://tv.somanuals.com>