

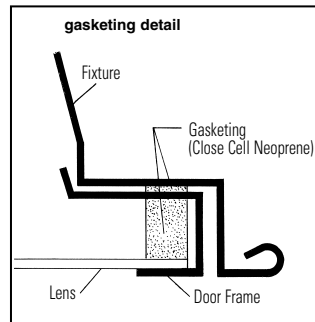
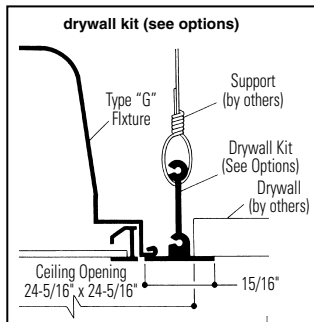
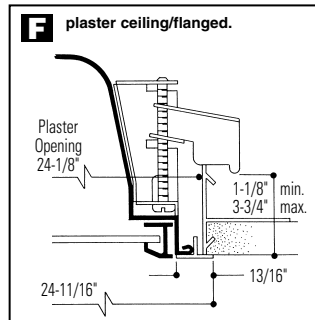
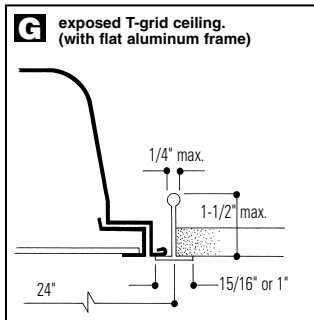
CXS SERIES 2x2

CLEANGUARD CLASS 10,000 CLEAN ROOM RECESSED FLUORESCENT 2 OR 3 LAMP, T8, 1-5/8" U LAMP, OR TT5

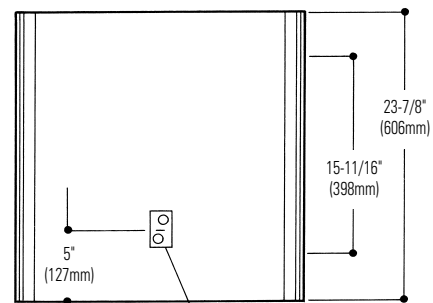
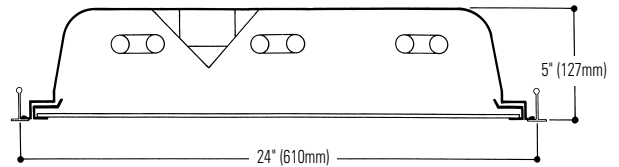
- Meets requirements for Federal Standard 209E Class 10,000 & 100,000 Clean Room tested by Independent Lab.
- UL and ULc Listed for wet or damp locations for covered ceiling use.
- Fits 15/16" to 1" wide face grid ceiling systems or flanged for drywall type ceilings. Contractor responsible for sealing fixture to ceiling.
- Full perimeter gasketing (closed cell Neoprene) between door frame and lens, between housing and door frame.
- Ends sealed to body.
- .125 pattern 12 lens installed smooth side down.
- Door frame is post painted, baked acrylic enamel.
- Hemmed over side rails for maximum safety.
- Spring loaded rooster head latches.
- 18 gauge steel hinges.
- Flat and regressed aluminum doors available.



MOUNTING METHODS



DIMENSIONS



2'x2-1/2" access plate
with two K.O.s (7/8" dia.)

FIXTURE TYPE _____ **VOLTS** _____

JOB INFORMATION: _____

LIGHTOLIER®


CXS SERIES 2x2

CLEANGUARD CLASS 10,000 CLEAN ROOM RECESSED FLUORESCENT

PHOTOMETRY

MODEL NO. CXS2GFSVI26U120SO

LER = FL - 56.0 IW - 53.7 BF - 0.87
Comparative yearly lighting energy cost per 1000 lumens = \$4.24



45 Industrial Way
Wilmington, MA 01887
(978) 657-7600

REPORT NO.: G02023 DATE: 02-04-02
CATALOG NO.: CXS2GFSVI26U120SO
LAMP(S): 2 T8 U6, EACH RATED 2750 LUMENS
LUMINAIRE: SPS FIXTURE WITH FS FRAME AND INVERTED LENS
HOWARD INDUSTRIES E2/32118-120FC
0.45 AMPS 53.7 WATTS

CANDELA DISTRIBUTION

	0.0	22.5	45.0	67.5	90.0
0	1361	1361	1361	1361	1361
5	1349	1349	1249	1352	1252
15	1267	1272	1280	1288	1291
25	1130	1140	1162	1175	1179
35	962	977	1003	1020	1028
45	770	785	813	828	834
55	574	590	611	624	631
65	376	390	403	419	426
75	185	193	197	208	212
85	36	39	37	40	46
90	0	0	0	0	0

FLUX

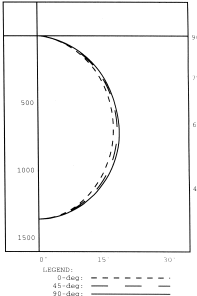
ZONAL LUMEN SUMMARY

ZONE	LUMENS	%LAMP	%FIXT
0-30	1023	18.6	29.5
0-40	1648	30.0	47.5
0-60	2814	51.2	81.1
0-90	3471	63.1	100.0
90-180	0	0.0	0.0
0-180	3471	63.1	100.0

TOTAL LUMINAIRE EFFICIENCY = 63.1 %
TOTAL REFLECTANCE OF PAINT = 90.0 %
CIE TYPE - DIRECT
PLANE SPACING CRITERIA : 0-DEG 90-DEG
PLANE : 0-DEG 90-DEG
LUMINOUS LENGTH : 21.960 21.960

LUMINANCE DATA IN CANDELA/SQ M

ANGLE IN DEG	AVERAGE	AVERAGE	AVERAGE
0-DEG	3499	3694	3790
45	3215	3423	3535
65	2859	3064	3239
75	2297	2446	2632
85	1327	1364	1475



THIS REPORT IS BASED ON PUBLISHED INDUSTRY PROCEDURES • FIELD PERFORMANCE MAY DIFFER FROM LABORATORY PERFORMANCE

coefficients of utilization — zonal cavity method (effective floor cavity reflectance 0.20)

RF	20			20			20			
RC	80			50			30			
RW	70	50	30	50	30	10	50	30	10	
room cavity ratio	1	69	66	63	62	60	58	59	58	56
	2	63	58	54	54	51	48	52	50	47
	3	57	51	46	48	44	41	46	43	40
	4	53	45	40	43	38	35	41	38	34
	5	48	41	35	38	34	30	37	33	30
	6	45	37	31	35	30	27	34	30	26
	7	42	33	28	32	27	24	31	27	23
	8	39	30	25	29	24	21	28	24	21
	9	36	28	23	27	22	19	26	22	19
	10	34	26	21	25	20	17	24	20	17

ORDERING INFORMATION

Explanation of Catalog Number. Example: CXS2GFSVI26U120SOGLR

CX	S	2	VI	LAMP QUANTITY: 2=2 Lamp 3=3 Lamp	VOLTAGE: 120 or 277	OPTIONS: Add appropriate suffix to catalog no., ie: (GLR)
CLEANGUARD WET LOCATION Class 10,000 or 100,000 Clean Room	STATIC	FIXTURE WIDTH	LENS FRAME: FS= Flat steel frame RA=Regressed aluminum frame FA=Flat aluminum frame	LAMP/ FIXTURE LENGTH: 2U=T8, 1-5/8" U Lamp 17=T8, 2" Lamp 6U=6" U Lamp (T8) FT=Twin Tube T5 (Nominal 24")	BALLAST TYPE: <20THD 1-1 & 1-2 Lamp Elec. T8 1-3 Lamp Elec. T8 1-1 & 1-2 Lamp Elec. TT5 (40 Watt) 1-3 Lamp Elec. TT5 LOL T8 Dimming LOL TT5 Dimming	<10THD SO* HI* O3* H3* SB* IB* X3* I3* PS - PB -
		CEILING TYPE: G= Grid (lay-in T bar) F=Flanged (overlap) Z spline and plaster frame	LENS/SHIELDING TYPE: Vi=(virgin acrylic) .125 standard. For options consult factory. Smooth side of lens towards room.			*Instant Start Standard

Other dimming options. Consult factory.

OPTIONS/ACCESSORIES

PLASTER FRAME: Catalog Number **PF24**.

CONTINUOUS ROW INSTALLATION: For F type fixtures, half width flanges are required between fixtures. Order Catalog Number: **S2FCTRIM** (each joint).

FUSING: Internal fast-blow fusing. SUFFIX: **GLR**.
Internal slow-blow fusing. SUFFIX: **GMF**.

ELECTRICAL/WIRING OPTIONS: Consult factory.

SPECIFICATIONS:

MATERIALS: Chassis parts are die-formed code gauge cold rolled steel. Housing with side rails hemmed over and housing ends turned-in for safe handling.

FINISH: Chassis exterior—black baked polyester enamel. Cavity—white baked polyester enamel minimum 86% reflectance. Phosphate undercoating.

LENSES: VI (standard) extruded virgin acrylic, 3/16" square based female cones, running 45° to the panel edge, .125" nominal thickness (similar to pattern 12).

ELECTRICAL: Thermally protected class "P" ballast C.B.M. approved, non PCB. If K.O. is within 3" of ballast, use wire suitable for at least 90°.

LABELS: I.B.E.W./UL and UL Listed.

We reserve the right to change design, materials and finish in any way that will not alter installed appearance or reduce function and performance.

LIGHTOLIER®

A Genlyte Thomas Company

TECHNICAL INFORMATION • (978) 657-7600
631 AIRPORT ROAD, FALL RIVER, MA 02720 • (508) 679-8131
C.F.I. DIVISION OF CANLYTE, INC.
525 EDUCATION ROAD, CORNWALL, ONTARIO
CANADA K6H 6C7 • (613) 938-6221

Free Manuals Download Website

<http://myh66.com>

<http://usermanuals.us>

<http://www.somanuals.com>

<http://www.4manuals.cc>

<http://www.manual-lib.com>

<http://www.404manual.com>

<http://www.luxmanual.com>

<http://aubethermostatmanual.com>

Golf course search by state

<http://golfingnear.com>

Email search by domain

<http://emailbydomain.com>

Auto manuals search

<http://auto.somanuals.com>

TV manuals search

<http://tv.somanuals.com>