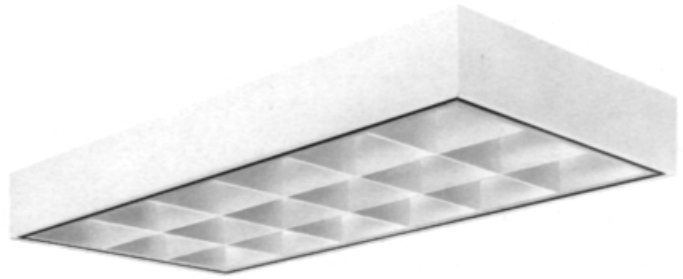


# DEEPCELL SURFACE **DPB2S18LS332**

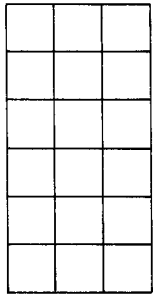
Page 1 of 2    2' x 4' SURFACE FLUORESCENT, 3" TYPE, 18 CELL PARABOLIC LOUVER, 3 LAMP T8 OR T12

## Features

- Only 5-1/2" deep.
- 20 gauge steel body.
- 45° mitered corners (body and louver).
- Side-mounted ballast for cooler operation.
- Coilzak® aluminum parabolic louver.
- Vertical grain on louver eliminates reflected lamp images on cross baffle.
- Perfectly uniform four-side black reveal.
- Spring-loaded "roosterhead" latches.
- Reversible louver hinging.
- Door jamb with integral positive light stop.
- Flush end K.O.s for smooth surface appearance (at end of row or individual).
- Protective film dust guard.
- Louver interchangeable with PrismaLyte (PNB)
- Meets NYC Code requirements.

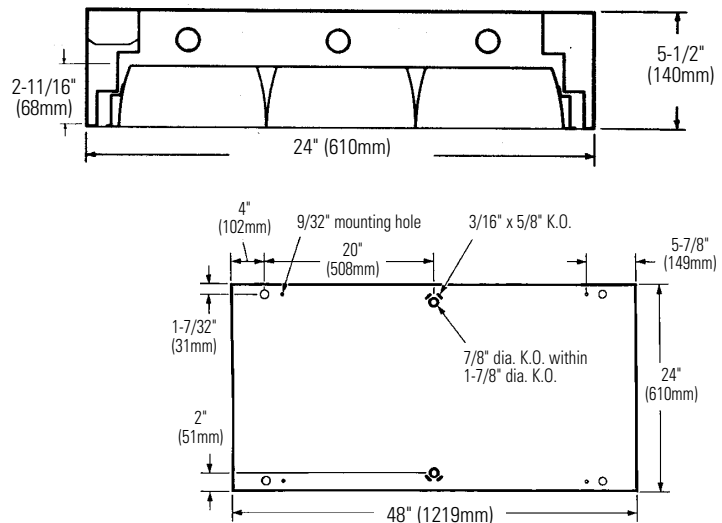


## LOUVER

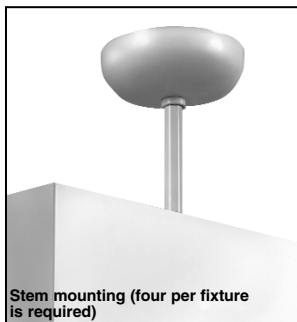


18 Cells

## DIMENSIONS



## MOUNTING METHOD



### Job Information

### Type:

**Job Name:**

**Cat. No.:**

**Lamp(s):**

**Volts/Ballast:**

Lightolier a Genlyte Thomas Company

www.lightolier.com

Technical Information: (978) 657-7600 • Fax (978) 658-0595

631 Airport Road, Fall River, MA 02720 • (508) 679-8131 • Fax (508) 674-4710

We reserve the right to change details of design, materials and finish.

© 2002 Genlyte Thomas Group LLC (Lightolier Division)

A0902

**Section 2A/Folio G50-81 REV. C**

**LIGHTOLIER**®



# DEEPCELL SURFACE DPB2S18LS332

Page 2 of 2 2' x 4' SURFACE FLUORESCENT, 3" TYPE, 18 CELL PARABOLIC LOUVER, 3 LAMP T8 OR T12

## PHOTOMETRY

**GT TESTING LABORATORY**  
45 Industrial Way  
Wilmington, MA 01887  
(978) 657-7600

REPORT NO.: G01025 DATE: 06-13-01  
CATALOG NO.: DPB2S18LS33212003  
LAMP(S): 3 F32/T8 TL841, EACH RATED 2850 LUMENS.  
LUMINAIRE: MODULAR 2X4 WITH 18 CELL LOUVER  
TRIAD E2321120/E1321S120  
.74 AMPS 97.7 WATTS

**CANDELA DISTRIBUTION**

	0.0	22.5	45.0	67.5	90.0	FLUX
0	2346	2346	2346	2346	2346	225
5	2350	2345	2347	2355	2351	582
15	2262	2296	2400	2511	2543	1145
25	2133	2235	2488	2719	2808	1501
35	1969	2131	2457	2691	2772	1449
45	1721	1860	2012	1926	1863	1077
55	1296	1302	1256	1150	1153	458
65	538	525	486	411	366	37
75	23	30	30	30	30	6
85	0	0	0	0	0	0
90	0	0	0	0	0	0

**ZONAL LUMEN SUMMARY**

ZONE	LUMENS	%LAMP	%FIXT
0-30	2053	21.7	31.2
0-40	3554	37.6	54.0
0-60	6080	64.3	92.4
0-90	6581	69.6	100.0
90-180	0	0.0	0.0
0-180	6581	69.6	100.0

**TOTAL LUMINAIRE EFFICIENCY = 69.6 %**  
**TOTAL REFLECTANCE OF PAINT = 92.8 %**  
CIE TYPE - DIRECT

PLANE : 0-DEG 90-DEG  
SPACING CRITERIA : 1.3 1.6  
SHIELDING ANGLES : 22 25  
PLANE : 0-DEG 90-DEG  
LUMINOUS LENGTH : 45.000 21.000

**LUMINANCE DATA IN FOOTLAMBERTS**

ANGLE	AVERAGE	AVERAGE
IN DEG	0-DEG	45-DEG 90-DEG
45	1165.	1362. 1251.
55	1082.	1048. 962.
65	610.	550. 415.
75	42.	56. 56.
85	0.	30. 35.

Checked: [Signature]  
Approved: [Signature]

## MODEL NO. DPB2S18LS33212003

### coefficients of utilization — zonal cavity method

	20			50			80		
	RF	RC	RW	RF	RC	RW	RF	RC	RW
1	78	75	73	71	69	68	68	67	65
2	72	68	64	64	61	59	62	60	58
3	67	61	56	58	54	51	56	53	51
4	62	55	50	52	48	45	51	47	44
5	57	49	43	47	42	39	45	41	38
6	52	44	38	42	37	34	41	37	34
7	48	39	34	38	33	29	37	33	29
8	44	35	30	34	29	25	33	29	25
9	41	31	26	30	25	22	29	25	22
10	38	28	23	27	23	19	27	22	19

### visual comfort probability

room size	ceiling height				ceiling height					
	W	L	8.5	10.0	13.0	16.0	8.5	10.0	13.0	16.0
20	20	20	75	69	69	77	77	73	71	78
20	20	30	78	73	67	67	80	76	72	69
20	20	40	80	76	71	68	83	79	76	72
20	20	60	80	76	74	71	84	81	79	75
30	20	20	80	74	69	76	82	76	71	76
30	30	20	83	77	68	66	84	79	73	68
30	30	30	84	80	72	67	86	81	76	70
30	30	40	84	80	75	70	87	83	79	73
30	30	60	84	80	75	71	88	84	80	76
40	20	20	80	77	73	76	82	79	74	76
40	30	20	84	79	72	67	85	82	75	68
40	40	20	85	82	75	68	87	84	78	71
40	60	20	86	82	78	71	88	85	81	73
40	80	20	86	82	78	72	89	86	82	76
40	100	20	86	82	78	72	89	86	84	78
60	30	20	84	79	74	70	85	82	77	70
60	40	20	86	82	77	70	87	84	80	73
60	60	20	86	83	80	73	88	86	82	75
60	80	20	86	84	80	75	89	87	84	77
60	100	20	86	84	80	75	89	87	84	79
100	40	20	86	82	77	72	87	84	80	75
100	60	20	86	83	80	75	88	86	83	77
100	80	20	86	84	81	77	89	87	84	79
100	100	20	86	83	81	77	89	87	85	81

## ORDERING INFORMATION Explanation of Catalog Number. Example: DPB2S18LS33212003GLR

DP	B	2	S			S	3				
<b>DEEPCELL PARABOLIC:</b> Pre-anodized Aluminum Louver	<b>BODY STYLE:</b> Surface Box	<b>FIXTURE WIDTH</b>	<b>CEILING TYPE:</b> S=Surface	<b>NUMBER OF CELLS</b> 18 or 24	<b>LOUVER FINISH*:</b> L= Low-iridescence semi-specular (standard) P= Low-iridescence specular W= White Paint	<b>BALLAST COVER</b>	<b>LAMP QUANTITY:</b> (By Others) 3-3 Lamp	<b>VOLTAGE:</b> 120 or 277	<b>LAMP/ FIXTURE LENGTH:</b> 32=T8 34=T12 (Nominal 48")	<b>BALLAST TYPE:</b> 1 & 2 Lamp Mag. 1 & 2 Lamp Elec. T8 1-3 Lamp Elec. T8 LOL Dimming T8 *Instant Start Standard Other dimming options. Consult factory.	<b>OPTIONS:</b> Add appropriate suffix to catalog no., ie: (GLR) <b>LE</b> <20THD <b>SO*</b> <10THD <b>O3*</b> <b>H1*</b> <b>PS</b> <b>H3*</b>

\*Consult factory for availability of louver finishes.

## OPTIONS & ACCESSORIES

**STEM AND CANOPY SETS:** Suspends fixture 6", 12", 18" or 24" from surface. (Four per fixture is recommended.) **Catalog Number: ASC6 CSP (6"), ASC12 CSP (12"), ASC18 CSP (18"), ASC24 CSP (24")**

**FUSING:** Internal fast-blow fusing.

SUFFIX: **GLR.**

Internal slow-blow fusing.

SUFFIX: **GMF.**

**RADIO INTERFERENCE FILTER** 120 or 277 volt, 50 or 60 Hz. One per fixture is standard. SUFFIX: **RF.**

**ELECTRICAL/WIRING OPTIONS** Consult factory.

## SPECIFICATIONS

**PERFORMANCE:** In an installation of 3 lamp 32W luminaires in a room cavity ratio of 1, with a reflectance of 80% ceiling, 50% wall, 20% floor, the C.U. shall not be less than .75. To prevent glare the VCP shall be not less than 85 either lengthwise or cross wise (at 100fc level) and the average brightness at 65° shall not exceed 610 footlamberts. To control veiling reflections, luminaire output in the 30°-90° zone shall be not less than 69%.

## SPECIFICATIONS (continued)

**MATERIALS:** Chassis parts are die-formed 20 gauge cold rolled steel, stud-welded for rigidity with all seams finished smooth.

**LOUVER:** pre-anodized aluminum (Coilzak® or equal).

**STANDARD FINISH:** Louver—low iridescence, semi-specular pre-anodized vertical grain reflector sheet. Cavity—white baked acrylic enamel minimum 86% reflectance. Phosphate undercoating. Chassis exterior—white baked acrylic enamel.

**ELECTRICAL:** Thermally protected class "P" ballast C.B.M. approved, non PCB. If K.O. is within 3" of ballast, use wire suitable for at least 90°.

**LABELS:** I.B.E.W./UL and C-UL.

## Job Information

Type:

**Lightolier** a Genlyte Thomas Company [www.lightolier.com](http://www.lightolier.com)  
Technical Information: (978) 657-7600 • Fax (978) 658-0595  
631 Airport Road, Fall River, MA 02720 • (508) 679-8131 • Fax (508) 674-4710  
We reserve the right to change details of design, materials and finish.  
© 2002 Genlyte Thomas Group LLC (Lightolier Division)  
A0902 **Section 2A/Folio G50-81 REV. C**

# LIGHTOLIER

## Free Manuals Download Website

<http://myh66.com>

<http://usermanuals.us>

<http://www.somanuals.com>

<http://www.4manuals.cc>

<http://www.manual-lib.com>

<http://www.404manual.com>

<http://www.luxmanual.com>

<http://aubethermostatmanual.com>

Golf course search by state

<http://golfingnear.com>

Email search by domain

<http://emailbydomain.com>

Auto manuals search

<http://auto.somanuals.com>

TV manuals search

<http://tv.somanuals.com>