

READ AND UNDERSTAND THESE INSTRUCTIONS BEFORE INSTALLING FIXTURE

This fixture is intended for installation in accordance with the National Electrical Code and local regulations. To assure full compliance with local codes and regulations, check with your local electrical inspector before installation. To prevent electrical shock, turn off electricity at fuse box before proceeding.

Retain these instructions for maintenance reference.

INSTRUCTION SHEET NO.

IS:26556MCY

0798

Page 1 of 2

INSTALLATION INSTRUCTIONS FOR ATTACHING AND OPERATING ProSpec™ TRACK LIGHTING FIXTURE. FOR JUNCTION BOX MOUNT.

CAUTION:

- Turn off power at fuse box before installing fixture.
- Fixture temperature is extremely high during operation. Use heat resistant gloves or other heat resistant materials to protect hands when adjusting or handling the fixture during operation.
- Do not install fixture near combustible materials.
- Fixture is not for residential use.
- Electrical supply to fixture must be 120 volts. Electrical supply can be AC or DC.
- Do not mount fixture on a wall.

INSTRUCTIONS FOR ATTACHING FIXTURE TO J-BOX (Fig. 1)

CANOPY is designed for a 4" octagon OUTLET BOX. FIXTURE can mount to different OUTLET BOXES as long as box mounting holes are on 3.5" centers and FIXTURE CANOPY covers box completely. Box mounting holes should be tapped with 8-32 thread.

1. Thread 8-32 STUDS into J-BOX. STUDS should extend from J-BOX at least one inch.
2. WHILE SUPPORTING FIXTURE, MAKE CONNECTIONS: BLACK FIXTURE LEAD to HOT (BLACK) SUPPLY LEAD; WHITE FIXTURE LEAD to NEUTRAL (WHITE) SUPPLY LEAD. UNINSULATED FIXTURE WIRE is a ground and must be connected to GROUND TERMINAL or GROUND LEAD inside OUTLET BOX. Use WIRE NUTS (local hardware item). Push connections back into OUTLET BOX.
3. Push CANOPY against ceiling passing STUDS through holes in CANOPY. Make sure wires are not pinched.
4. Thread 2 CAP SCREWS onto STUDS. Drive CAP SCREWS until CANOPY is tight against the ceiling.

CAUTION: CAP SCREWS must be completely threaded onto the STUDS.

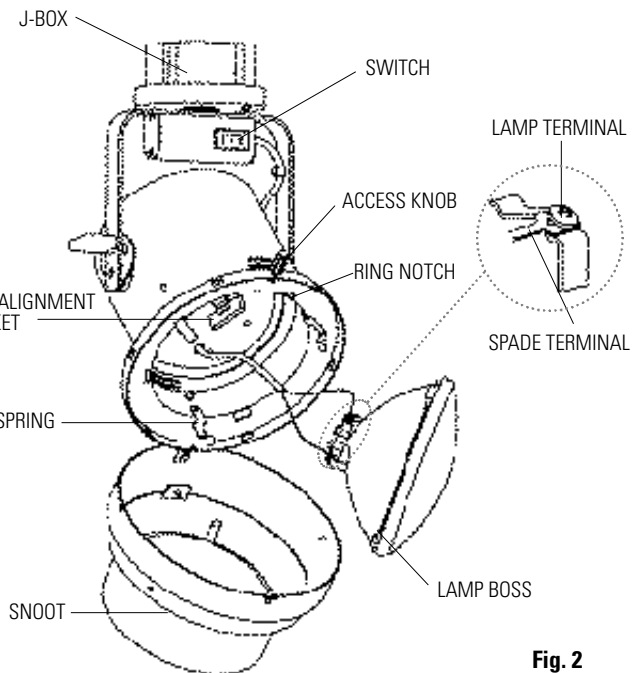
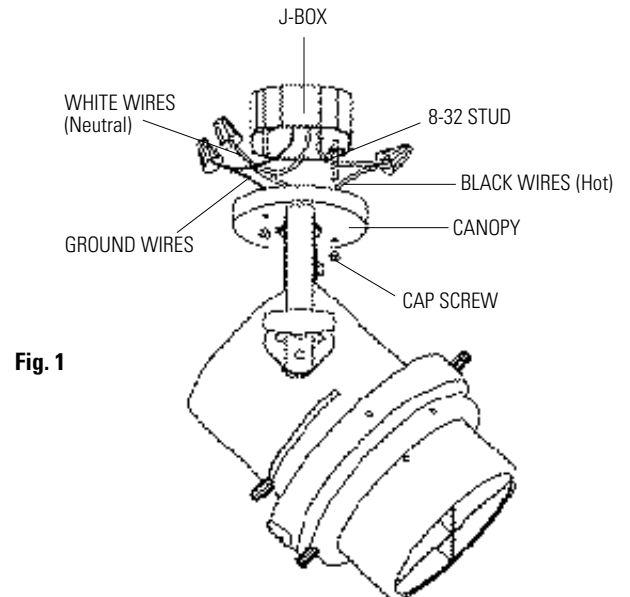
NOTE: The proper LAMP should be installed into the FIXTURE prior to energizing. See instructions below.

LAMPING & USING ACCESSORIES (Fig. 2)

The following lamps may be used in the FIXTURE:

Fixture Cat. No.	26556M, WHCY, BKCY
Lamp	12 Volt PAR 56 Screw Terminal 120 to 240 Watt

1. Holding SNOOT loosen ACCESS KNOB a few turns until SNOOT opens.
2. Screw SPADE TERMINALS into LAMP TERMINALS.
3. Align 3 LAMP BOSSES with 3 RING NOTCHES. Align LAMP SCREW TERMINALS with LAMP ALIGNMENT BRACKET. Push LAMP into FIXTURE until LAMP SPRINGS hold LAMP.
NOTE: The 3 LAMP BOSSES must sit in the 3 RING NOTCHES after the LAMP is installed.
4. Removing LAMP: Snap LAMP out of LAMPSPRINGS. Unscrew LAMP TERMINALS.



LIGHTOLIER®

LIGHTOLIER a GENLYTE company.

631 Airport Road, Fall River, MA 02720

READ AND UNDERSTAND THESE INSTRUCTIONS BEFORE INSTALLING FIXTURE

This fixture is intended for installation in accordance with the National Electrical Code and local regulations. To assure full compliance with local codes and regulations, check with your local electrical inspector before installation. To prevent electrical shock, turn off electricity at fuse box before proceeding.

Retain these instructions for maintenance reference.

INSTRUCTION SHEET NO.

IS:26556MCY

0798

Page 2 of 2

ACCESSORIES (Fig. 3)

1. With SNOOT open accessories can be installed or removed.
2. INSTALLING ACCESSORIES: Push accessory(s) into SNOOT snapping them into ACCESSORY SPRINGS.

NOTE: There must always be (1) accessory or clear glass installed in the SNOOT for safety reasons. This FIXTURE takes (2) accessories maximum with or without CROSSBLADE.

3. REMOVING ACCESSORIES: Push ACCESSORIES out of ACCESSORIES SPRING. Push one ACCESSORY SPRING against SNOOT if accessory is difficult to remove. CROSSBLADE may be removed. Pull CROSSBLADE out of SNOOT.

CLOSE SNOOT OVER LAMP (Fig. 3)

1. Rotate SNOOT until SLOT mates with ACCESS KNOB.
2. Tighten ACCESS KNOB to secure SNOOT.

FIXTURE OPERATION (Fig. 4)

Turn LAMP on or off by activating the switch. (Fig. 2)

SETTING HORIZONTAL ROTATION

1. Rotate fixture to desired horizontal position. Fixture provides 360° rotation.

CAUTION: There is a STOP that prevents the FIXTURE from being adjusted more than 360°. Do not force FIXTURE against the STOP. Rotate the FIXTURE in the opposite direction to obtain the proper aiming location.

SETTING VERTICAL ROTATION

1. Loosen SIDE KNOB.
2. Turn FIXTURE to desired vertical position. The FIXTURE adjust 90° in the vertical direction.

Do not force past the adjustability limits.

3. Tighten SIDE KNOB.

SETTING LAMP ROTATION

1. Loosen LAMP ADJUSTMENT KNOB a few turns.
2. Drive LAMP ADJUSTMENT KNOB in 180° slot.
3. Tighten LAMP ADJUSTMENT KNOB after LAMP is in desired position.

SETTING ACCESSORY ROTATION

1. Loosen ACCESSORY KNOB a few turns.
2. Rotate SNOOT to desired position. SNOOT rotates 360°.
3. Tighten ACCESSORY KNOB.

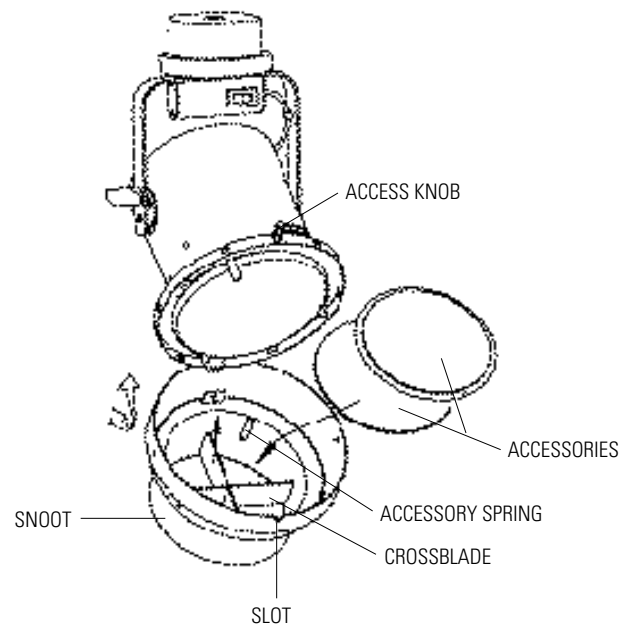


Fig. 3

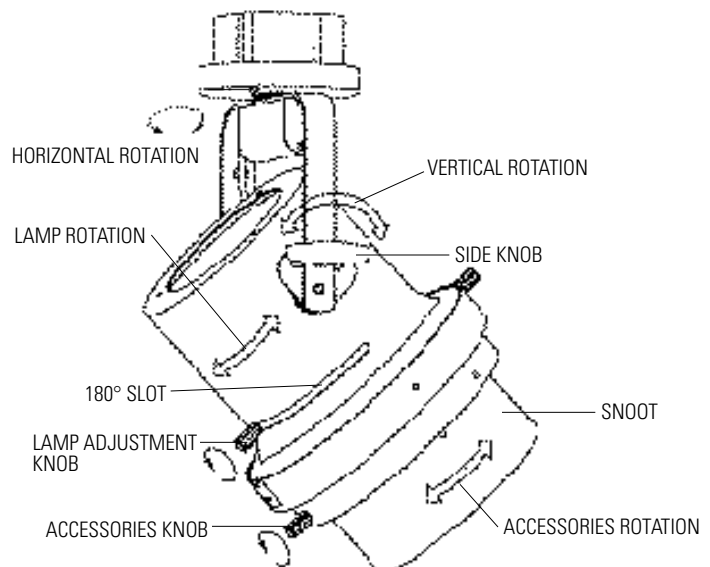


Fig. 4

LIGHTOLIER®

LIGHTOLIER a GENLYTE company.

631 Airport Road, Fall River, MA 02720

Free Manuals Download Website

<http://myh66.com>

<http://usermanuals.us>

<http://www.somanuals.com>

<http://www.4manuals.cc>

<http://www.manual-lib.com>

<http://www.404manual.com>

<http://www.luxmanual.com>

<http://aubethermostatmanual.com>

Golf course search by state

<http://golfingnear.com>

Email search by domain

<http://emailbydomain.com>

Auto manuals search

<http://auto.somanuals.com>

TV manuals search

<http://tv.somanuals.com>