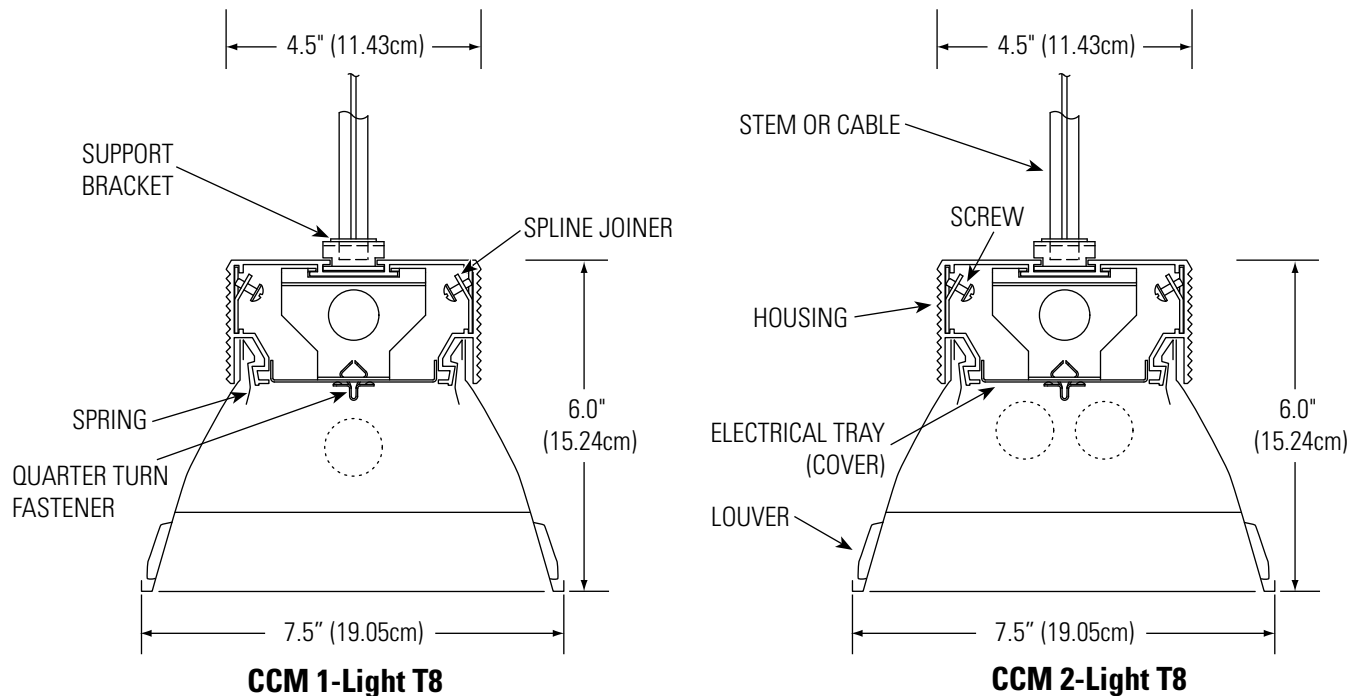


READ AND UNDERSTAND THESE INSTRUCTIONS BEFORE PROCEEDING.
RETAIN THESE INSTRUCTIONS FOR MAINTENANCE REFERENCE.

This fixture is intended for installation in accordance with the National Electrical Code and local regulations. To assure full compliance with local codes and regulations, check with your local electrical inspector before installation. To prevent electrical shock, turn off electricity at electrical panel before proceeding.

DO NOT INSTALL THIS SYSTEM IN A WET OR DAMP LOCATION.
DO NOT ENERGIZE ANYTHING OTHER THAN THE FIXTURES IN THE SYSTEM.
DO NOT OVERLOAD FEED CABLE, 10 AMP MAX FOR SJT 18-3 AND 7 AMP MAX FOR SJT 18-4 & 18-5.

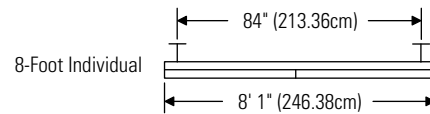
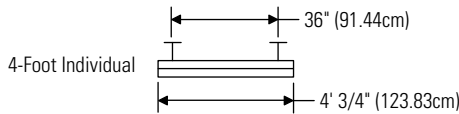
CONTRACTOR IS RESPONSIBLE FOR ADEQUATELY REINFORCING CEILING TO SUPPORT FIXTURE WEIGHT.



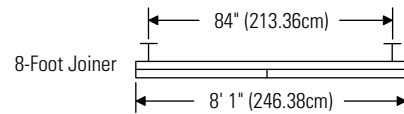
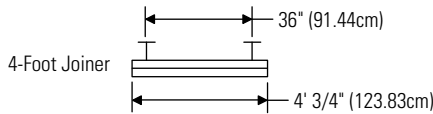
FIXTURE DIMENSIONS

Note: Mounting dimensions are adjustable.

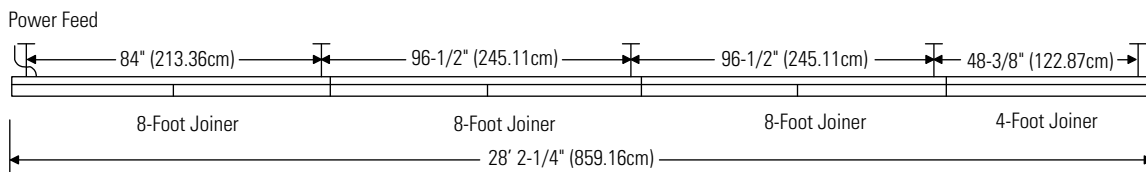
Individual Fixtures



Joiner Fixtures



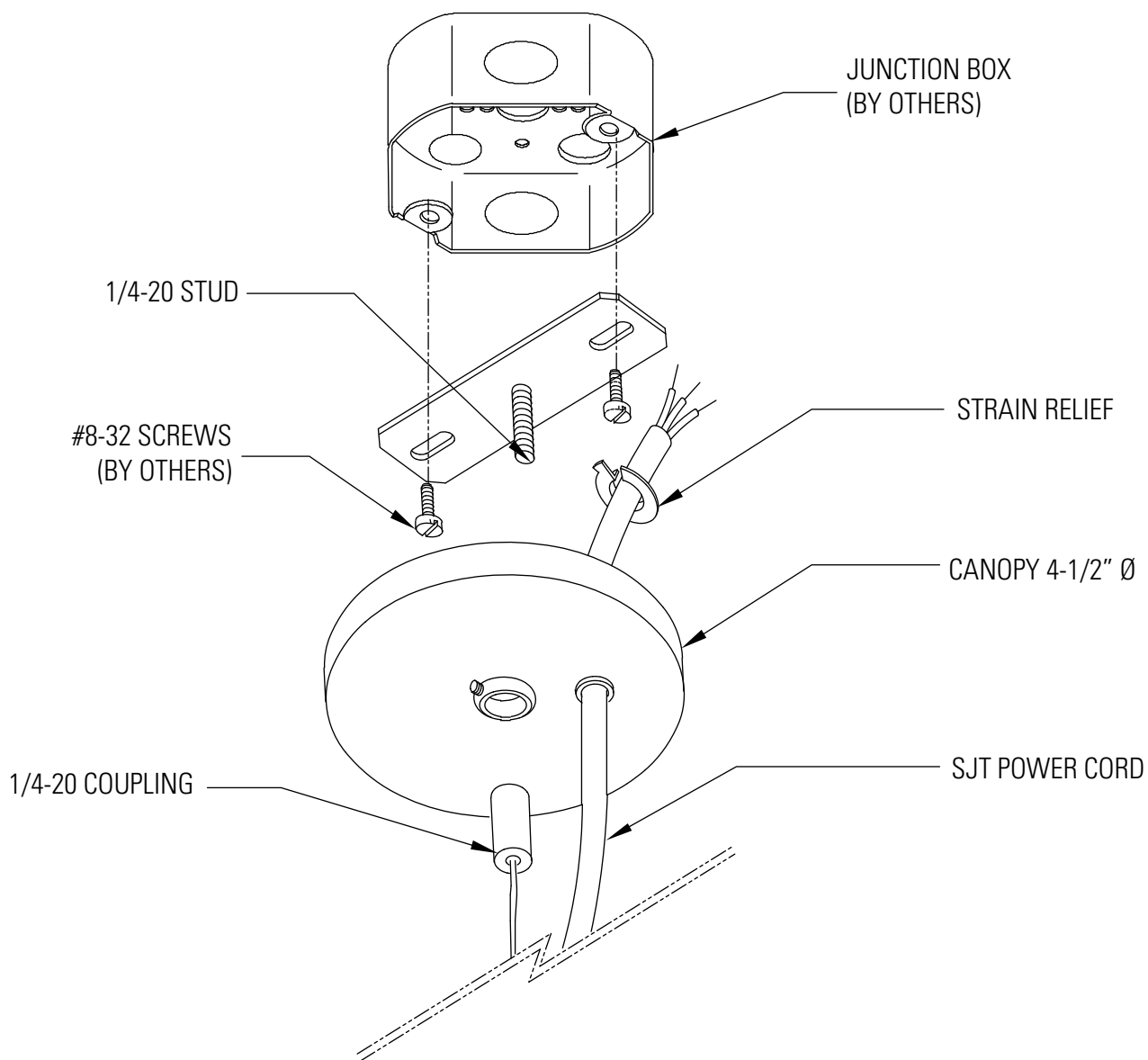
Sample Run with Mounting Dimensions



CABLE MOUNTING

CANOPY DETAIL - JUNCTION BOX

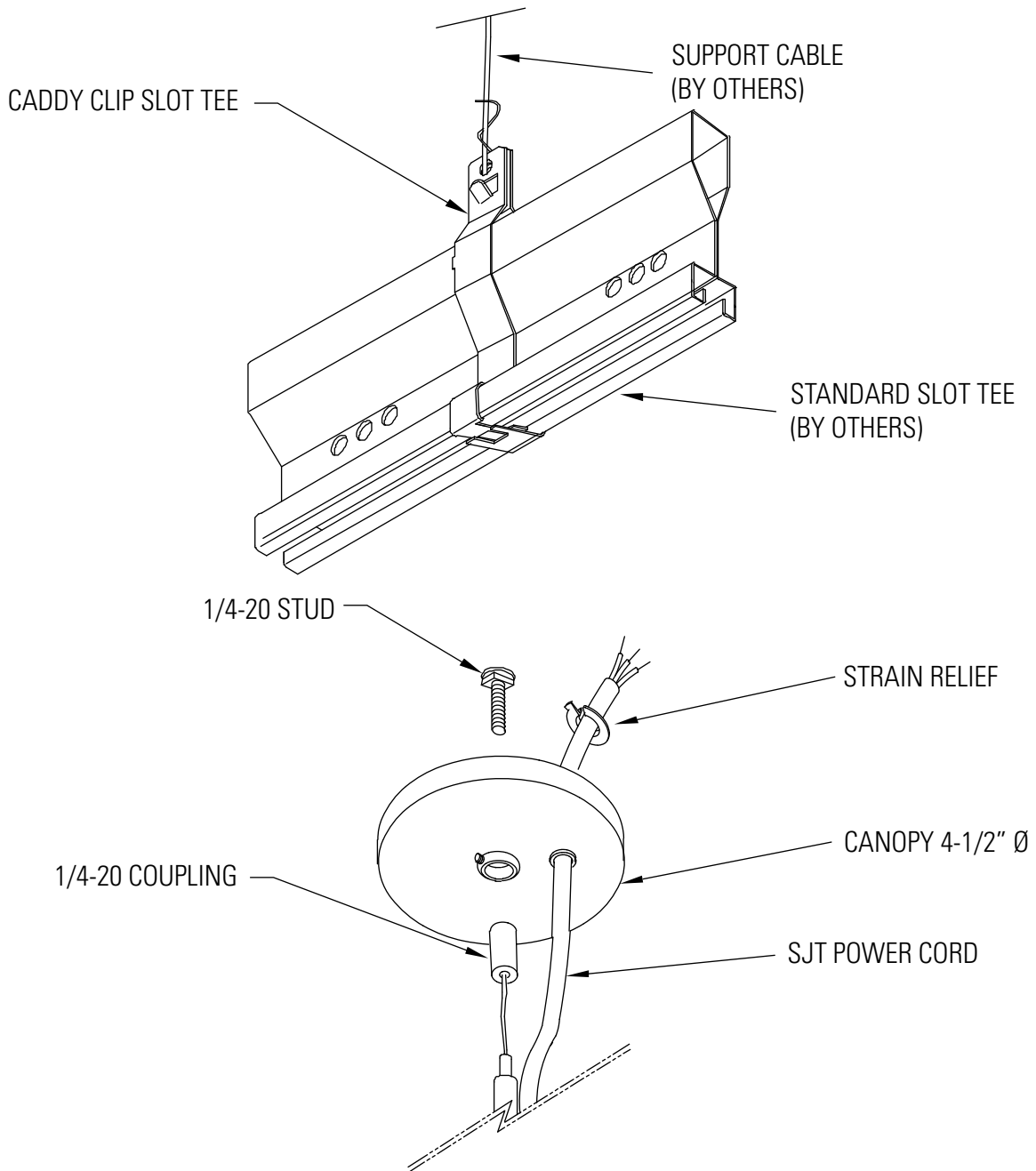
Make all canopy connections to ceilings before beginning installation.



CABLE MOUNTING (CONT'D)

CANOPY DETAIL - SLOT TEE

Make all canopy connections to ceilings before beginning installation.

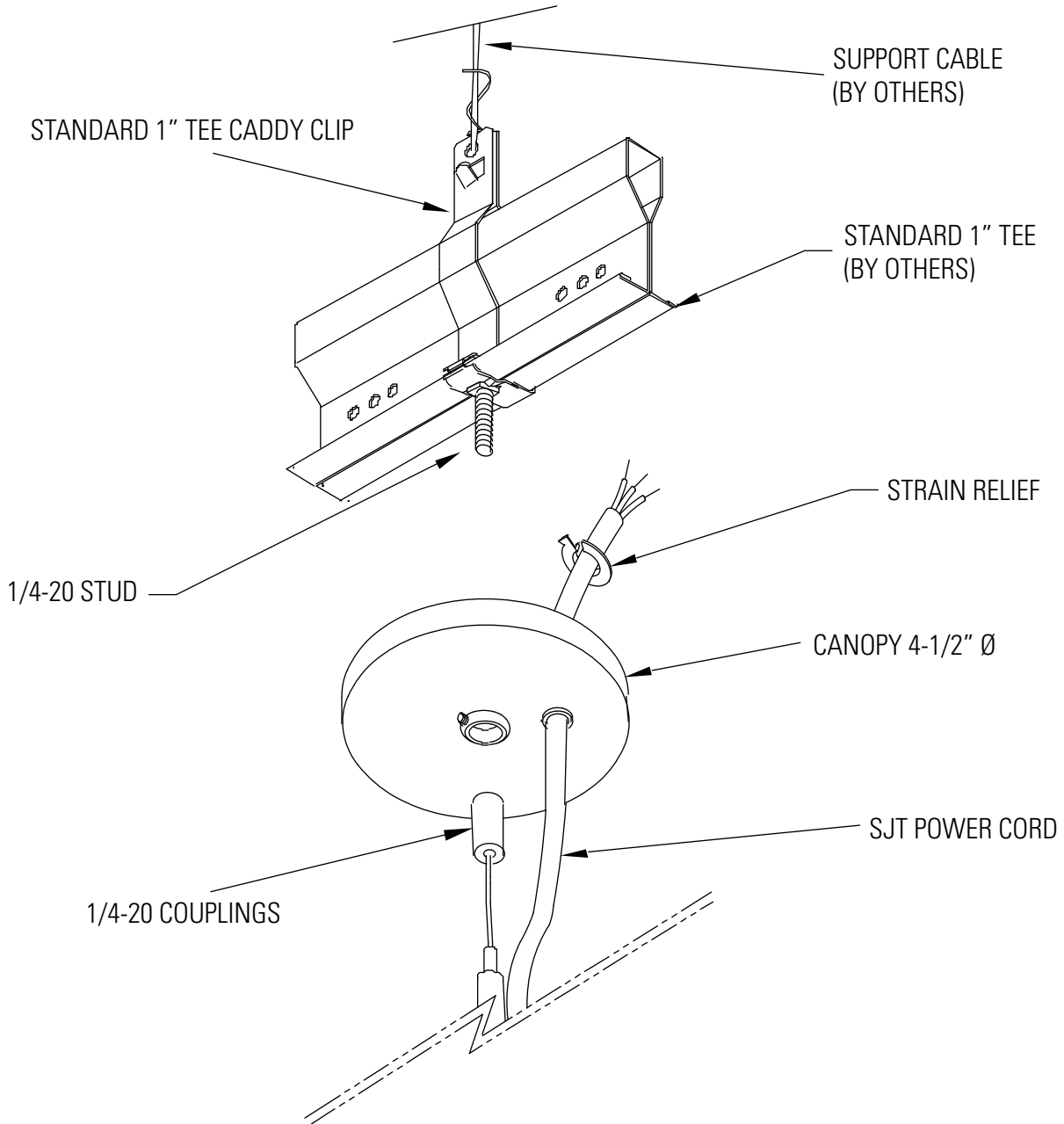


631 Airport Road, Fall River, MA 02720 • (508) 679-8131 • Fax (508) 674-4710
We reserve the right to change details of design, materials and finish.
www.lightolier.com © 2008 Philips Group • C1108

CABLE MOUNTING (CONT'D)

CANOPY DETAIL - STANDARD 1" TEE

Make all canopy connections to ceilings before beginning installation.



STEM MOUNTING

Step 1. Mark and Drill Mounting Holes

- Mark off mounting distances starting from J-BOX CENTER to MOUNTING CENTERS. (Fig. 1)
- Mark ceiling using MOUNTING PLATE as template and drill holes as required.
- IMPORTANT! Orientation of MOUNTING PLATE is very critical. (Fig. 1)

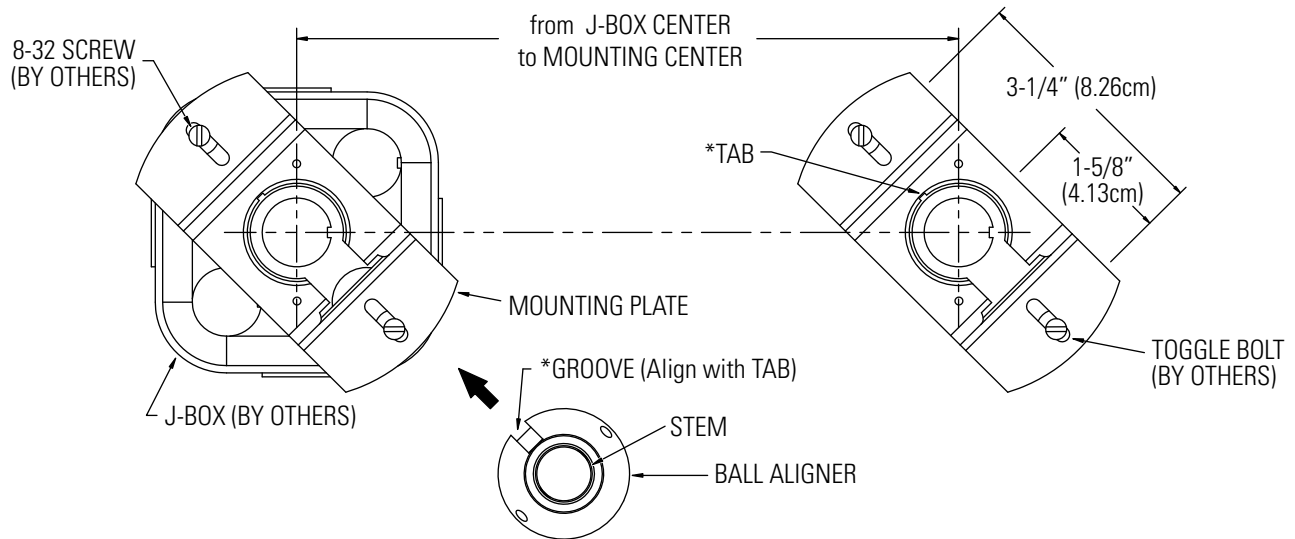


Figure 1

Step 2.

- Attach MOUNTING PLATE to J-BOX (by others) using two (2) 8-32 SCREWS (by others).
- Attach MOUNTING PLATE as required to complete pattern with two (2) TOGGLE BOLTS (by others) per MOUNTING PLATE. (Fig. 2)

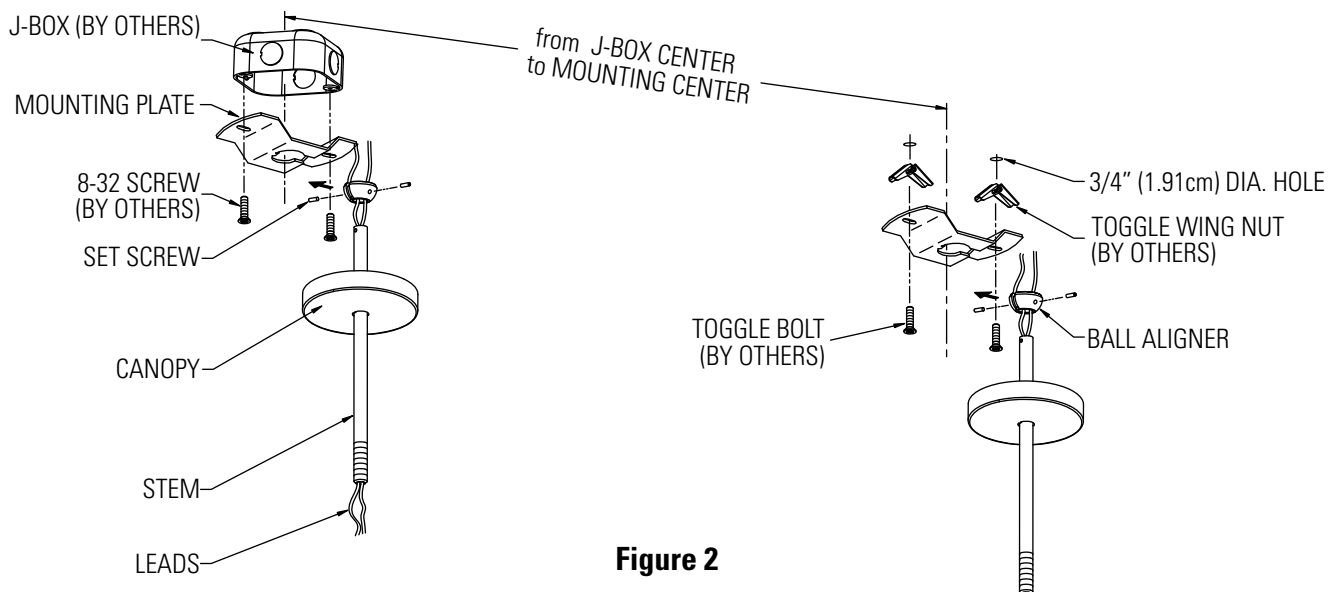


Figure 2

631 Airport Road, Fall River, MA 02720 • (508) 679-8131 • Fax (508) 674-4710
 We reserve the right to change details of design, materials and finish.
www.lightolier.com © 2008 Philips Group • C1108

INDIVIDUAL FIXTURES

Step 1.

- A. Remove ELECTRICAL TRAY. (Pg.1 cross sections)
- B. Thread CABLE or STEM through the SUPPORT BRACKET. (Fig. 3)
- C. Align center of SUPPORT BRACKET onto hole in the HOUSING and fasten securely with (1) 8-32 x 1/4" SCREW.

Step 2.

- A. Install END PLATES into the fixture HOUSING and fasten securely. (Fig. 3)

Step 3.

- A. Proceed to hang the fixture HOUSING.

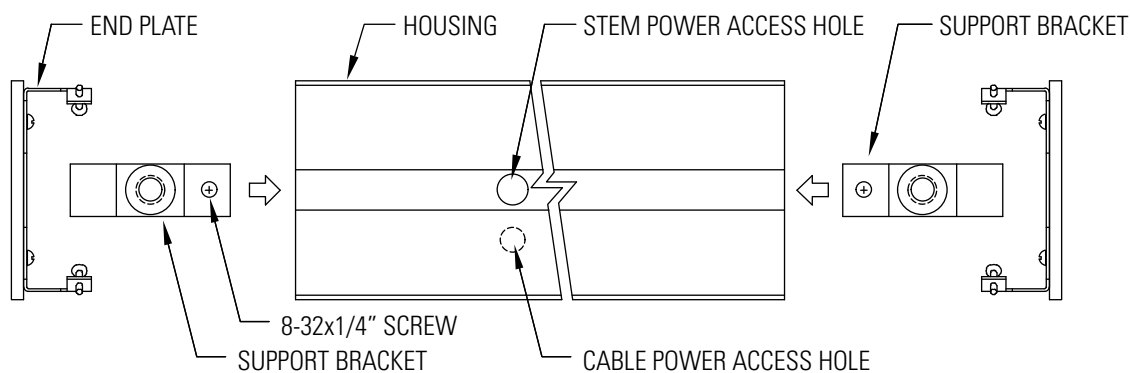


Figure 3

TANDEM FIXTURES

Step 1.

- A. Remove ELECTRICAL TRAY. (Pg.1 cross sections)
- B. Thread CABLE or STEM through the SUPPORT BRACKET. (Fig. 4)
- C. Align center of SUPPORT BRACKET onto hole in the HOUSING and fasten securely with (1) 8-32 x 1/4" SCREW.

Step 2.

- A. Install END PLATES into the starter fixture HOUSING and fasten securely. (Fig. 4)

Step 3.

- A. Align SPLINE JOINERS and fasten securely. (Fig. 4)
- B. Proceed to hang the starter fixture HOUSING.
- C. Hang the next HOUSING.
- D. Slide SPLINE JOINERS from previous HOUSING into the next HOUSING. Fasten securely. (Fig. 4)

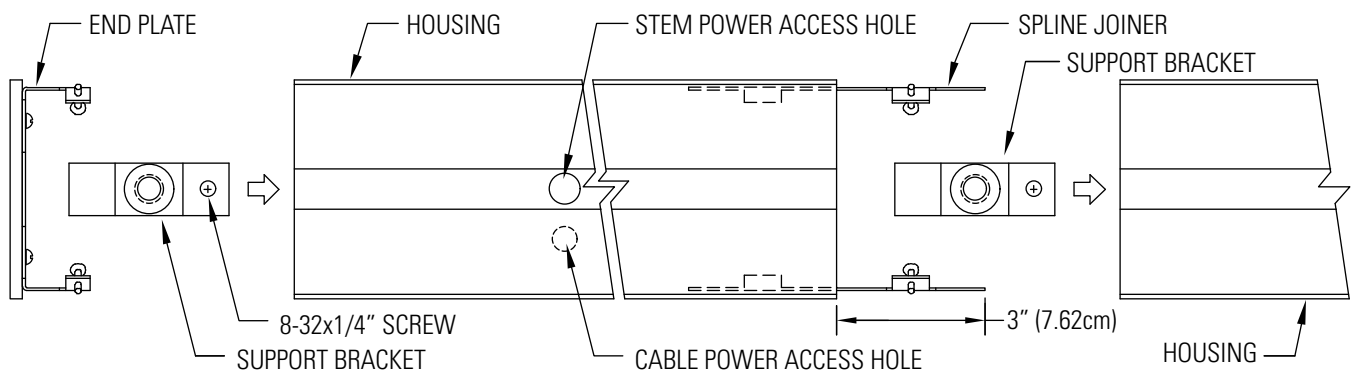


Figure 4

Step 4.

- A. Hold ELECTRICAL TRAYS while making electrical connections per local code.
- B. Then proceed to install the ELECTRICAL TRAYS and fasten securely by means of (2) QUARTER TURN FASTENERS which rotate to lock in place. (Fig. 5 & Pg. 1 cross sections)

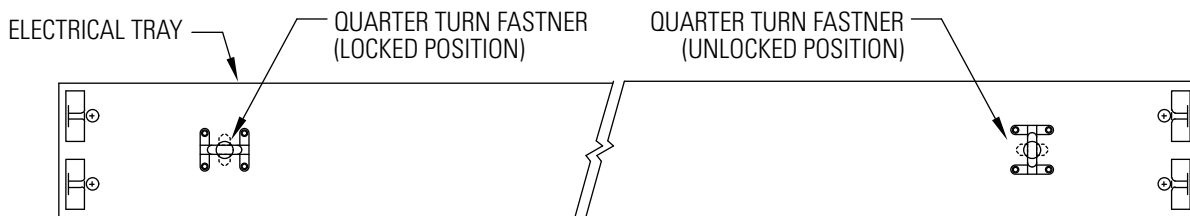


Figure 5

Step 5.

- A. Once installed the complete run, install appropriate lamps (by others).
- B. Install the LOUVERS as shown in cross section on page 1.

Free Manuals Download Website

<http://myh66.com>

<http://usermanuals.us>

<http://www.somanuals.com>

<http://www.4manuals.cc>

<http://www.manual-lib.com>

<http://www.404manual.com>

<http://www.luxmanual.com>

<http://aubethermostatmanual.com>

Golf course search by state

<http://golfingnear.com>

Email search by domain

<http://emailbydomain.com>

Auto manuals search

<http://auto.somanuals.com>

TV manuals search

<http://tv.somanuals.com>