

Lytecel Recessed Fluorescent LIS9G12PR132

Page 1 of 2

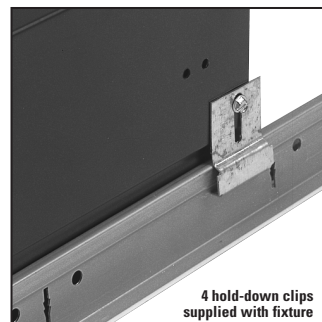
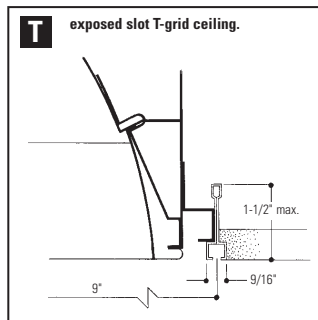
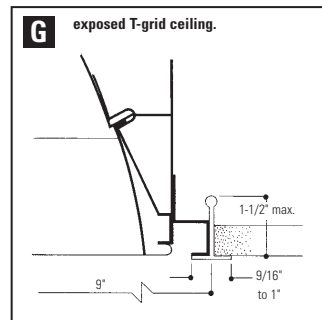
9" x 48", 12 Cell (1 Row) Parabolic Louver, Static or Air Supply/Return, 1 Lamp T8
IES RP1 For VDT Areas

Features

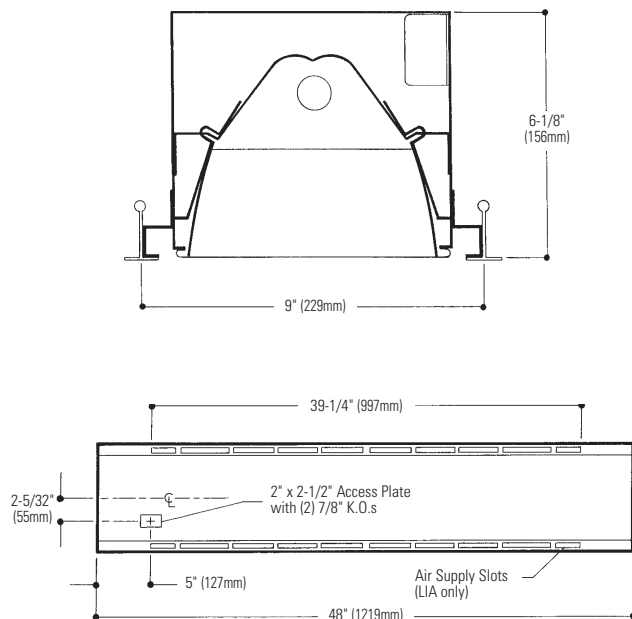
- Meets IES RP1 for lighting VDT areas.
- 65.2% efficient (T8).
- 1.5 spacing mounting ratio.
- Specular, low iridescence, pre-anodized aluminum louver.
- Vertical grain on louver eliminates reflected lamp image on cross baffle.
- Louver frame with positive light stop.
- Spring loaded latches (self centering).
- Reversible louver hinging.
- Louver has protective dust guard.
- Only 6-1/8" deep body.
- Black housing exterior for cooler ballast operating temperature.
- Turned-in edges for safe handling.
- UL-Listed twin knockout access plate.
- Air closure strips (optional).
- Construction to meet NYC Code or Chicago Plenum is available.
- Optional DALI ballast accepts digital dimming commands from computers, scene controllers and automatic control devices.



Mounting Methods



Dimensions



Job Information

Type:

Job Name:

Cat. No.:

Lamp(s):

Volts/Ballast:

Lightolier a Genlyte Thomas Company www.lightolier.com
 Technical Information: (978) 657-7600 • Fax (978) 658-0595
 631 Airport Road, Fall River, MA 02720 • (508) 679-8131 • Fax (508) 674-4710
 We reserve the right to change details of design, materials and finish.
 Copyright 2003 Lightolier **Section 2/Folio G07-10**



Lytecel Recessed Fluorescent LIS9G12PR132

Page 2 of 2

9" x 48", 12 Cell (1 Row) Parabolic Louver, Static or Air Supply/Return, 1 Lamp T8 IES RP1 For VDT Areas

Photometry

Model No. LIS9G12PR132120S0

LER = FP - 53.2 IW - 32 BF - 0.92

Comparative yearly lighting energy cost per 1000 lumens = \$4.51

TESTING LABORATORY
45 Industrial Way
Wilmington, MA 01887
(978) 657-7600

REPORT NO.: G02090 DATE: 12-17-2002
CATALOG NO.: LIS9G12PR132120S0
LAMP(S): 1 F32/T8 T841, RATED 2850 LUMENS
LUMINAIRE: 9X48 WITH SPECULAR 12 CELL LOUVER, RP1 COMPLIANT
TRIAD B2321120
0.31 AMPS 34.7 WATTS

CANDELA DISTRIBUTION

	0.0	22.5	45.0	67.5	90.0
0	908	908	908	908	908
5	900	925	959	978	983
15	854	929	997	1093	1135
25	756	872	1073	1133	1153
35	637	829	957	1057	1049
45	448	621	584	363	246
55	47	92	93	42	13
65	3	6	5	9	5
75	3	3	3	3	2
85	2	2	2	2	2
90	0	0	0	0	0

ZONAL LUMEN SUMMARY

ZONE	LUMENS	%LAMP	%FIXT
0- 30	842	29.6	45.3
0- 40	1410	49.5	75.8
0- 60	1847	64.8	99.4
0- 90	1859	65.2	100.0
90-180	0	0.0	0.0
0-180	1859	65.2	100.0

TOTAL LUMINAIRE EFFICIENCY = 65.2 %
TOTAL REFLECTANCE OF PAINT = 90.0 %
CIE TYPE - DIRECT : 0-DEG 90-DEG
PLANE : 0-DEG 90-DEG
SPACING CRITERIA : 1.2 1.5
SHIELDING ANGLES : 55 55
PLANE : 0-DEG 90-DEG
LUMINOUS LENGTH : 45.960 6.480

LUMINANCE DATA IN CANDELA/FOOT M
ANGLE AVERAGE AVERAGE AVERAGE
IN DEG 0-DEG 45-DEG 90-DEG
45 3296. 4297. 1810.
55 426. 844. 118.
65 62. 62. 62.
75 60. 60. 40.
85 119. 119. 119.

THIS REPORT IS BASED ON PUBLISHED INDUSTRY PROCEDURES - FIELD PERFORMANCE MAY VARY FROM LABORATORY PERFORMANCE.

coefficients of utilization — zonal cavity method

room cavity ratio	20			20			20		
	RF	RC	RW	RF	RC	RW	RF	RC	RW
1	73	71	69	67	66	65	65	64	63
2	69	65	62	62	59	57	60	58	56
3	64	59	56	57	54	51	55	53	50
4	60	54	50	52	49	46	51	48	45
5	56	50	45	48	44	41	47	43	41
6	53	46	41	44	40	37	43	40	37
7	49	42	37	41	37	34	40	36	34
8	46	39	34	38	34	31	37	33	31
9	43	36	31	35	31	28	34	31	28
10	41	33	29	32	29	26	32	28	26

visual comfort probability

room size		ceiling height				ceiling height			
W	L	8.5	10.0	13.0	16.0	8.5	10.0	13.0	16.0
20	20	92	95	93	82	99	98	97	92
20	30	93	95	93	83	99	98	97	94
20	40	93	95	93	83	99	98	98	94
20	60	95	96	93	83	99	98	98	94
30	20	93	95	94	85	99	98	97	93
30	30	93	95	93	86	99	98	98	94
30	40	93	95	93	86	99	98	98	94
30	60	96	96	94	86	99	98	98	94
30	80	96	97	94	86	99	98	98	94
40	20	93	95	94	86	99	98	98	93
40	30	93	95	93	86	99	98	98	94
40	40	93	95	94	86	99	98	98	94
40	60	96	96	94	86	99	98	98	94
40	80	97	97	94	86	99	98	98	94
40	100	97	97	94	86	99	98	98	94
60	30	93	95	94	86	99	98	98	94
60	40	93	95	94	86	99	98	98	94
60	60	95	96	94	86	99	98	98	94
60	80	97	97	94	87	99	98	98	94
60	100	96	97	95	87	99	98	98	94
100	40	93	95	94	86	99	98	98	94
100	60	97	96	94	87	99	98	98	94
100	80	97	97	93	87	98	98	98	94
100	100	96	97	93	87	98	98	98	95

Ordering Information

Explanation of Catalog Number. Example: LIS9G12PR132120S0GLR

Blank = Standard N = NYC Code	LI Body Style: A=Air Handling S=Static L: Anodized Aluminum Louver for VDT use	9 Fixture Width	12 Ceiling Type: G= Grid (lay-in T bar) T=Slot grid or two-directional concealed T (see options) Number of Cells: 1 row of 12 cells	R Louver Finish: P=Low Iridescence Specular L=Low Iridescence Semi-specular	1 Lamp Quantity	32 Lamp Fixture Length: 32-T8 (Nominal 48")	Voltage: 120 or 277	Ballast type: <20THD SO* <10THD HI*	Options: Add appropriate suffix to catalog no, ie: (GLR)
----------------------------------	--	------------------------------	--	---	------------------------------	--	------------------------	--	---

Reflector:
R= Semi-Specular
95%
Reflective

1 Lamp Elec. T8
*Instant Start Standard
Other dimming options, consult factory.

DA=DALI digital addressable dimming.

Options/Accessories

Access Plate: Top Wiring access plate is shipped with fixture as standard. When access plates are required in advance for wiring convenience, specify separately.

Order Catalog Number: **ACP5 CSP**

Electrical/Wiring Options: Consult factory.

Fusing: Internal fast-blow fusing. Suffix: **GLR**.

Internal slow-blow fusing. Suffix: **GMF**.

Air Closure Strips: Suffix: **ACS4** (factory installed).

Drywall Kit: Order Catalog Number: **FK99X4**.

Chicago Plenum: Suffix: **CP**.

Specifications

Performance: In an installation of 1 lamp 32W luminaires in a room cavity ratio of 1, reflectance 80% ceiling, 50% wall, 20% floor, the C.U. shall not be less than .70 with a spacing to mounting ratio of 1.9 perpendicular to the lamps. To meet IES RP-1 for VDT areas the VCP (visual comfort probability) shall not be less than 96 either crosswise or lengthwise and the candela value between 55° and 90° in the 0° to 90° planes shall not exceed 195. Candelas at Nadir (0°) not to exceed 525.

Air handling: (LIA only) side air passages for air supply or air return. Optional side closure strips.

Specifications (continued)

Materials: Chassis parts are die-formed cold rolled steel. Housing is with all edges turned-in for safe handling.

Louver: Pre-anodized aluminum (Coilzak® or equal).

Finish: Louver—specular low iridescence pre-anodized reflector sheet.

Reflector: Semi-Specular reflector sheet, 95% reflective. **Chassis exterior**—black baked polyester enamel.

Electrical: Thermally protected class "P" ballast C.B.M. approved, non PCB. If K.O. is within 3" of ballast, use wire suitable for at least 90°.

Labels: I.B.E.W./UL and ULc Listed.

Job Information

Type:

Lightolier a Genlyte Thomas Company www.lightolier.com
Technical Information: (978) 657-7600 • Fax (978) 658-0595
631 Airport Road, Fall River, MA 02720 • (508) 679-8131 • Fax (508) 674-4710
We reserve the right to change details of design, materials and finish.
Copyright 2003 Lightolier Section2/Folio G07-10

LIGHTOLIER®

Free Manuals Download Website

<http://myh66.com>

<http://usermanuals.us>

<http://www.somanuals.com>

<http://www.4manuals.cc>

<http://www.manual-lib.com>

<http://www.404manual.com>

<http://www.luxmanual.com>

<http://aubethermostatmanual.com>

Golf course search by state

<http://golfingnear.com>

Email search by domain

<http://emailbydomain.com>

Auto manuals search

<http://auto.somanuals.com>

TV manuals search

<http://tv.somanuals.com>