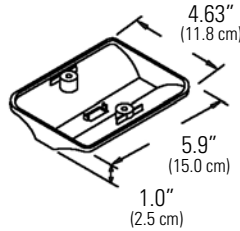
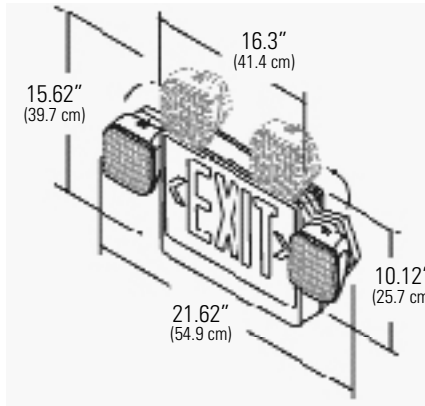


The LLC Series Thermoplastic Combination Emergency Exit is a compact sign that is suitable for wall or ceiling mounting. Integral, adjustable lamps provide efficient emergency lighting, while the LED exit face provides even, highly visible illumination and direction toward egress areas.



Complete Fixture consists of base exit sign.

How to Specify:

<div style="border: 1px solid black; padding: 2px; display: inline-block;">LLC2</div> SERIES	<div style="border: 1px solid black; width: 30px; height: 15px; display: inline-block;"></div> FACES	<div style="border: 1px solid black; width: 30px; height: 15px; display: inline-block;"></div> LETTER COLOR	<div style="border: 1px solid black; width: 30px; height: 15px; display: inline-block;"></div> STENCIL FACE/ HOUSING COLOR
LLC2 = LLC Series II Combo Emergency Exit	U = Universal	R = Red G = Green	W = White B = Black

Features

- 1. Illumination:** Emergency illumination is provided by two fully adjustable glare-free square shape lamp heads. The standard lamp reflector system incorporates a high intensity 5.4W, T-5 wedge base tungsten lamp. Illumination of the exit face is accomplished with long lasting, high output Light Emitting Diodes (LEDs). LEDs and support electronics have an expected life of 25 years. Powers additional remote heads (up to 6V 12W) with additional battery option (catalog #: 12R).
- 2. Housing:** Constructed of impact resistant, UL 94 V-0, 5 VA white or black thermoplastic. NFPA-type field selectable chevrons can be installed/removed from outside the exit housing. Innovative, snap-together housing design allows for fast installation. Can be wall or ceiling mounted. Housing snaps to canopy with simple twist and locking tightly secure housing to canopy.
- 3. Electronics:** 120/277 VAC dual voltage input with surge-protected, solid-state circuitry. Charging system is complete with low voltage disconnect, AC lockout, brownout protection, AC indicator lamp and test switch.
- 4. Battery:** Maintenance free, sealed lead calcium battery has an estimated service life of 5 years, and an operating temperature range of 65°F (19°C) to 85°F (30°C).
- 5. Input Power Requirements:**
 - Red = .027A (120 VAC)
 - .012A (277 VAC)
 - Green = .030A (120 VAC)
 - .013A (277 VAC)

Code Compliance

UL 924 listed for damp locations

Warranty

Three year full electronics warranty
One year full plus four year pro-rated lead calcium battery warranty

Options

SD = Self-Diagnostics (Not available with 12R option; White finish only)
12R = 12W Remote Capability* (White finish only)

* For Remote Lamp Heads see RH specification sheet

Job Information	Type:
Job Name:	
Cat. No.:	
Lamp(s):	
Notes:	

631 Airport Road, Fall River, MA 02720 • (508) 679-8131 • Fax (508) 674-4710
We reserve the right to change details of design, materials and finish.
www.lightolier.com © 2008 Philips Group • D0308

Free Manuals Download Website

<http://myh66.com>

<http://usermanuals.us>

<http://www.somanuals.com>

<http://www.4manuals.cc>

<http://www.manual-lib.com>

<http://www.404manual.com>

<http://www.luxmanual.com>

<http://aubethermostatmanual.com>

Golf course search by state

<http://golfingnear.com>

Email search by domain

<http://emailbydomain.com>

Auto manuals search

<http://auto.somanuals.com>

TV manuals search

<http://tv.somanuals.com>