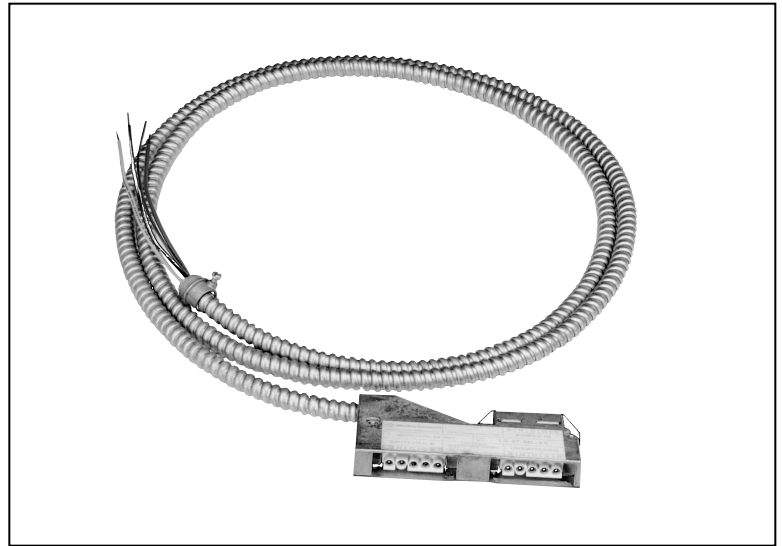
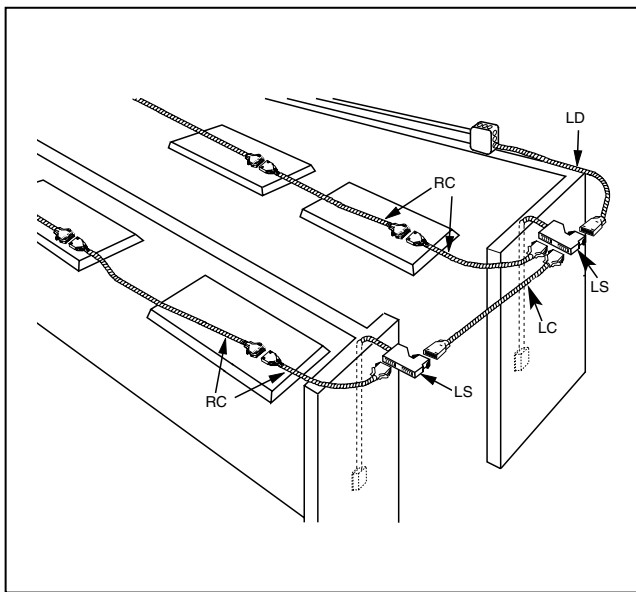


FEATURES

- Unit is low profile, 5-5/8" x 3-1/8" x 13/16".
- Die cast housing with zinc plated steel cover plate.
- Internal wires are #12 AWG THHN stranded copper, 600 volt, plus a bare #12 AWG solid tinned copper ground conductor.
- Switch leg conductors are #12 AWG THHN solid tinned copper ground conductor.
- 6 inch tap leads.
- 1/2" K.O. connector for mounting to junction box.
- I.B.E.W. UL and C-UL Labeled.

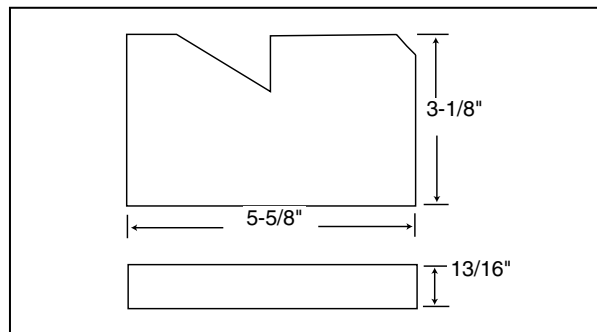


APPLICATION



The single-level, multi-level, two circuit and single-level first 3-way switching units provide power-in/power-out and switched power-out for local line voltage lighting control. The second 3-way and 4-way switching units provide switched power-in and switched power-out only for local line voltage lighting control.

DIMENSIONS



Job Information

Type:

Job Name:

Cat. No.:

Lamp(s):

Volts/Ballast:

Lightolier a Genlyte Thomas Company

www.lightolier.com

Technical Information: (978) 657-7600 • Fax (978) 658-0595

631 Airport Road, Fall River, MA 02720 • (508) 679-8131 • Fax (508) 674-4710

We reserve the right to change details of design, materials and finish.

© 2002 Genlyte Thomas Group LLC (Lightolier Division)

A0902

OPTIONS/ACCESSORIES/Folio OA40-15

Free Manuals Download Website

<http://myh66.com>

<http://usermanuals.us>

<http://www.somanuals.com>

<http://www.4manuals.cc>

<http://www.manual-lib.com>

<http://www.404manual.com>

<http://www.luxmanual.com>

<http://aubethermostatmanual.com>

Golf course search by state

<http://golfingnear.com>

Email search by domain

<http://emailbydomain.com>

Auto manuals search

<http://auto.somanuals.com>

TV manuals search

<http://tv.somanuals.com>